
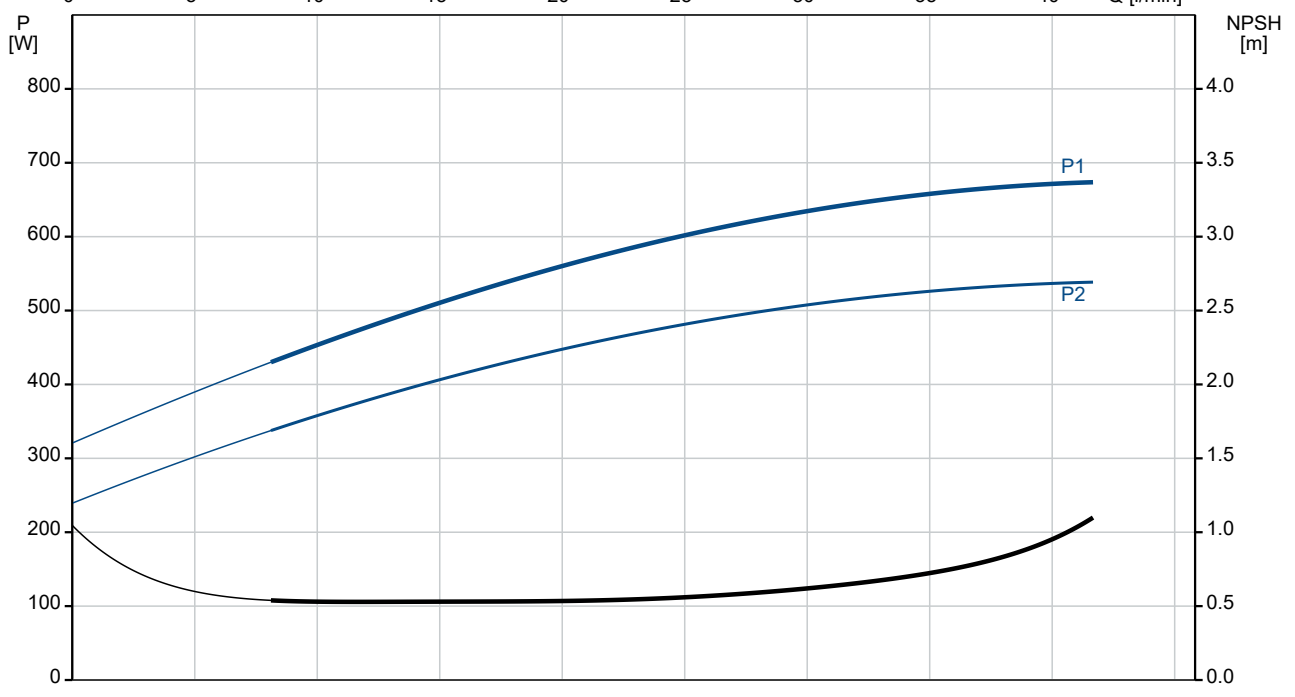
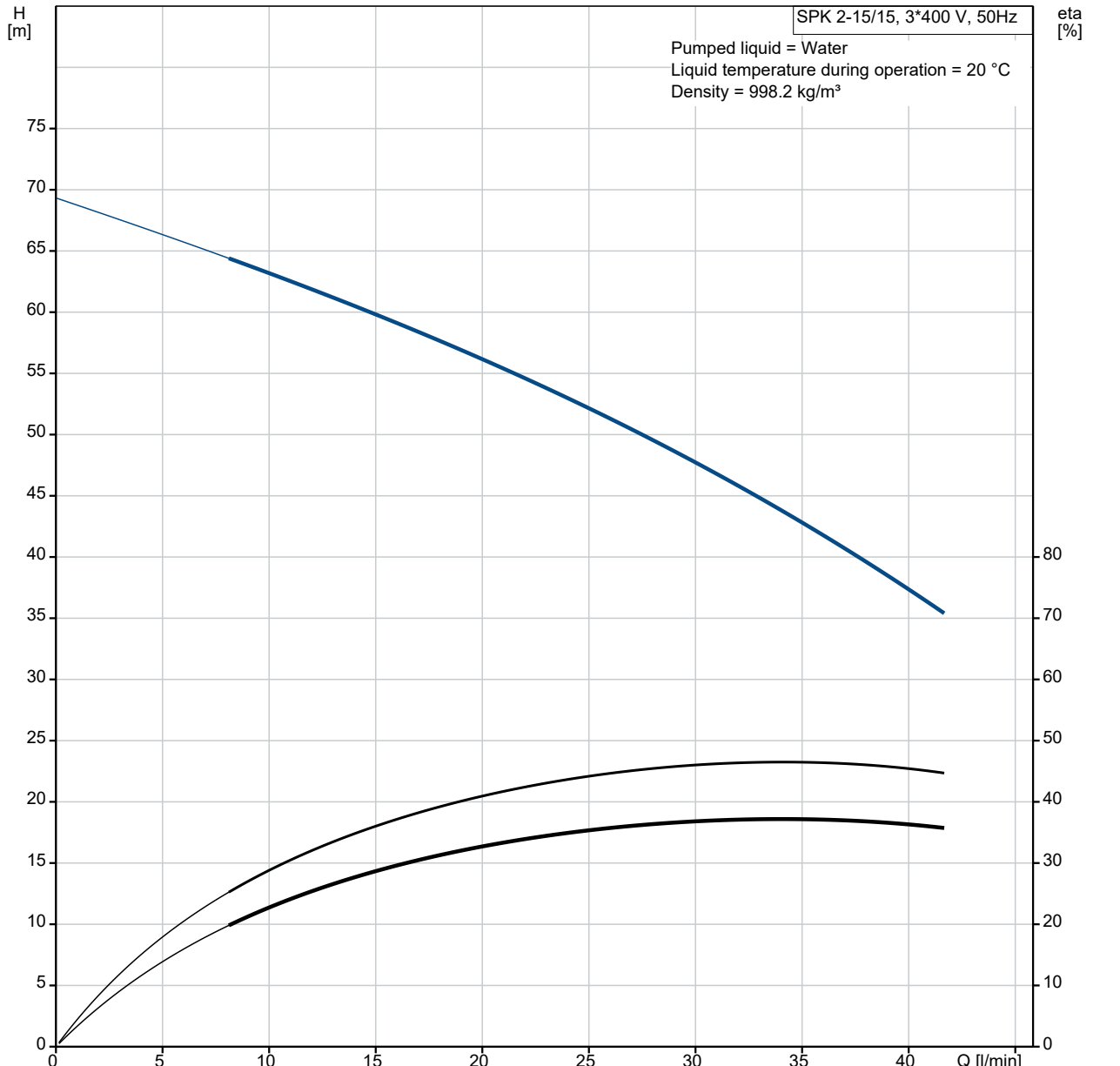


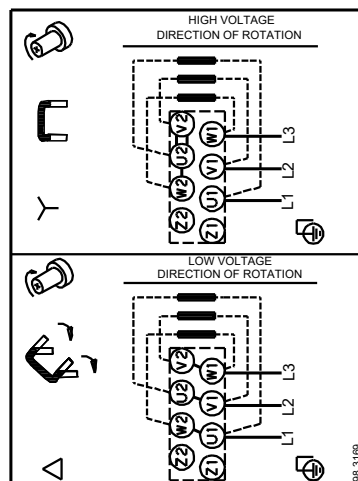
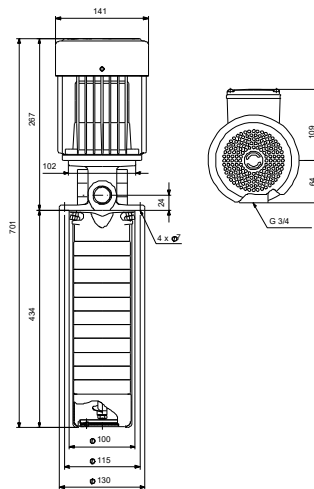
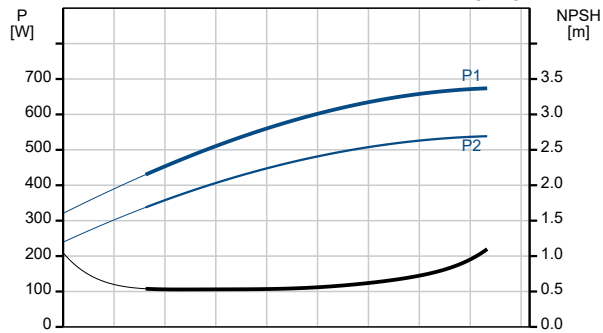
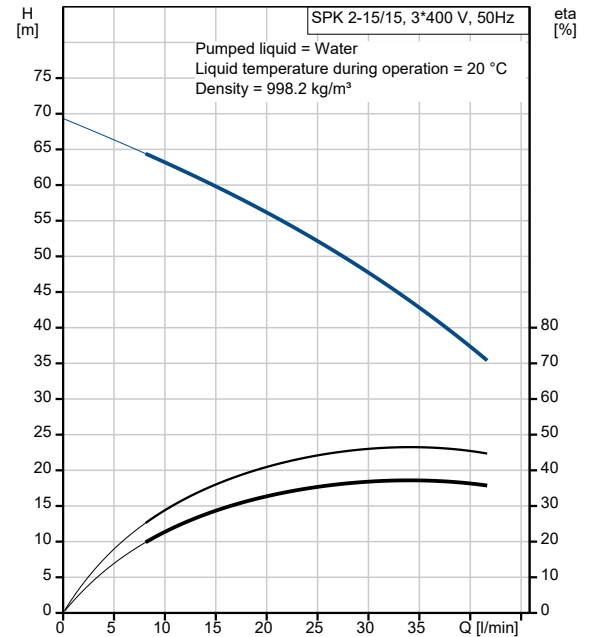
Qty.	Description
1	<b>SPK 2-15/15 A-W-A-AUUV</b>
	
	<p><b>Note! Product picture may differ from actual product</b></p>
	<p>Product No.: On request  Multistage, immersible, self-priming, centrifugal pump for vertical and horizontal installation in tanks etc.</p>
	<p>The pump has the following characteristics:</p> <ul style="list-style-type: none"> <li>- Installation length according to DIN 5440.</li> <li>- Impellers, intermediate chambers and spline shaft are made of stainless steel and motor stool of GG 20.</li> <li>- Mechanical shaft seal according to EN 12756.</li> <li>- Power transmission via cast iron split coupling.</li> </ul>
	<p>The motor is a 3-phase AC motor.  Immersion depth: 434 mm</p>
	<p>Liquid:  Pumped liquid: Water  Liquid temperature range: -10 .. 90 °C  Selected liquid temperature: 20 °C  Density: 998.2 kg/m<sup>3</sup></p>
	<p>Technical:  Pump speed on which pump data are based: 2856 rpm  Rated flow: 33.3 l/min  Rated head: 43.4 m  Primary shaft seal: AUUV  Curve tolerance: ISO9906:2012 3B  Drain holes: Open drain hole</p>
	<p>Materials:  Pump head: Cast iron  EN-GJL-200  ASTM 25B  Impeller: Stainless steel  DIN W.-Nr. 1.4301  AISI 304</p>
	<p>Installation:  t max amb: 60 °C  Pipe connection: G 3/4  Flange size for motor: FT85</p>
	<p>Electrical data:  Motor type: 71B  IE Efficiency class: IE3  Rated power - P2: 0.55 kW  Power (P2) required by pump: 0.55 kW  Mains frequency: 50 Hz  Rated voltage: 3 x 220-240D/380-415Y V  Rated current: 2.50/1.44 A  Starting current: 580-620 %  Cos phi - power factor: 0.80-0.70  Rated speed: 2830-2850 rpm</p>

Qty.	Description
1	<p>Efficiency: IE3 77,8%</p> <p>Motor efficiency at full load: 77.8 %</p> <p>Motor efficiency at 3/4 load: 81.5 %</p> <p>Motor efficiency at 1/2 load: 79.5 %</p> <p>Number of poles: 2</p> <p>Enclosure class (IEC 34-5): 55 Dust/Jetting</p> <p>Insulation class (IEC 85): F</p> <p>Motor No: 85805103</p> <p>Others:</p> <p>Minimum efficiency index, MEI ≥: N/A</p> <p>Net weight: 13.6 kg</p> <p>Gross weight: 14.9 kg</p> <p>Country of origin: HU</p> <p>Custom tariff no.: 84137075</p>

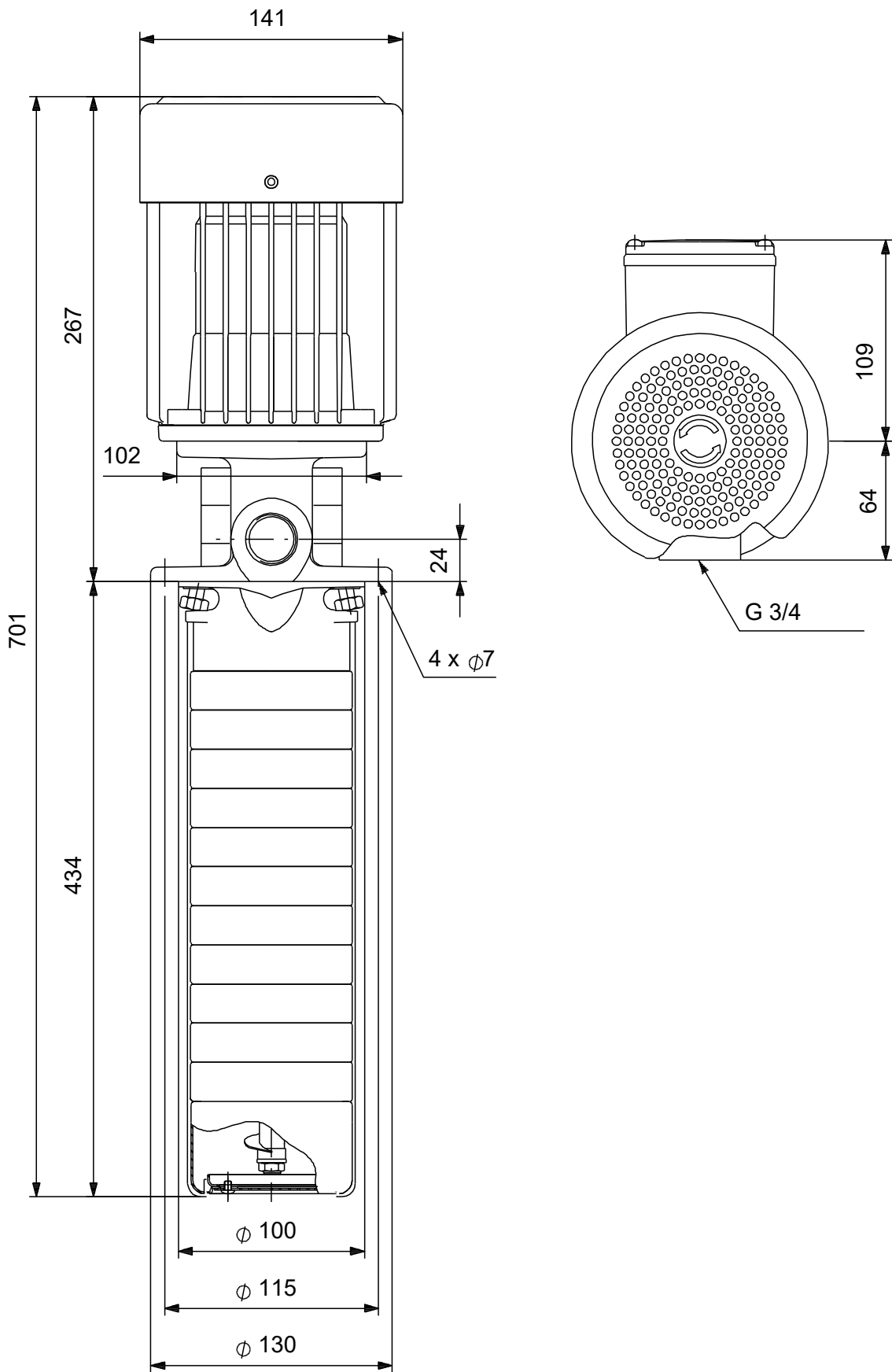
# On request SPK 2-15/15 A-W-A-AUUV 50 Hz



Description	Value
<b>General information:</b>	
Product name:	SPK 2-15/15 A-W-A-AUUV
Product No:	On request
EAN number:	On request
<b>Technical:</b>	
Pump speed on which pump data are based:	2856 rpm
Rated flow:	33.3 l/min
Rated head:	43.4 m
Stages:	15
Impellers:	15
Primary shaft seal:	AUUV
Curve tolerance:	ISO9906:2012 3B
Pump version:	A
Model:	E
Drain holes:	Open drain hole
<b>Materials:</b>	
Pump head:	Cast iron
Pump head:	EN-GJL-200
Pump head:	ASTM 25B
Impeller:	Stainless steel
Impeller:	DIN W.-Nr. 1.4301
Impeller:	AISI 304
Material code:	A
<b>Installation:</b>	
t max amb:	60 °C
Pipe connection:	G 3/4
Flange size for motor:	FT85
Connect code:	W
<b>Liquid:</b>	
Pumped liquid:	Water
Liquid temperature range:	-10 .. 90 °C
Selected liquid temperature:	20 °C
Density:	998.2 kg/m <sup>3</sup>
<b>Electrical data:</b>	
Motor type:	71B
IE Efficiency class:	IE3
Rated power - P2:	0.55 kW
Power (P2) required by pump:	0.55 kW
Mains frequency:	50 Hz
Rated voltage:	3 x 220-240D/380-415Y V
Rated current:	2.50/1.44 A
Starting current:	580-620 %
Cos phi - power factor:	0.80-0.70
Rated speed:	2830-2850 rpm
Efficiency:	IE3 77,8%
Motor efficiency at full load:	77.8 %
Motor efficiency at 3/4 load:	81.5 %
Motor efficiency at 1/2 load:	79.5 %
Number of poles:	2
Enclosure class (IEC 34-5):	55 Dust/Jetting
Insulation class (IEC 85):	F
Built-in motor protection:	NONE
Motor No:	85805103
<b>Others:</b>	
Minimum efficiency index, MEI ≥:	N/A
Net weight:	13.6 kg
Gross weight:	14.9 kg
Country of origin:	HU
Custom tariff no.:	84137075

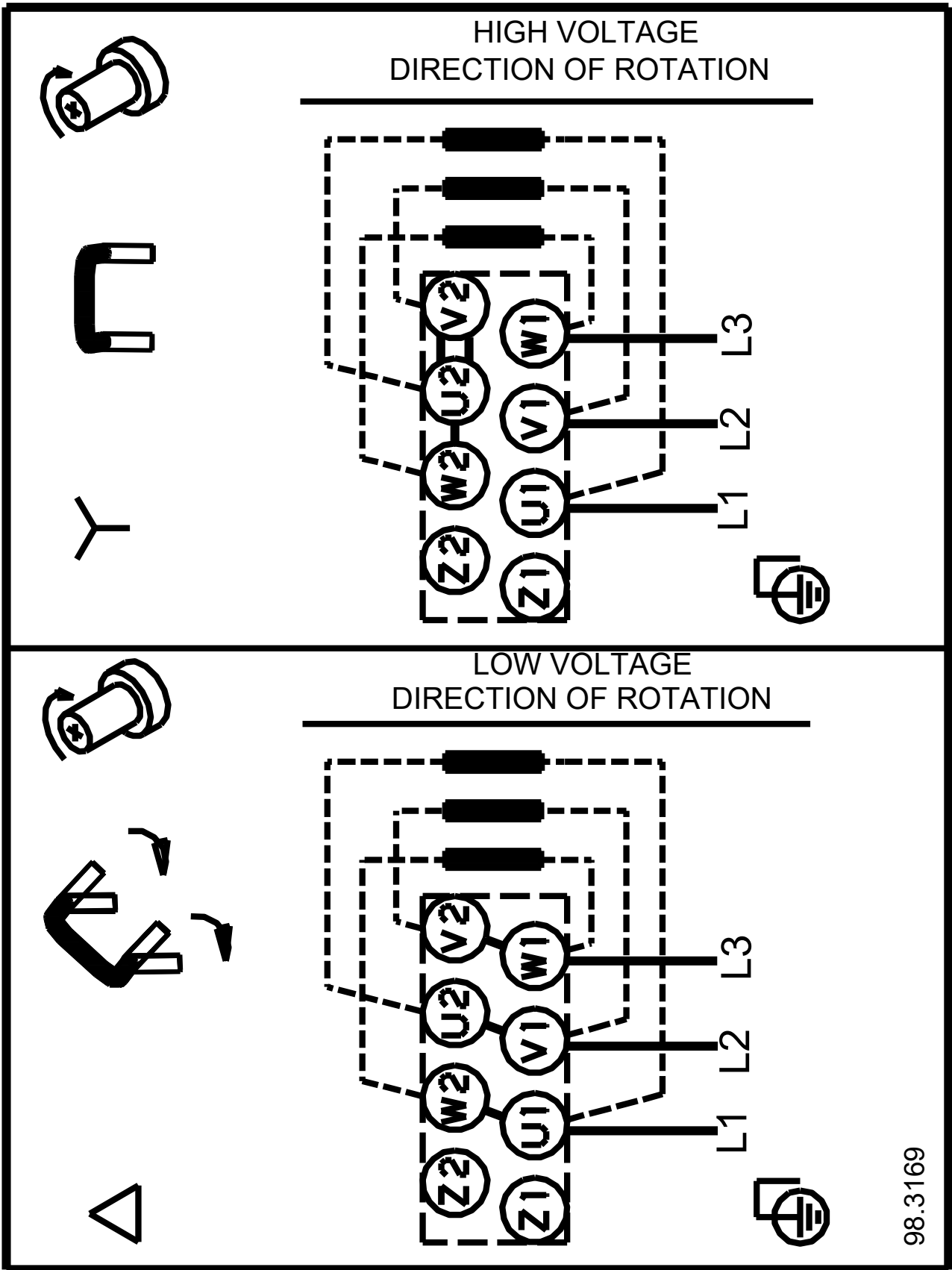


# On request SPK 2-15/15 A-W-A-AUUV 50 Hz



Note! All units are in [mm] unless others are stated.  
Disclaimer: This simplified dimensional drawing does not show all details.

On request SPK 2-15/15 A-W-A-AUUV 50 Hz



98.3169

Note! All units are in [mm] unless others are stated.

**Order Data:**

Position	Your pos.	Product name	Amount	Product No	Total
		SPK 2-15/15	1	On request	Price on request