
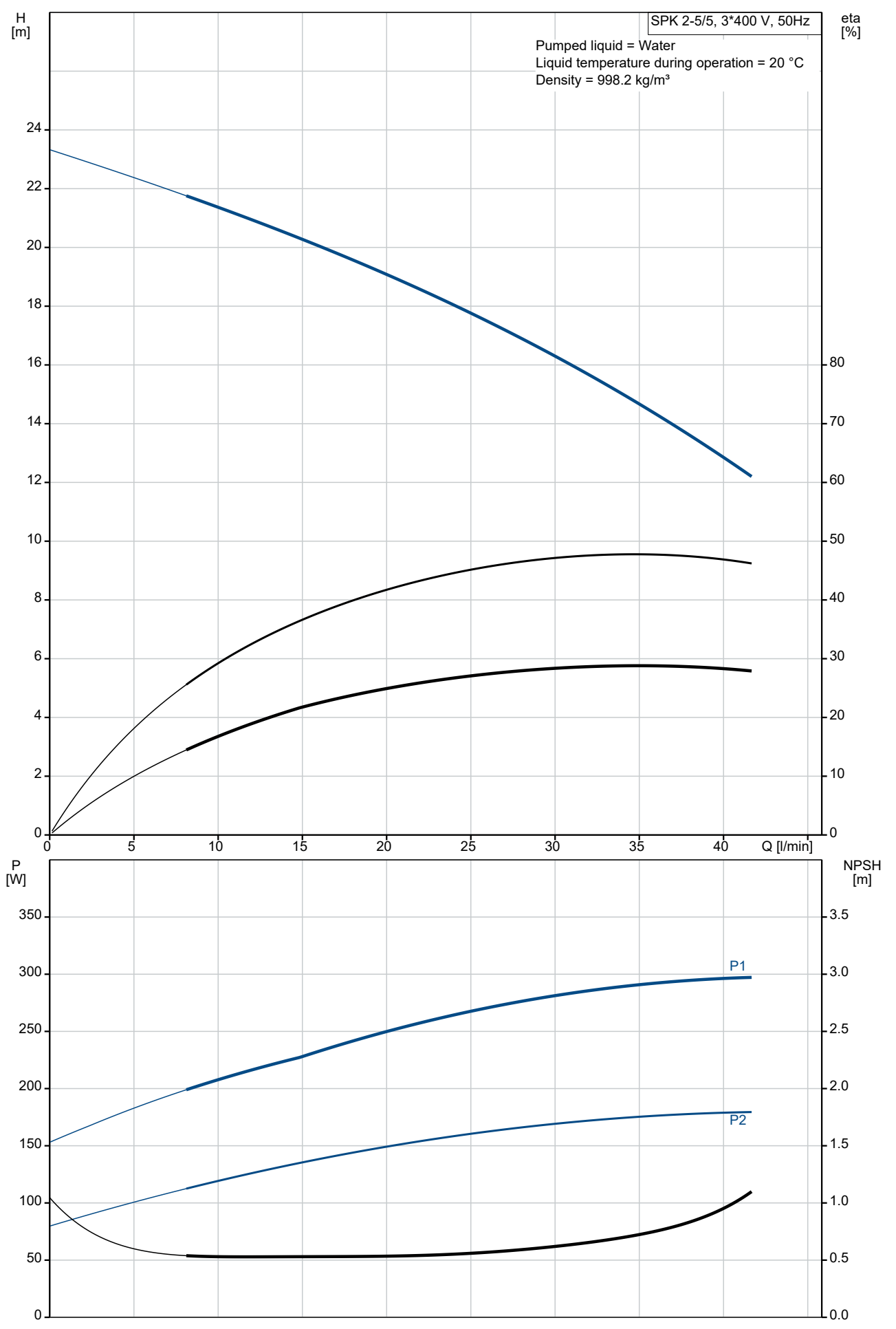


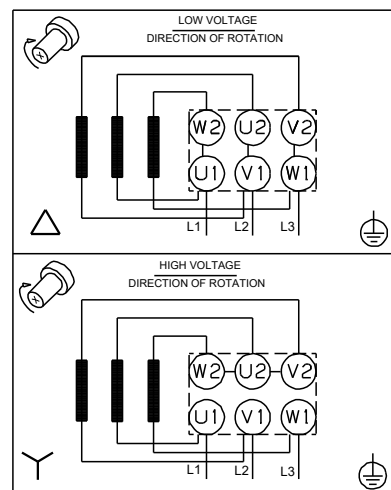
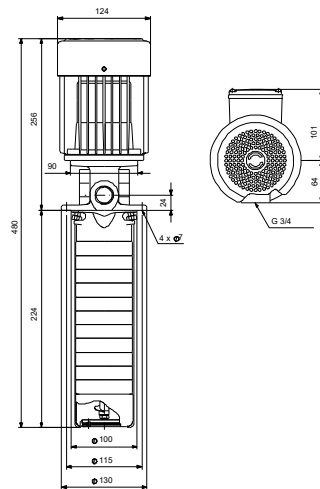
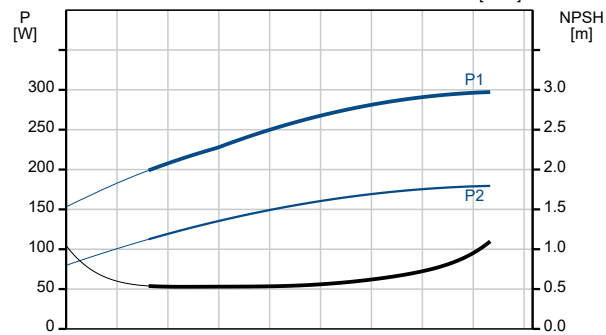
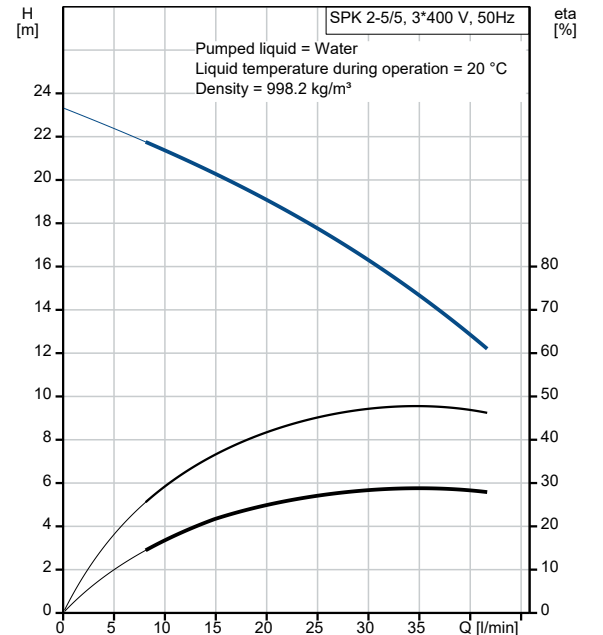
Qty.	Description
1	<p data-bbox="199 159 472 188"><b>SPK 2-5/5 A-W-A-AUUV</b></p>  <p data-bbox="592 506 1062 528"><b>Note! Product picture may differ from actual product</b></p> <p data-bbox="199 539 707 651">Product No.: On request Multistage, immersible, self-priming, centrifugal pump for vertical and horizontal installation in tanks etc.</p> <p data-bbox="199 685 667 714">The pump has the following characteristics:</p> <ul data-bbox="240 719 1390 831" style="list-style-type: none"> <li>- Installation length according to DIN 5440.</li> <li>- Impellers, intermediate chambers and spline shaft are made of stainless steel and motor stool of GG 20.</li> <li>- Mechanical shaft seal according to EN 12756.</li> <li>- Power transmission via cast iron split coupling.</li> </ul> <p data-bbox="199 864 568 893">The motor is a 3-phase AC motor.</p> <p data-bbox="199 898 655 927">Immersion depth: 224 mm</p> <p data-bbox="199 954 276 983">Liquid:</p> <p data-bbox="199 987 632 1016">Pumped liquid: Water</p> <p data-bbox="199 1021 691 1050">Liquid temperature range: -10 .. 90 °C</p> <p data-bbox="199 1055 632 1084">Selected liquid temperature: 20 °C</p> <p data-bbox="199 1088 695 1117">Density: 998.2 kg/m<sup>3</sup></p> <p data-bbox="199 1144 312 1173">Technical:</p> <p data-bbox="199 1178 818 1207">Pump speed on which pump data are based: 2825 rpm</p> <p data-bbox="199 1211 671 1240">Rated flow: 33.3 l/min</p> <p data-bbox="199 1245 639 1274">Rated head: 14.2 m</p> <p data-bbox="199 1279 632 1308">Primary shaft seal: AUUV</p> <p data-bbox="199 1312 759 1341">Curve tolerance: ISO9906:2012 3B</p> <p data-bbox="199 1346 738 1375">Drain holes: Open drain hole</p> <p data-bbox="199 1402 312 1431">Materials:</p> <p data-bbox="199 1435 703 1498">Pump head: Cast iron EN-GJL-200 ASTM 25B</p> <p data-bbox="199 1503 764 1588">Impeller: Stainless steel DIN W.-Nr. 1.4301 AISI 304</p> <p data-bbox="199 1626 328 1655">Installation:</p> <p data-bbox="199 1659 632 1688">t max amb: 40 °C</p> <p data-bbox="199 1693 632 1722">Pipe connection: G 3/4</p> <p data-bbox="199 1727 632 1756">Flange size for motor: FT75</p> <p data-bbox="199 1783 360 1812">Electrical data:</p> <p data-bbox="199 1816 675 1845">Motor type: SIEMENS</p> <p data-bbox="199 1850 604 1879">IE Efficiency class: IE2</p> <p data-bbox="199 1883 655 1912">Rated power - P2: 0.18 kW</p> <p data-bbox="199 1917 655 1946">Power (P2) required by pump: 0.18 kW</p> <p data-bbox="199 1951 632 1980">Mains frequency: 50 Hz</p> <p data-bbox="199 1984 815 2013">Rated voltage: 3 x 220-240/380-415 V</p> <p data-bbox="199 2018 802 2047">Rated current: 0,94-0,96/0,55-0,56 A</p> <p data-bbox="199 2051 684 2080">Starting current: 450-450 %</p> <p data-bbox="199 2085 616 2114">Cos phi - power factor: 0.78</p> <p data-bbox="199 2119 671 2148">Rated speed: 2850 rpm</p>

Qty.	Description
1	<p>Efficiency: IE2 60,4%</p> <p>Motor efficiency at full load: 60.4-60.4 %</p> <p>Motor efficiency at 3/4 load: 59.4-59.4 %</p> <p>Motor efficiency at 1/2 load: 53.7-53.7 %</p> <p>Number of poles: 2</p> <p>Enclosure class (IEC 34-5): IP55</p> <p>Insulation class (IEC 85): F</p> <p>Motor No: 99995094</p> <p>Others:</p> <p>Minimum efficiency index, MEI ≥: N/A</p> <p>Net weight: 9.3 kg</p> <p>Gross weight: 10.6 kg</p> <p>Country of origin: HU</p> <p>Custom tariff no.: 84137075</p>

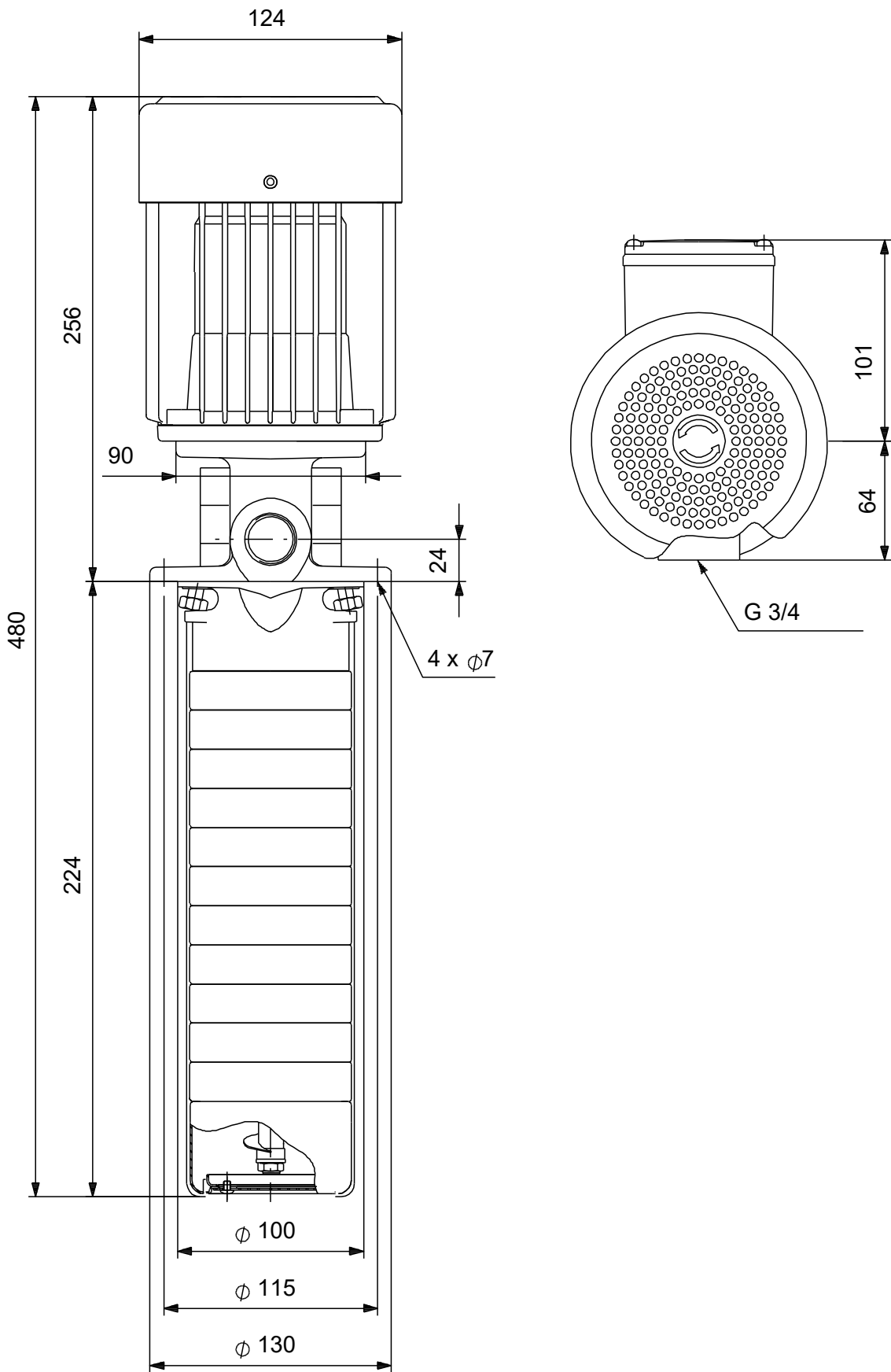
# On request SPK 2-5/5 A-W-A-AUUV 50 Hz



Description	Value
<b>General information:</b>	
Product name:	SPK 2-5/5 A-W-A-AUUV
Product No:	On request
EAN number:	On request
<b>Technical:</b>	
Pump speed on which pump data are based:	2825 rpm
Rated flow:	33.3 l/min
Rated head:	14.2 m
Stages:	5
Impellers:	5
Primary shaft seal:	AUUV
Curve tolerance:	ISO9906:2012 3B
Pump version:	A
Model:	E
Drain holes:	Open drain hole
<b>Materials:</b>	
Pump head:	Cast iron
Pump head:	EN-GJL-200
Pump head:	ASTM 25B
Impeller:	Stainless steel
Impeller:	DIN W.-Nr. 1.4301
Impeller:	AISI 304
Material code:	A
<b>Installation:</b>	
t max amb:	40 °C
Pipe connection:	G 3/4
Flange size for motor:	FT75
Connect code:	W
<b>Liquid:</b>	
Pumped liquid:	Water
Liquid temperature range:	-10 .. 90 °C
Selected liquid temperature:	20 °C
Density:	998.2 kg/m <sup>3</sup>
<b>Electrical data:</b>	
Motor type:	SIEMENS
IE Efficiency class:	IE2
Rated power - P2:	0.18 kW
Power (P2) required by pump:	0.18 kW
Mains frequency:	50 Hz
Rated voltage:	3 x 220-240/380-415 V
Rated current:	0,94-0,96/0,55-0,56 A
Starting current:	450-450 %
Cos phi - power factor:	0.78
Rated speed:	2850 rpm
Efficiency:	IE2 60,4%
Motor efficiency at full load:	60.4-60.4 %
Motor efficiency at 3/4 load:	59.4-59.4 %
Motor efficiency at 1/2 load:	53.7-53.7 %
Number of poles:	2
Enclosure class (IEC 34-5):	IP55
Insulation class (IEC 85):	F
Built-in motor protection:	NONE
Motor No:	99995094
<b>Others:</b>	
Minimum efficiency index, MEI ≥:	N/A
Net weight:	9.3 kg
Gross weight:	10.6 kg
Country of origin:	HU
Custom tariff no.:	84137075

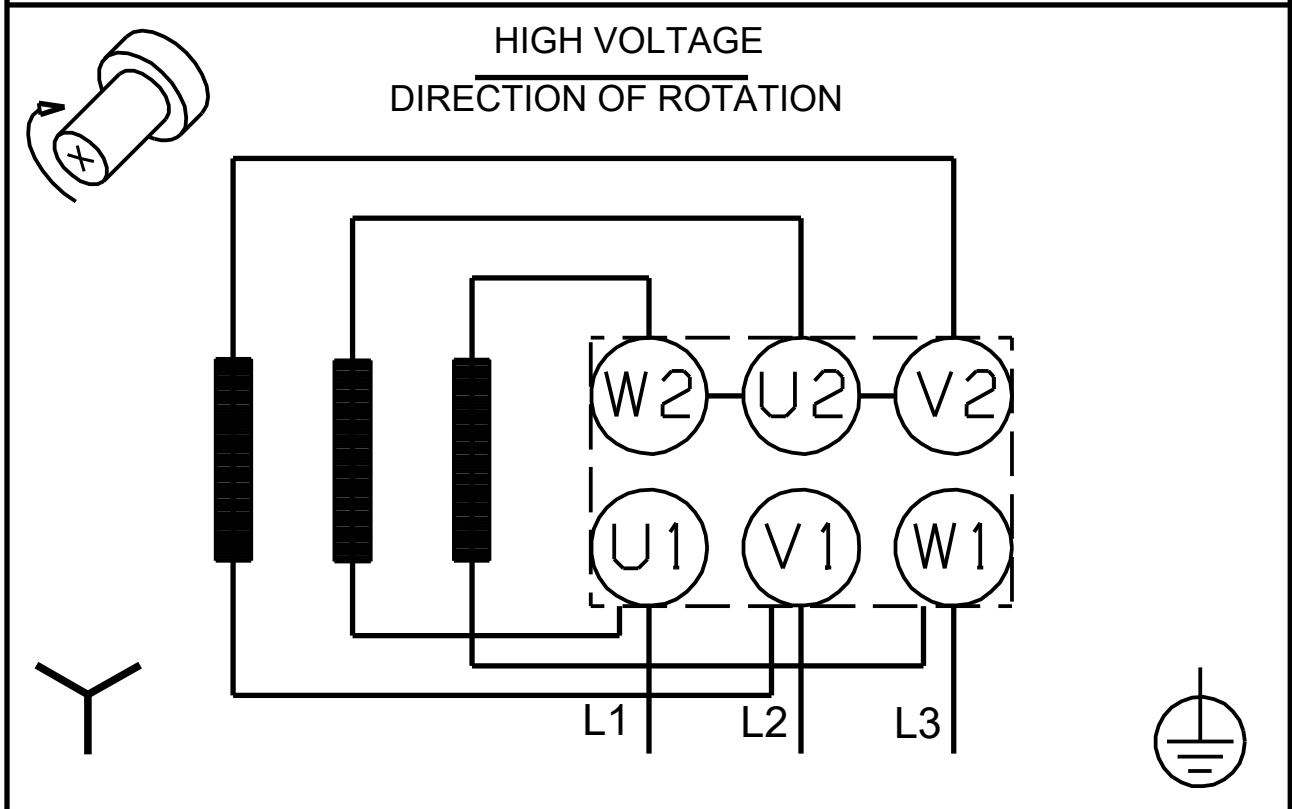
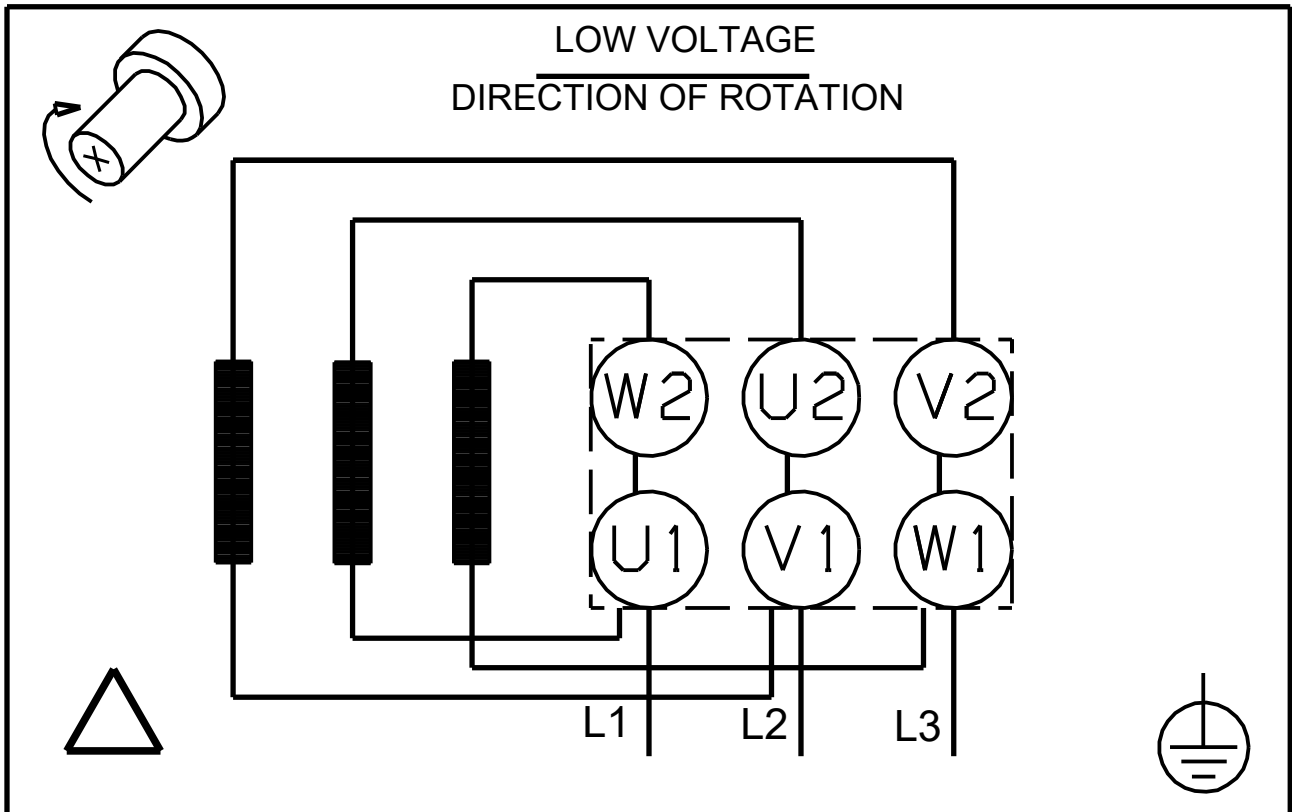


# On request SPK 2-5/5 A-W-A-AUUV 50 Hz



Note! All units are in [mm] unless others are stated.  
Disclaimer: This simplified dimensional drawing does not show all details.

**On request SPK 2-5/5 A-W-A-AUUV 50 Hz**



Note! All units are in [mm] unless others are stated.

