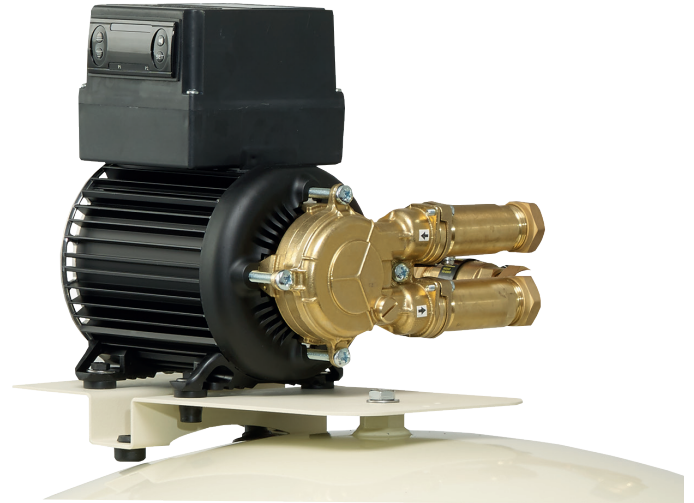


MAINSBOOST

Mainsboost Charger Pump – MJ3 Vessel Mounted

Where vertical space is not an issue the Mainsboost vessel mounted Charger pump may be the answer.

Mainsboost vessel mounted Charger pumps offers the same performance benefits as the wall mounted variant and can be used in conjunction with Mainsboost Steel vessels.



Features

- 5 year guarantee
- Boosts mains water pressure by 3.5 bar
- Compatible with Mainsboost vertical steel pressure vessels up to 450 litre capacity and horizontal steel vessels up to 250 litre capacity
- Vertical or horizontal vessel mounted
- Quiet operation
- WRAS approved product
- 22mm bypass
- Patent protected

Application

- For use in conjunction with Mainsboost steel vertical and horizontal vessels

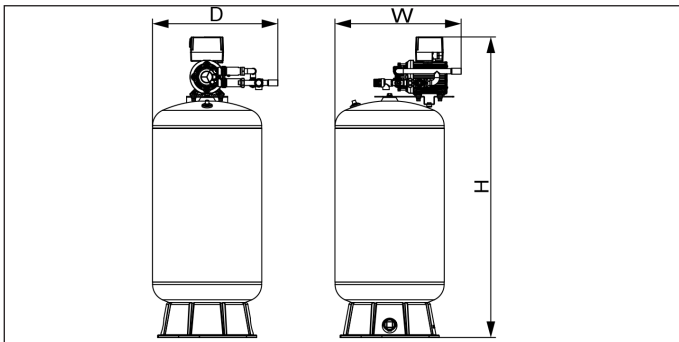
Options

- Horizontal or vertical Mainsboost vessel mount
- Pump sound attenuation cover

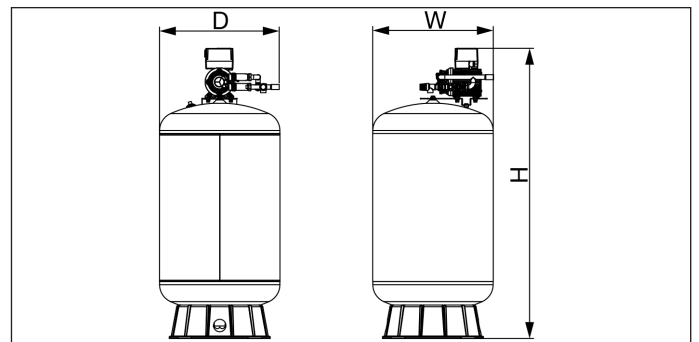
		MJ3 VM 41712	MJ3 HM 41729
General	Guarantee	5 years	
	WRAS approval	1501305	
	Approvals	WRAS, CE	
	System patent no.	2349908	
	Typical noise	From 50 dB(A)	
Features	Bypass	22 mm	
	Mounting	Vertical vessel	Horizontal vessel
	Pump type	Peripheral	
	Flexible hoses	2	
	Dry run protection	✓	✓
Materials	Pump body	Brass	
	Impeller	Brass	
	Mechanical seal	EPDM / PTFE / Al. Oxide	
Performance	Maximum head – closed valve	4.3 bar (43 metres)	
	Maximum working pressure*	600 kPa (6 bar)	
	Maximum ambient air temperature	40 °C	
	Min / Max operating temperature	Min 4 °C / Max 35 °C	
Connections	Pump connections	G ¾ male	
Flexible hoses	Connections	22 mm push-in x 22 mm push-in x 240 mm long	
Motor	Type	Induction (thermal trip/auto reset)	
	Duty rating	Continuous (S1)	
Electrical	Power supply (Vac/Ph/Hz)	230 V a.c. / 1 / 50 Hz	
	Power consumption – P1	398 Watts	
	Current – full load	1.8 Amps	
	Fuse rating	3 Amps	
	Power cable length	1.5 metres (pre-wired)	
Physical	Enclosure protection	IPX4	
	Pump Length**	200 mm	
	Pump Width*	203 mm	
	Pump Height – excluding hoses and bracket**	216 mm	
	Weight – including fittings	8.0 Kg	8.1 Kg

* The maximum pressure that can be applied to the system under any installation conditions.

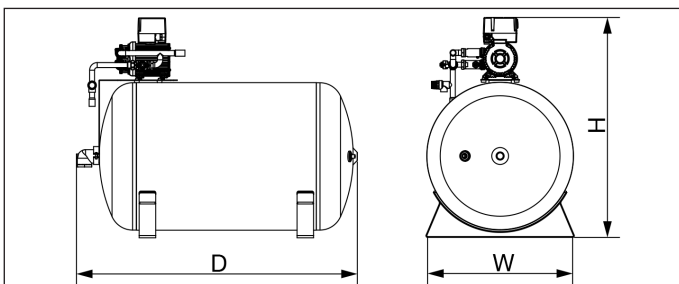
** See below for overall system dimensions when the MJ3 pump is fitted to a vertical or horizontal Mainsboost pressure vessel.



Model Description	Dim. 'H'	Dim. 'W'	Dim. 'D'
MB 100SV + MJ3 VM	1120 mm	440 mm	485 mm
MB 130SV + MJ3 VM	1335 mm	440 mm	485 mm



Model Description	Dim. 'H'	Dim. 'W'	Dim. 'D'
MB 200SV + MJ3 VM	1280 mm	535 mm	548 mm
MB 250SV + MJ3 VM	1455 mm	535 mm	548 mm
MB 300SV + MJ3 VM	1740 mm	535 mm	548 mm
MB 450SV + MJ3 VM	1775 mm	660 mm	660 mm



Model Description	Dim. 'H'	Dim. 'W'	Dim. 'D'
MB 200SH + MJ3 HM	795 mm	540 mm	1026 mm
MB 250SH + MJ3 HM	795 mm	540 mm	1206 mm

Stuart Turner Limited reserves the right to amend specifications without notice.