

## Data sheet

### Hydraulic data

|  |          |
|--|----------|
| Maximum operating pressure $P_N$                         | 10 bar   |
| Max. fluid temperature $T_{\max}$                        | 70 °C    |
| Min. fluid temperature $T_{\min}$                        | 2 °C     |
| Min. ambient temperature $T_{\min}$                      | 0 °C     |
| Max. ambient temperature $T_{\max}$                      | 40 °C    |
| Temperature range at max. ambient temperature +40 °C $T$ | +2...+70 |

### Motor data

|                                |                     |
|--------------------------------|---------------------|
| Mains connection               | 1~230 V, 50/60 Hz   |
| Rated power $P_2$              | 0,02 kW             |
| Rated current $I_N$            | 0,26 A              |
| Min. speed $n_{\min}$          | 1200 1/min          |
| Max. speed $n_{\max}$          | 3500 1/min          |
| Power consumption $P_{1 \min}$ | 3 W                 |
| Power consumption $P_{1 \max}$ | 25 W                |
| Interference emission          | EN 61000-6-3        |
| Interference immunity          | EN 61000-6-2        |
| Electromagnetic compatibility  | EN 61800-3          |
| Insulation class               | F                   |
| Protection class motor         | IPX4D               |
| Speed control                  | Frequency converter |
| Motor protection               | no                  |

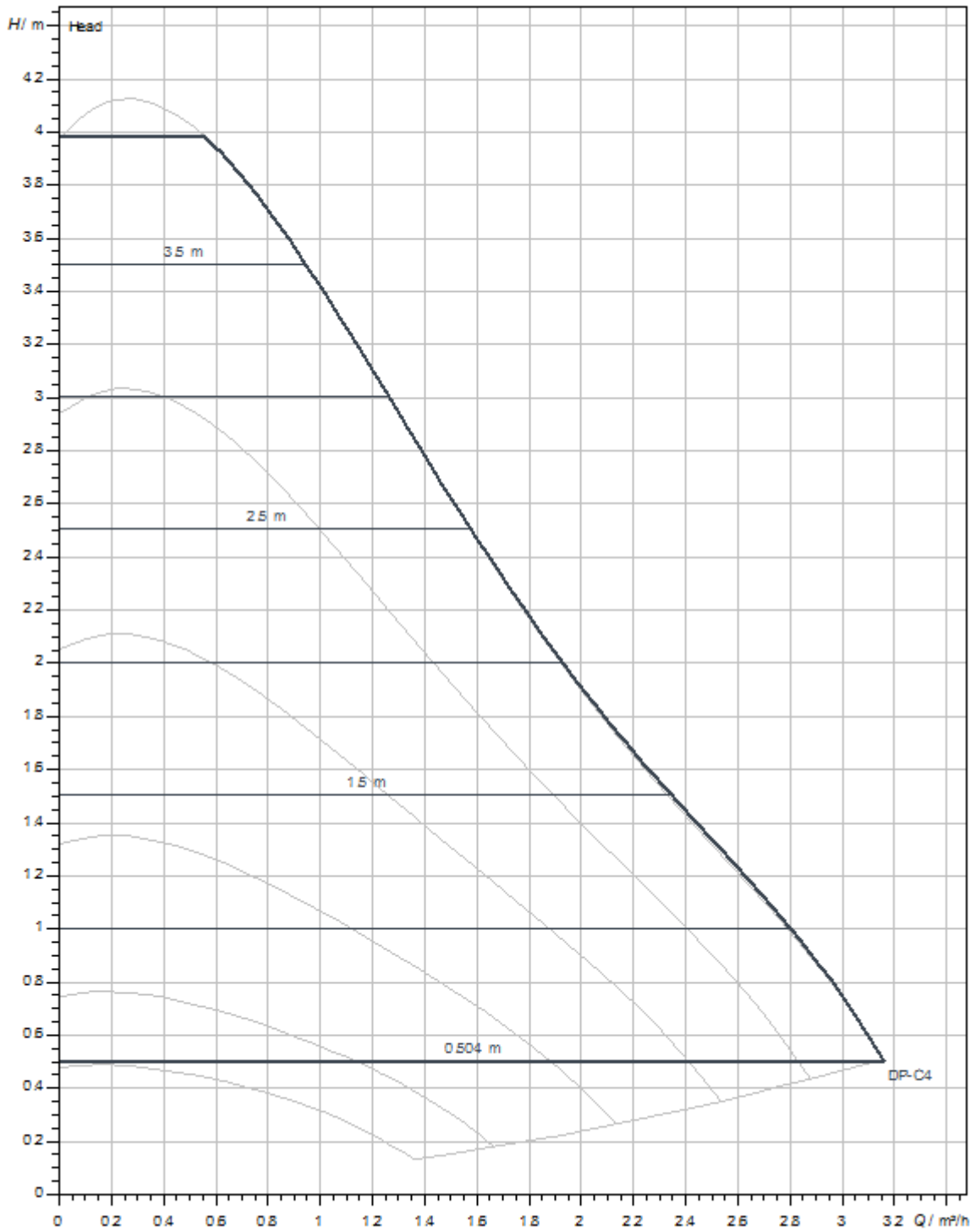
### Materials

|              |                                     |
|--------------|-------------------------------------|
| Pump housing | Stainless steel                     |
| Impeller     | PPE-GF30                            |
| Shaft        | Stainless steel                     |
| Bearing      | Carbon, synthetic resin-impregnated |

### Installation dimensions

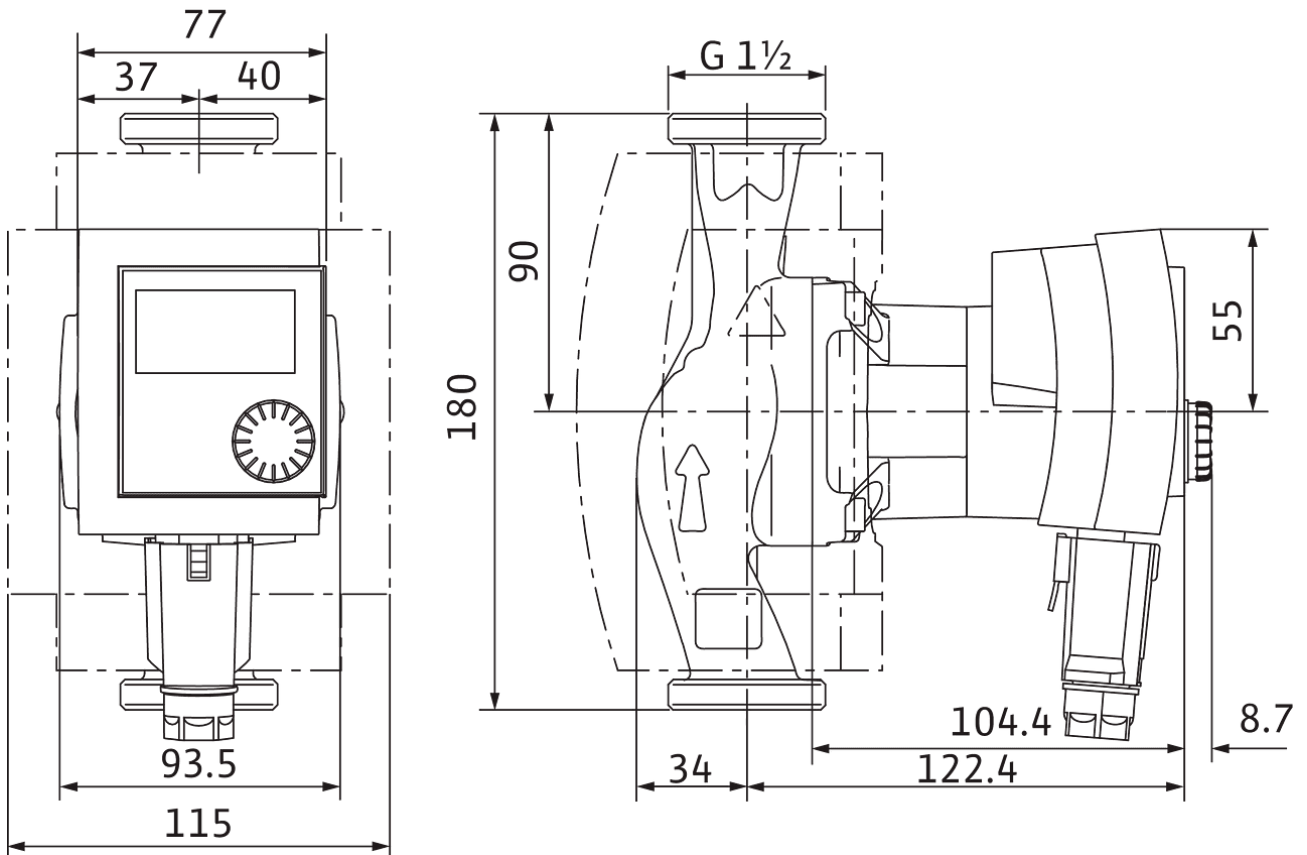
|   |        |
|---|--------|
| Pipe connection on the suction side $DN_s$  | G 1½   |
| Pipe connection on the pressure side $DN_d$ | G 1½   |
| Port-to-port length $L_0$                   | 180 mm |

Pump curves

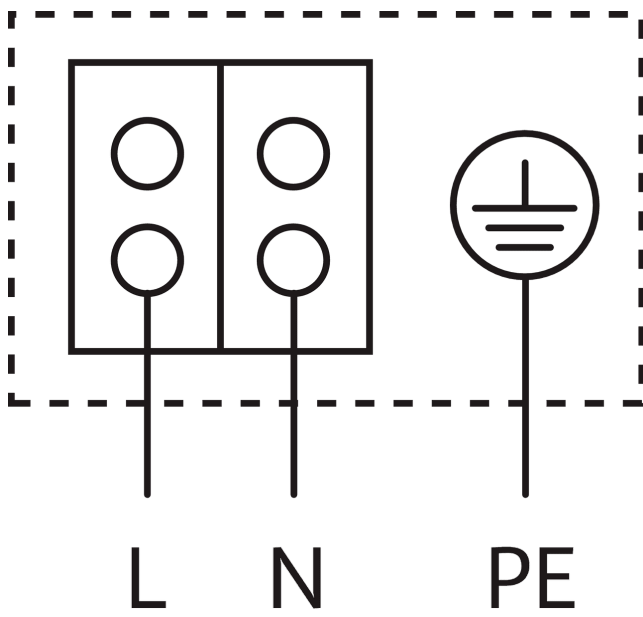


Dimensions and dimensions drawings

4216472\_ConGraph\_stratos\_pico\_z\_25\_180\_dim\_01\_1405



Wiring diagram



Blocking current-proof motor

**Single-phase motor** (EM) 2-pole - 1~230 V, 50 Hz