

MAINSBOOST

Mainsboost

Designed for direct on mains systems (unvented cylinders and combination boilers) where the mains pressure is greater than 2.0 bar but water flow is inadequate.

Mainsboost is installed directly onto the incoming water supply and under mains pressure fills with water. The Mainsboost system now has a volume of pressurised water ready for distribution throughout the property.

For properties with greater demand, Mainsboost can be supplied in multiple vessel systems.



Features

- 5 year guarantee
- Up to 80 litres/minute per vessel
- 100 – 2000 litre pressure vessel options
- Minimal maintenance
- Silent operation
- WRAS approved product
- Consumes no electricity
- Robust construction
- Long life butyl diaphragm
- Integral strainer
- Comprehensive ULK installation kit included
- Patent protected

Application

- Boosting the cold water mains supply to residential, commercial and industrial properties

Options

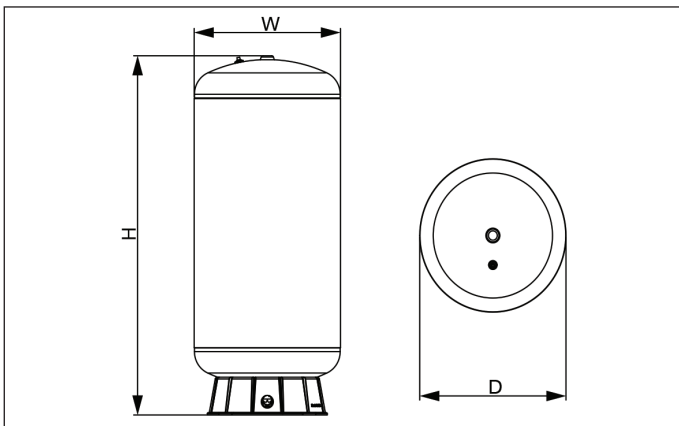
- One, two or three vessel systems available.
- Mainsboost Charger pump for applications where the incoming mains water pressure is less than 2 bar (static pressure).
- Thermal insulating jackets.

Mainsboost Vessel

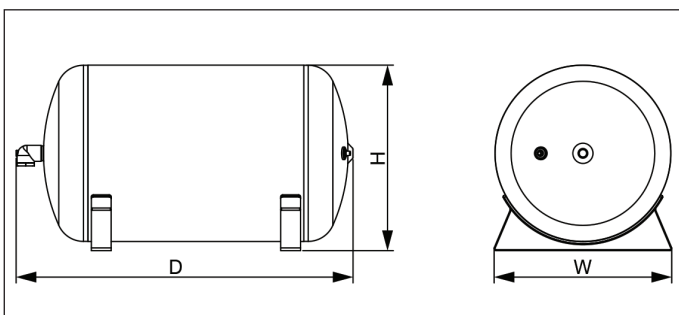
General	WRAS approval		1501305 / 1901372						
	Approvals		WRAS, CE						
	System patent no.		2349908						
	Guarantee		5 years						
Performance	Maximum working pressure*		1000 kPa (10 bar)						
	Min / Max operating temperature		Min 4 °C / Max 35 °C						
	Max rated temperature		90 °C						
Materials	Pressure vessel		Epoxy coated mild steel						
	Membrane		Butyl rubber						
Steel vessels vertical	Model	Vessel capacity (litres)**	Dimensions (mm)			Weight empty (Kg)	Weight filled (Kg)	Maximum weight (Kg)	ULK Kit (mm)
			H	W	D				
	MB 100SV	55.0	890	410	410	19.7	74.7	119.7	22
	MB 130SV	71.5	1100	410	410	23.7	95.2	153.7	22
	MB 200SV	110.0	1030	535	535	35.7	145.7	235.7	22
	MB 250SV	137.5	1210	535	535	40.7	178.2	290.7	22
	MB 300SV	165.0	1505	535	535	49.2	214.2	349.2	22
	MB 450SV	247.5	1545	660	660	74.2	321.7	524.2	22 or 28
	MB 750SV	412.5	1834	756	756	115.9	528.4	865.9	35
	MB 1000SV	550.0	2376	806	806	153.5	703.5	1153.5	35
Steel vessels horizontal	MB 200SH	110.0	558	540	1026	39.2	149.2	239.2	22
	MB 250SH	137.5	558	540	1206	44.2	181.7	294.2	22

* The maximum pressure that can be applied to the cylinder under any installation conditions.

** At typical working pressure



Model Description	Dim. 'H'	Dim. 'W'	Dim. 'D'
MB 100SV	890 mm	410 mm	410 mm
MB 130SV	1100 mm	410 mm	410 mm
MB 200SV	1030 mm	535 mm	535 mm
MB 250SV	1210 mm	535 mm	535 mm
MB 300SV	1505 mm	535 mm	535 mm
MB 450SV	1545 mm	660 mm	660 mm
MB 750SV	1834 mm	756 mm	756 mm
MB 1000SV	2376 mm	806 mm	806 mm
MB 1500SV	2435 mm	960 mm	960 mm
MB 2000SV	2505 mm	1110 mm	1110 mm



Model Description	Dim. 'H'	Dim. 'W'	Dim. 'D'
MB 200SH	558 mm	540 mm	1026 mm
MB 250SH	558 mm	540 mm	1206 mm

Stuart Turner Limited reserves the right to amend specifications without notice.