

STUART

CH 4 Pressure Sets

Designed to meet system demands in larger domestic and light commercial applications.

The CH multistage pump is mounted on to a WRAS Approved 24 litre diaphragm tank providing a buffer of pressurised stored water.

CH Pressure sets are ideally suited to boosting stored cold water supplies to un-vented hot water cylinders/combination boilers. Supplied with G 1 flexible hoses and adaptors.

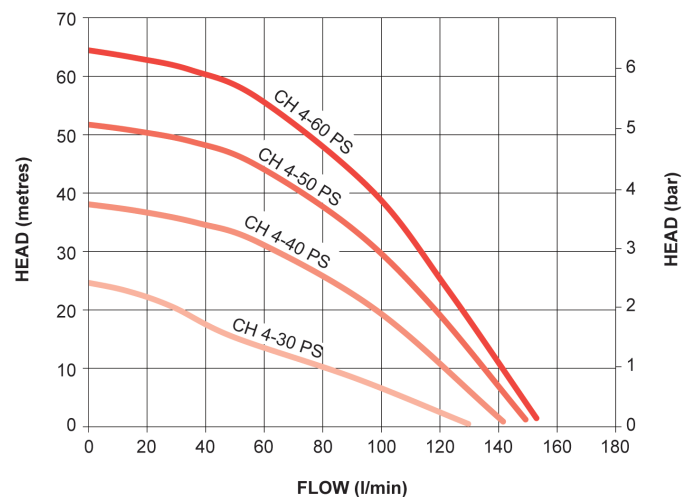


Features

- Flow rates up to 153 litres per minute and heads up to 62 metres
- Fully automatic control
- No pulsing during operation
- Durable brass and stainless steel construction
- Multistage centrifugal pump
- Extended life mechanical seal
- Quiet operation
- WRAS Approved Product
- Continuously rated induction motor
- Dry run protection
- Includes 24 litre WRAS Approved diaphragm tank
- G 1 Flexible hoses included
- 2 year guarantee

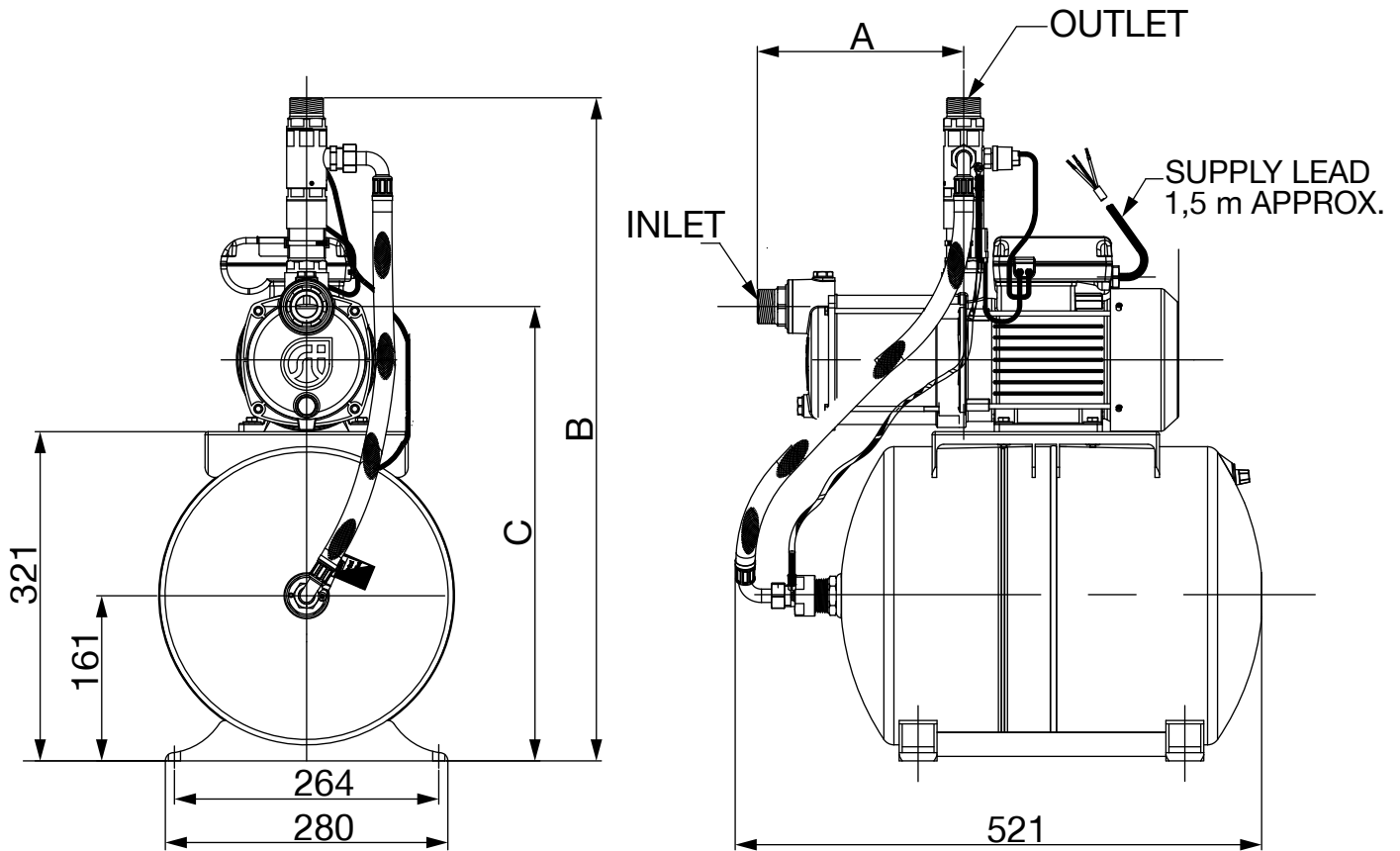
Application

- In the home CH 4 Pressure Sets are typically used to boost cold water supplies to Combination Boiler or Pressurised Un-vented stored hot water systems
- In light commercial applications they can be used to boost cold water supplies to laundries, kitchens, hotels & sports/leisure facilities



Pump Model		CH 4-30 PS 50 Hz 46601	CH 4-40 PS 50 Hz 46602	CH 4-50 PS 50 Hz 44622	CH 4-60 PS 50 Hz 44624
General	Guarantee	2 years			
	WRAS approval	Approved materials			
	Approvals	CE			
Features	Pump type	Centrifugal Multistage			
	Pump control	Pressure/flow switch			
	Anti-vibration feet	✓	✓	✓	✓
	Inlet strainer(s)	✓	✓	✓	✓
	Flexible hoses	2	2	2	2
	Run on Timer	3 sec	3 sec	3 sec	3 sec
	Dry run protection	✓	✓	✓	✓
	Diaphragm tank size	24 litres			
	Diaphragm tank capacity	12 litres			
	Priming vent plug	✓	✓	✓	✓
	Typical noise	67 dB(A)	68 dB(A)	69 dB(A)	70 dB(A)
Materials	Pump body	Brass / stainless steel			
	Impeller	Stainless steel			
	Mechanical seal	EDPM / Carbon / Ceramic			
Performance	Maximum head – closed valve	25 metres	37 metres	51 metres	64 metres
	Performance @ 50 l/min	15 metres	34 metres	46 metres	58 metres
	Performance @ 100 l/min	6 metres	20 metres	30 metres	40 metres
	Maximum flow	127 l/min	141 l/min	150 l/min	153 l/min
	Minimum static inlet pressure	1 metre			
	Maximum static inlet pressure	10 metres			
	Maximum static outlet pressure	13 metres			
	Maximum working pressure*	600 kPa (6 bar)		900 kPa (9 bar)	
	Max. ambient air temperature	40 °C			
	Min / Max water temperature	Min 4 °C / Max 35 °C			
	Cut out flow	1 l/min (approx)			
	Cut in pressure	140 kPa (1.4 bar)	190 kPa (1.9 bar)	290 kPa (2.9 bar)	
	Pressure vessel air pre-charge	1.3 bar (19 psi)	1.8 bar (26.1 psi)	2.8 bar (40.6 psi)	
Connections	Pump connections	G 1 male			
Flexible hoses	Connections	G 1 male x G 1 female x 300 mm long			
	Anti-vibration hose (diameter)	G 1			
Motor	Type	Induction, auto-reset thermal trip			
	Duty rating	Continuous (S1)			
Electrical	Power supply (Vac/Ph/Hz)	230 V a.c. / 1 / 50 Hz			
	Power consumption – P1	775 Watts	1136 Watts	1655 Watts	1974 Watts
	Current – full load	3.5 Amps	5.1 Amps	7.3 Amps	8.7 Amps
	Fuse rating	13 Amps			
	Power cable length	1.5 metres (pre-wired)			
Physical	Enclosure protection	IPX5			
	Length	521 mm			
	Width	280 mm			
	Height – excluding hoses	647 mm		667 mm	
	Weight – including fittings	17.3 Kg	18.5Kg	23.4 Kg	25.9 Kg

* The maximum pressure that can be applied to the pump under any installation conditions.



Pump Description	Dim. 'A'	Dim. 'B'	Dim. 'C'
CH 4-30 PS	179.5 mm	647 mm	443 mm
CH 4-40 PS	204 mm	647 mm	443 mm
CH 4-50 PS	232 mm	667 mm	453 mm
CH 4-60 PS	257 mm	667 mm	453 mm

Stuart Turner Limited reserves the right to amend specifications without notice.

Stuart Turner Ltd, Henley-on-Thames, Oxfordshire RG9 2AD Tel: +44 (0) 1491 572655 Fax: +44 (0) 1491 573704
TechAssist Helpline +44 (0) 800 31 969 80
www.stuart-turner.co.uk

Pt. No. 20603 Issue 4119/3-01