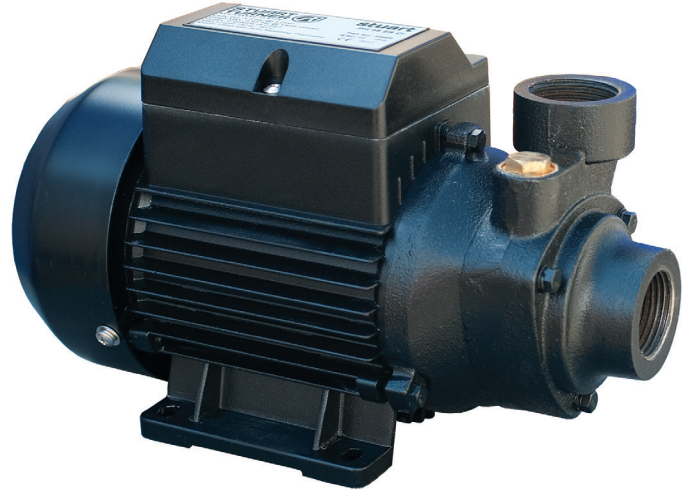


# STUART

## PH ES CI Peripheral Pump

PH Cast Iron pumps are designed for continuous operation at 5 litres per minute and above.

These compact, high performance pumps deliver flow rates up to 49 litres per minute and heads up to 97 metres.

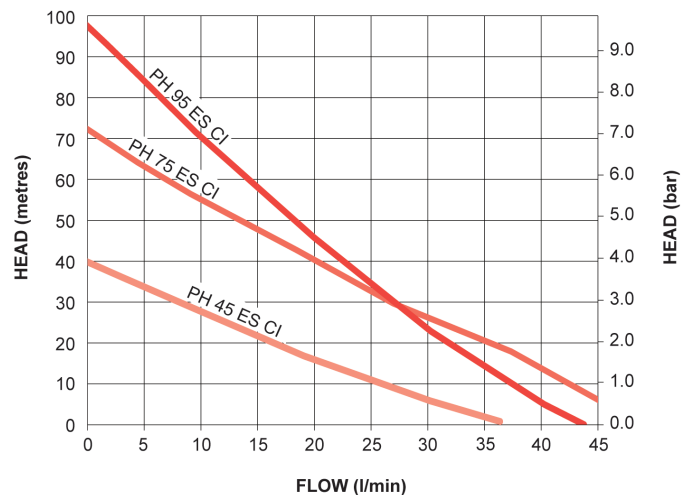


### Features

- Peripheral Pump
- Flow rates up to 49 litres per minute and heads up to 97 metres
- End suction, vertical delivery connections
- Cast iron pump body and stainless steel impeller
- Standard control
- Continuously rated
- 1 year guarantee

### Application

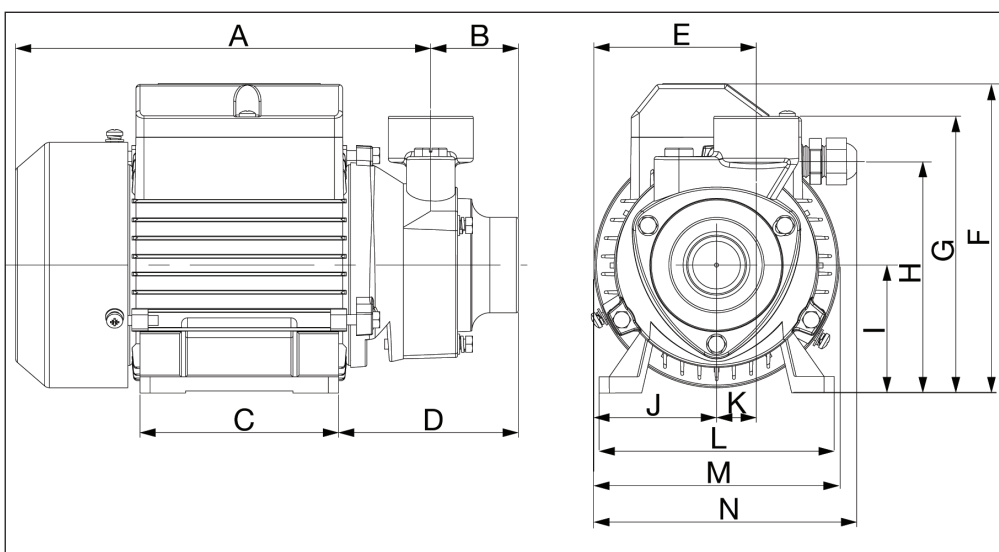
- PH ES CI peripheral pumps are designed to pump clean water. Other clean, non aggressive, non explosive liquids with similar characteristics to water may be pumped. Please consult Stuart Turner Ltd for guidance



Pump Model		PH 45 ES CI 50 Hz 46669	PH 75 ES CI 50 Hz 46732	PH 95 ES CI 50 Hz 46733
General	Guarantee	1 year		
	Approvals	CE		
Features	Pump type	Peripheral		
	Mechanical seal	Nitrile / Carbon / Ceramic		
	Priming vent plug	✓	✓	✓
	Noise	70 dB(A)	79 dB(A)	75 dB(A)
Materials	Pump body	Cast iron		
	Impeller	Brass		
Performance	Maximum head (closed valve)	40 metres	72 metres	97 metres
	Performance @ 9 l/min	29 metres	56 metres	73 metres
	Performance @ 18 l/min	18 metres	43 metres	50 metres
	Maximum flow	36 l/min	49 l/min	43 l/min
	Minimum static inlet pressure	0.1 bar (1 metre)		
	Maximum static inlet pressure	1.4 bar (14 metres)		
	Maximum viscosity	50 secs redwood no 1 9.5 centistokes		
	Maximum working pressure*	600 kPa (6 bar)	850 kPa (8.5 bar)	1100 kPa (11 bar)
	Maximum ambient air temperature	50 °C		
	Min / Max water temperature	Min 4 °C / Max 60 °C		
Connections	Suction lift**	4.6 metres		
	Pump connections	G 1 female	G 1 female	G ¾ female
Motor	Type	Induction, auto-reset thermal trip		
	Duty rating	Continuous (S1) @ 5 l/min and above		
Electrical	Power supply / phase / frequency	230 V a.c. / 1 / 50 Hz		
	Current (full load)	2.3 Amps	4.9 Amps	5.6 Amps
	Power consumption	529 Watts	1087 Watts	1240 Watts
	Fuse rating	5 Amps	13 Amps	13 Amps
Physical	Enclosure protection	IP44		
	Length	248 mm	283 mm	280.5 mm
	Width	130 mm	145 mm	
	Height (excluding hoses)	152 mm	177 mm	
	Weight (including fittings)	5.4 Kg	10.3 Kg	10.5 Kg

\* The maximum pressure that can be applied to the pump under any installation conditions.

\*\* With footvalve fitted



Model	PH 45 ES CI	PH 75 ES CI	PH 95 ES CI
Dim. 'A'	205	234	234
Dim. 'B'	43	49	46.5
Dim. 'C'	98	112	112
Dim. 'D'	89	101	98.3
Dim. 'E'	80.1	93.5	88.6
Dim. 'F'	152	177	177
Dim. 'G'	136	154	157
Dim. 'H'	114	134	134
Dim. 'I'	63	71	71
Dim. 'J'	60.5	70.5	70.5
Dim. 'K'	19.6	23.5	18.5
Dim. 'L'	116	134	134
Dim. 'M'	121	140	140
Dim. 'N'	130	145	145

Stuart Turner Limited reserves the right to amend specifications without notice.

Stuart Turner Ltd, Henley-on-Thames, Oxfordshire RG9 2AD Tel: +44 (0) 1491 572655 Fax: +44 (0) 1491 573704  
 TechAssist Helpline +44 (0) 800 31 969 80  
[www.stuart-turner.co.uk](http://www.stuart-turner.co.uk)

Pt. No. 20077 Issue 2019/2-01