

STUART

VM 0100 Series Centrifugal Vertical Multistage Pumps

A range of 1m³/hour nominal flow vertical multistage pumps featuring a compact, robust design and heavy duty oversized motor bearing.

Featuring AISI 304 stainless steel pump head construction, these robust and durable pumps are available in single phase and three phase options.

Capable of flow rates up to 2.8 m³/h and models available providing up to 152 metres head, these pumps are suitable for use in a wide range of water boosting applications.



Features

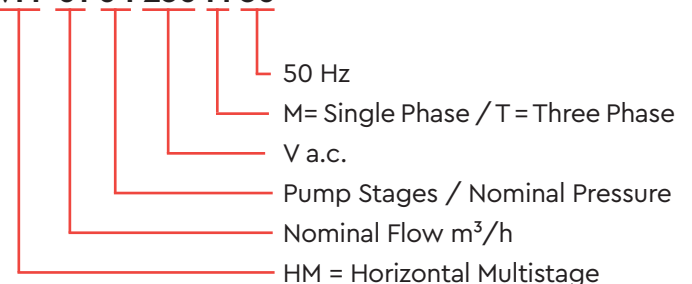
- Multistage centrifugal pump
- Flow rates up to 2.8 m³/h
- Heads up to 152 metres
- Single phase and three phase options
- Compact design
- Easy disassembly and seal replacement
- Standard mechanical seal (EN 12756 ex DIN 24960)
- Easy to replace floating neck rings and stainless steel impeller wear ring
- Oversize motor bearing
- Stainless steel pump head housing, shaft, impellers and diffusers
- Tungsten carbide shaft bearing, intermediate bearing and journal sleeve
- Continuously rated induction motor
- Efficiency class IE2/IE3
- 1 year warranty

Applications

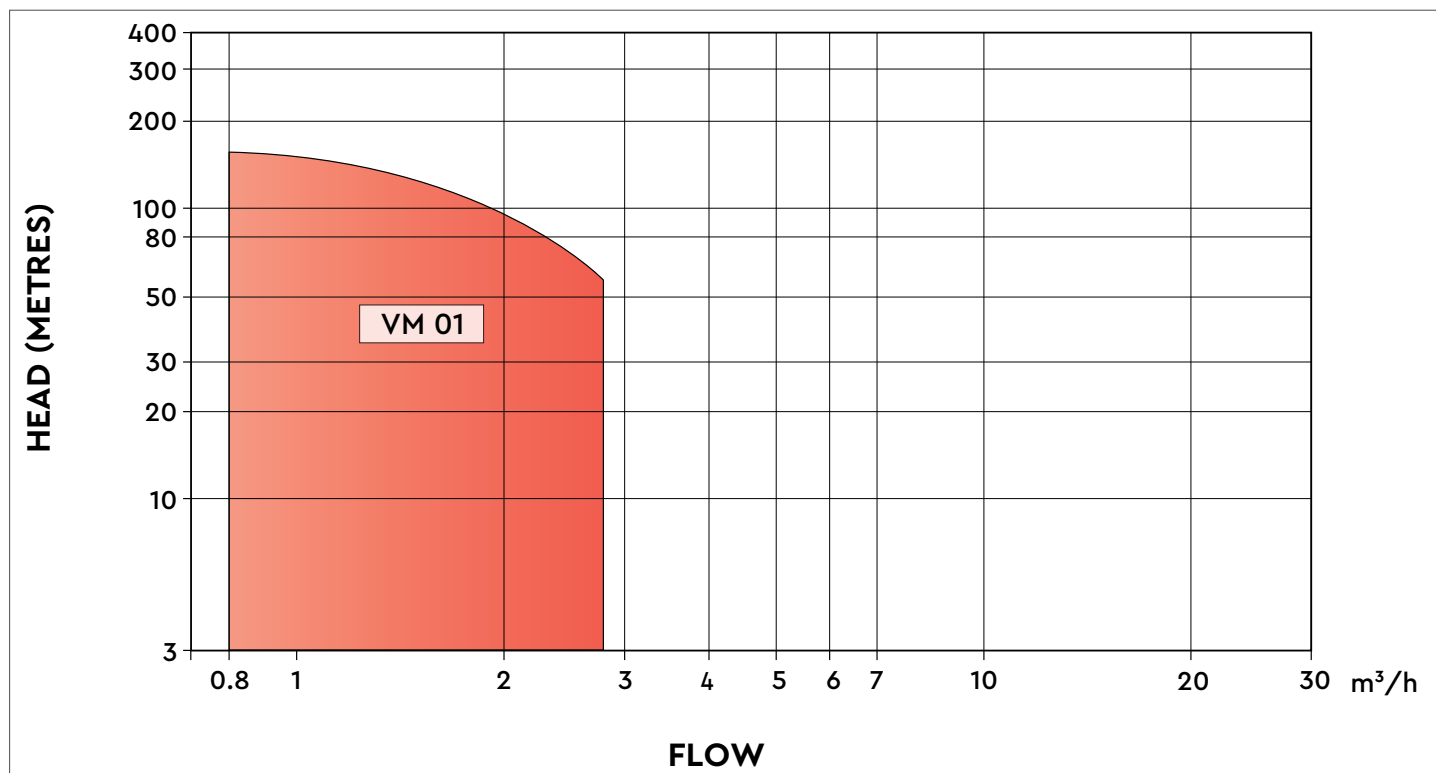
- Domestic and commercial water supply
- Industrial systems, plant and processing
- Wash down units
- Water distribution
- Irrigation and rainwater recovery
- Temperature control and air conditioning systems

Product Code

VM 01 04 230 M 50

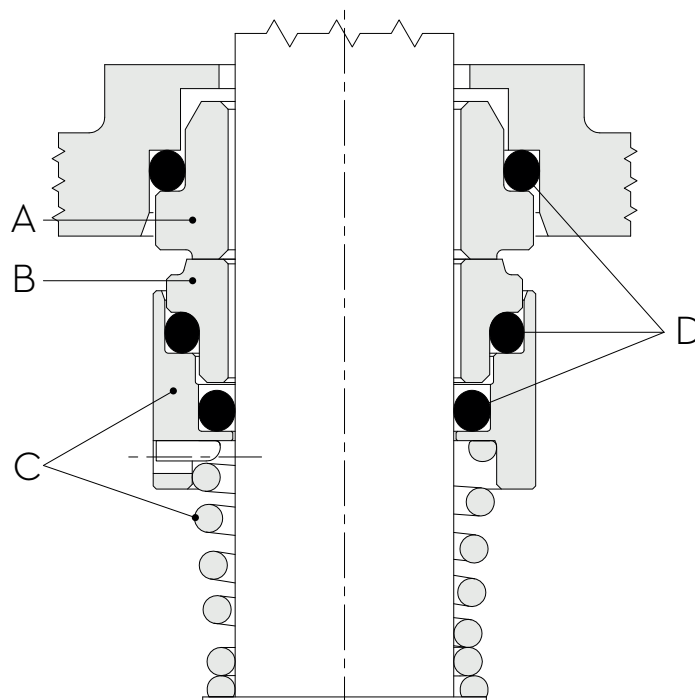


Stuart VM 0100 Series Performance Summary



			Q = Delivery										
l/min	Rated Power		H1	0	8.3	16.7	25	33.3	42	50	58.3	67	75
m³/h	kW	Hp	Bar	0	0.5	1	1.5	2	2.5	3	3.5	4	4.5
			H = Total Head (metres)										
VM 0102	0.37	0.50	20	14.5	13.5	12.5	11.5	9.5	7.5				
VM 0103	0.37	0.50	20	21.5	20.0	19.0	17.0	14.0	11.0				
VM 0104	0.37	0.50	20	28.0	26.5	24.5	22.0	18.5	14.0				
VM 0105	0.37	0.50	20	35.0	33.0	30.5	27.0	22.5	17.0				
VM 0106	0.37	0.50	20	41.5	39.0	36.0	32.0	26.5	19.5				
VM 0107	0.37	0.50	20	48.0	45.0	41.5	36.5	30.0	22.0				
VM 0108	0.55	0.75	20	55.0	52.0	48.0	42.5	35.0	26.0				
VM 0109	0.55	0.75	20	61.5	58.0	53.0	47.0	39.0	28.5				
VM 0110	0.55	0.75	20	68.0	64.0	58.5	51.5	43.0	31.5				
VM 0111	0.55	0.75	20	74.5	69.5	64.0	56.5	46.5	34.0				
VM 0112	0.75	1.00	20	83.0	78.5	72.0	64.0	53.0	39.5				
VM 0113	0.75	1.00	20	89.5	84.5	77.5	68.5	57.0	42.0				
VM 0114	0.75	1.00	20	96.0	90.5	83.0	73.0	60.5	44.5				
VM 0115	0.75	1.00	20	102.5	96.0	88.0	78.0	64.0	47.0				
VM 0117	1.10	1.50	20	118.0	111.5	103.0	91.5	76.0	56.5				
VM 0119	1.10	1.50	20	131.0	123.5	114.0	101.0	84.0	62.0				
VM 0122	1.10	1.50	20	150.5	141.5	130.0	115.0	95.0	69.5				
VM 0123	1.50	2.00	20	160.5	152.0	140.0	124.5	104.0	77.5				

Stuart VM 0100 Series Mechanical Seal Specifications



Seal Component Materials

Stationary Part	Rotating Part	Other Components	Elastomers	Temperature
A	B	C	D	
Graphite	Silicon Carbide	Stainless Steel AISI 316	EPDM	-15°C – +120°C

Stuart VM 0100 Series Motor Specifications

- Protection degree: IP55
- Max ambient temperature 40°C
- Insulation class: F
- Size B14 up to 4 kW

Single Phase Models

- Standard voltage 220–240 V \pm 5%
- Integral capacitor

IEC Size	Power		Design	Input Current I_N (A) 230V	230V 50 Hz					
	(kW)	(HP)			min^{-1}	M_N (Nm)	$\eta\%$	$\cos \phi$	I_A / I_N	M_A / M_N
71	0.37	0.5	B14	3.1	2780	1.3	57.6	0.89	3.1	0.8
71	0.55	0.75	B14	3.9	2740	1.9	69.0	0.89	3.5	0.7
80	0.75	1	B14	5.3	2800	2.6	65.0	0.95	4.1	0.6
80	1.1	1.5	B14	6.5	2730	3.8	74.0	0.97	3.6	0.5
90	1.5	2	B14	9.3	2835	5.1	73.0	0.90	3.9	0.5

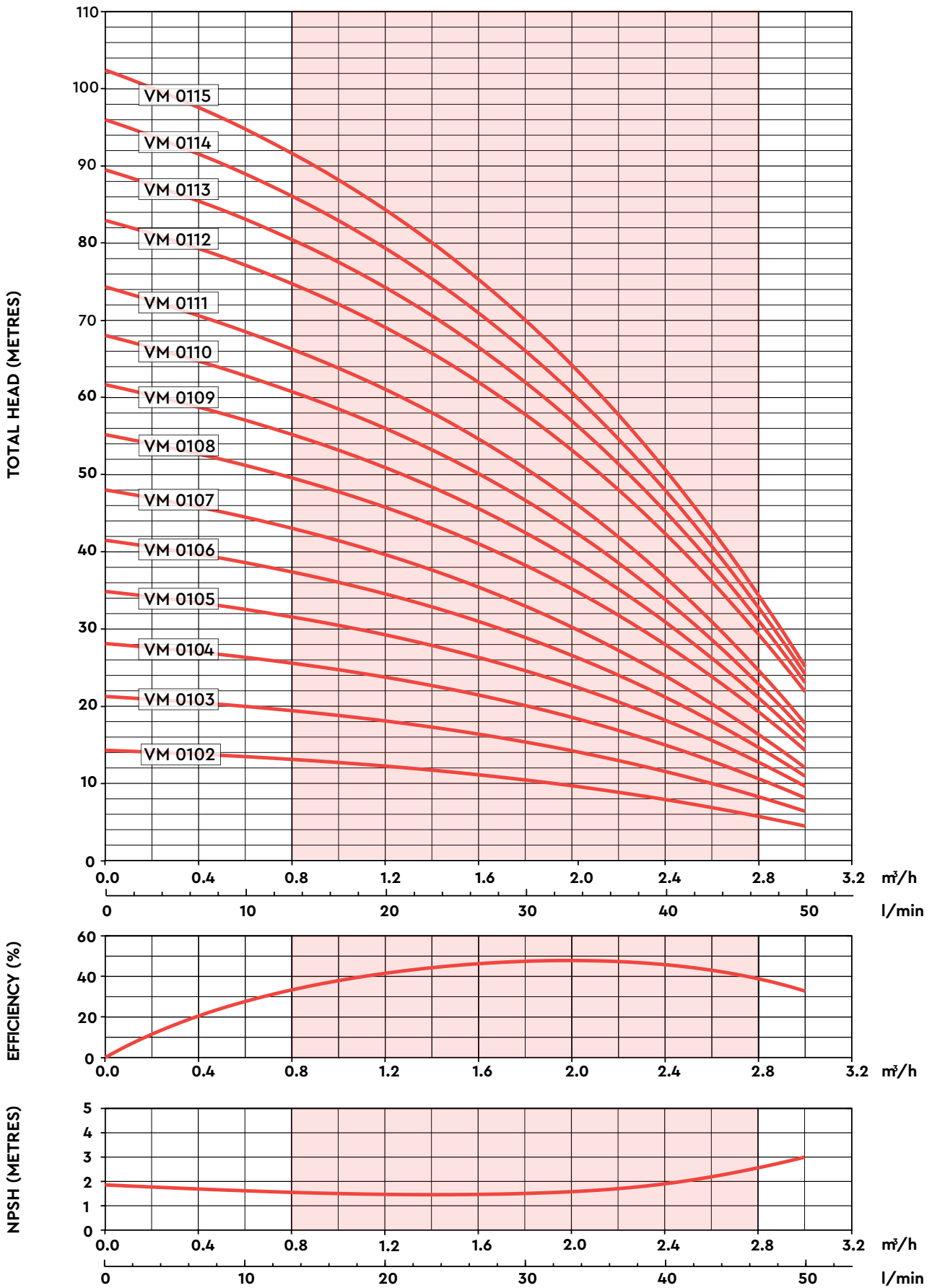
Three Phase Models

- High efficiency IE2 and premium efficiency IE3 motors
- Multi-mount construction for an easy change of terminal box position
- Terminal box rotates by 90° to allow cable entry from any direction
- Easy-to-change flanges with over-sized and smaller-sized dimensions
- Standard voltage up to 1.5 kW 230/400 V

Class	Power		Motor Size	Design	Input Current I_N (A)				230V 50 Hz					
	(kW)	(HP)			Δ 230 V	Y 400 V	Δ 400 V	Y 690 V	min^{-1}	M_N (Nm)	$\eta\%$	$\cos \phi$	I_A / I_N	M_A / M_N
IE2	0.37	0.5	71	B14	1.7	1.0	-	-	2820	1.3	70.0	0.78	4.7	3.6
	0.55	0.75	71	B14	2.6	1.5	-	-	2830	1.9	71.0	0.77	4.8	3.2
IE3	0.75	1	80	B14	2.9	1.7	-	-	2910	2.5	82.0	0.78	8.9	4.7
	1.1	1.5	80	B14	4.2	2.4	-	-	2870	3.7	82.7	0.76	9.3	5.0
	1.5	2	90	B14	5.2	3.0	-	-	2875	5.0	84.2	0.85	8.4	3.6

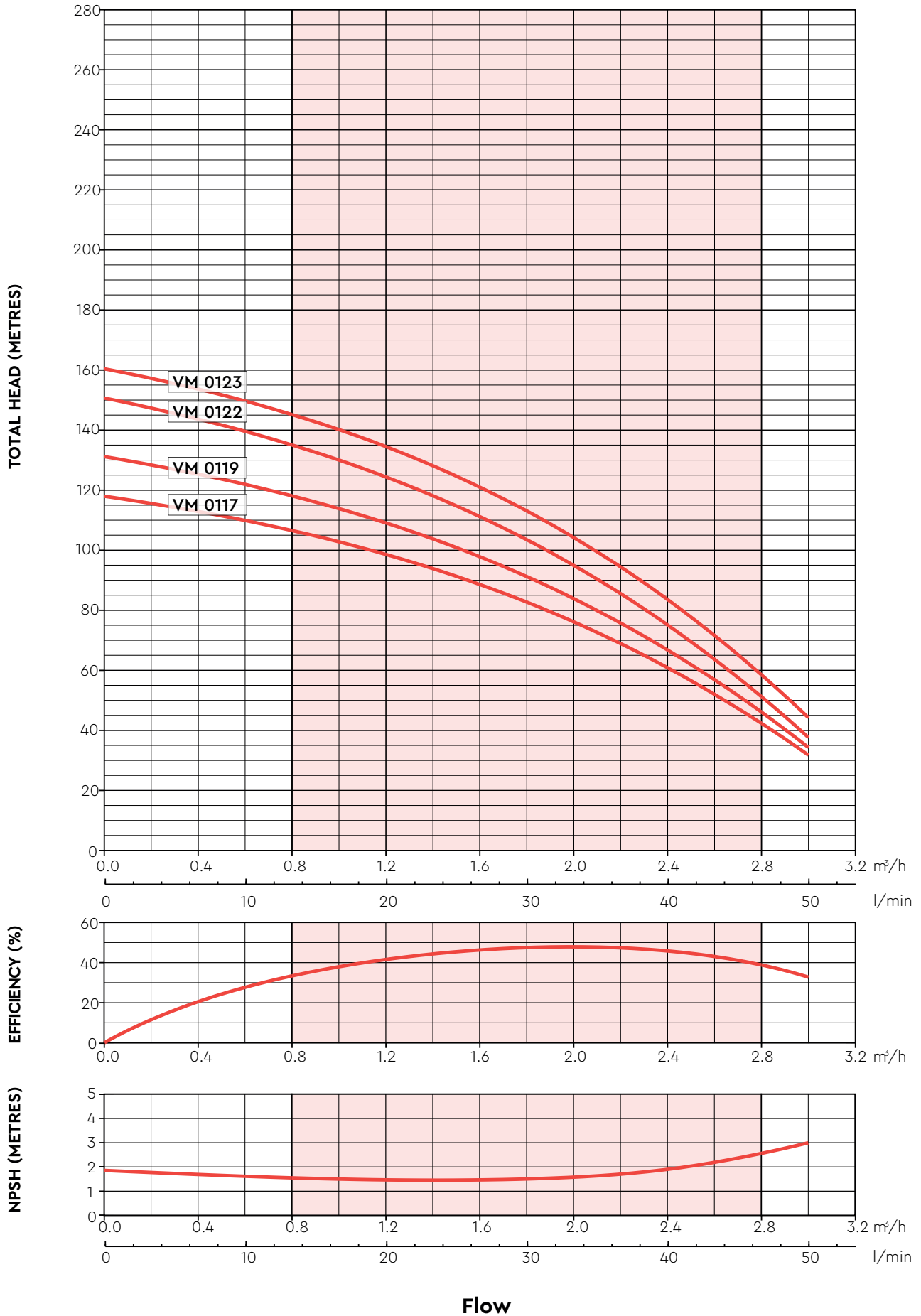
Stuart VM 0100 Series Performance

MEI \geq 0.70



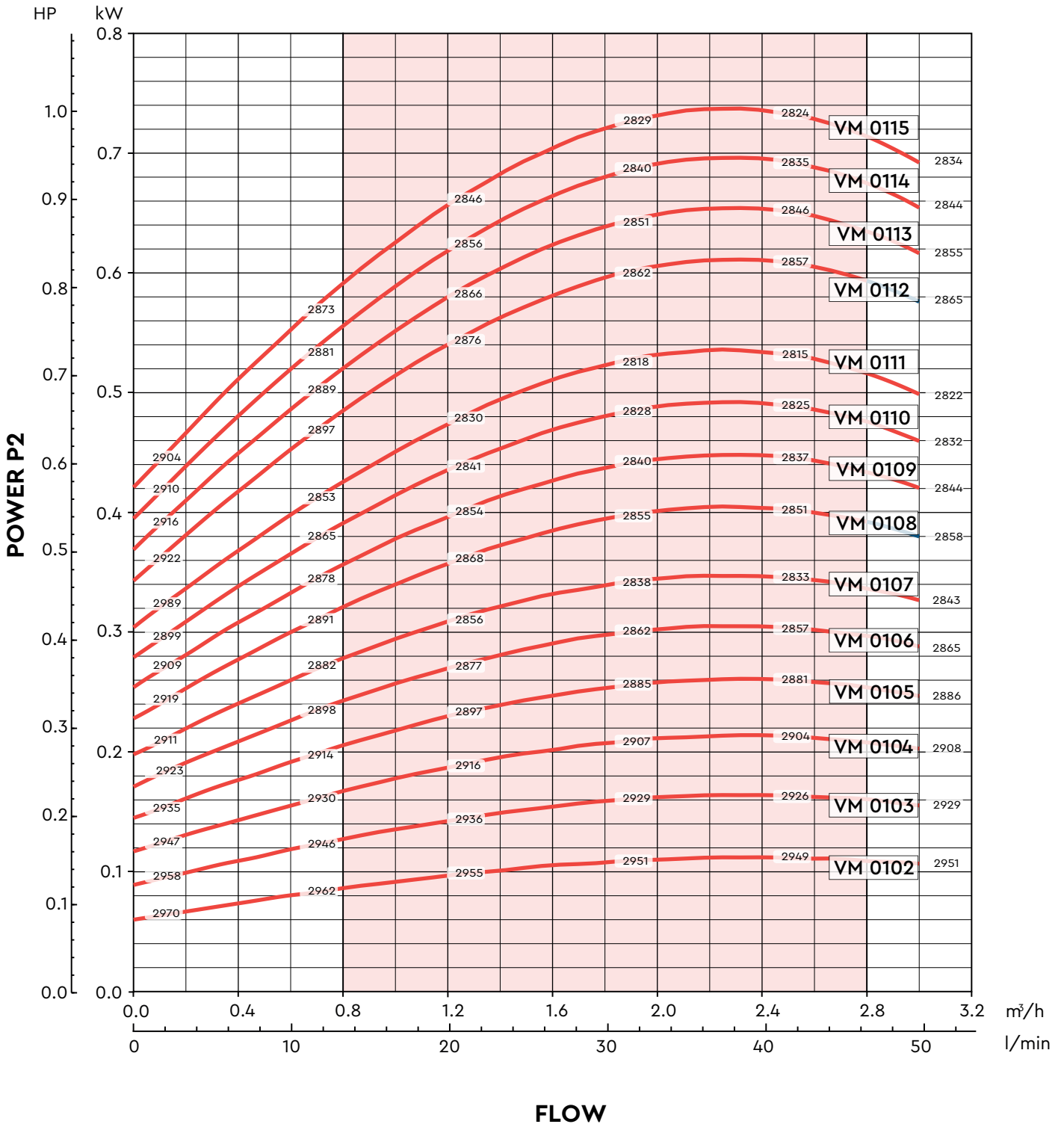
Stuart VM 0100 Series Performance

MEI ≥ 0.70



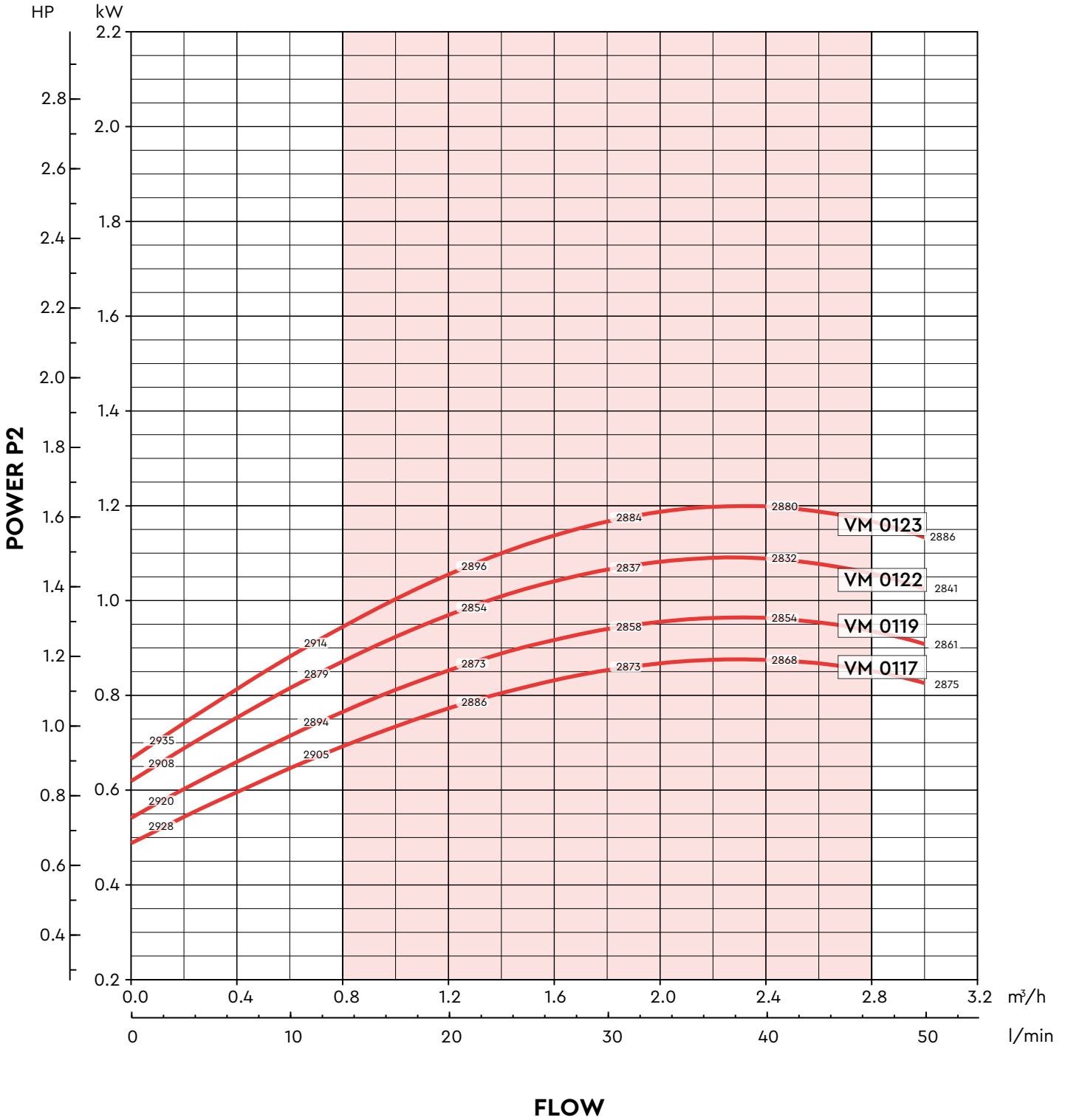
Stuart VM 0100 Series Performance

MEI ≥ 0.70



Stuart VM 0100 Series Performance

MEI ≥ 0.70



Stuart VM 0100 230 M 50 Technical Specifications

VM 0100 230 M 50	0102	0103	0104	0105	0106	0107
Part No	47128	47129	47130	47131	47132	47133
General						
Warranty	1 Year					
Approvals	CE					
Pump type	Centrifugal Multistage					
Features						
Impeller stages	2	3	4	5	6	7
Compact, robust design	✓					
Heavy duty oversized bearings	✓					
Easy maintenance	✓					
Performance						
Flow rate - nominal (m ³ /h)	1					
Flow rate range (m ³ /h)	0.8 - 2.8					
Maximum head - closed valve (metres)	14.5	21.5	28.0	35.0	41.5	48.0
Head range (metres)	7.5-13.5	11-20	14-26.5	17-33	19.5-39	22-45
Working pressure - maximum (bar)	26					
Motor						
Motor type	Induction (Manual reset thermal trip)					
Power supply (Vac/Ph/Hz)	230 V a.c. / 1 / 50 Hz					
Power - motor nominal P2 (kW)	0.37	0.37	0.37	0.37	0.37	0.37
Power - motor nominal P2 (hp)	0.5	0.5	0.5	0.5	0.5	0.5
Input current - 220-240v (A)	3.1	3.1	3.1	3.1	3.1	3.1
Efficiency (%)	57.6	57.6	57.6	57.6	57.6	57.6
Insulation class	F					
Duty rating	Continuous (S1)					
Starts per hour	60					
IP rating	IP 55					
Materials						
Pump head housing	AISI 304 stainless steel					
Impellers and diffusers	AISI 304 stainless steel					
Pump shaft	AISI 304 stainless steel					
Pump seal	Graphite/Silicon Carbide/AISI316/EPDM					
Connections						
Connection - inlet	DN25	DN25	DN25	DN25	DN25	DN25
Connection - outlet	DN25	DN25	DN25	DN25	DN25	DN25
Operating Conditions						
Operating ambient temperature range (°C)	-5 to +40 °C					
Liquid temperature range (°C)	-5 to +120 °C					
Dimensions						
Height (mm)	529	552	574	597	619	642
Width (mm)	259	259	259	259	259	259
Depth (mm)	210	210	210	210	210	210
Weight (Kg)	17.3	17.8	18.3	18.8	19.3	19.8

Stuart VM 0100 230 M 50 Technical Specifications

VM 0100 230 M 50	0108	0109	0110	0111	0112	0113
Part No	47134	47135	47136	47137	47138	47139
General						
Warranty	1 Year					
Approvals	CE					
Pump type	Centrifugal Multistage					
Features						
Impeller stages	8	9	10	11	12	13
Compact, robust design	✓					
Heavy duty oversized bearings	✓					
Easy maintenance	✓					
Performance						
Flow rate - nominal (m ³ /h)	1					
Flow rate range (m ³ /h)	0.8 - 2.8					
Maximum head - closed valve (metres)	55.0	61.5	68.0	74.5	83.0	89.5
Head range (metres)	26-52	28.5-58	31.5-64	34-69.5	39.5-78.5	42-84.5
Working pressure - maximum (bar)	26					
Motor						
Motor type	Induction (Manual reset thermal trip)					
Power supply (Vac/Ph/Hz)	230 V a.c. / 1 / 50 Hz					
Power - motor nominal P2 (kW)	0.55	0.55	0.55	0.55	0.75	0.75
Power - motor nominal P2 (hp)	0.75	0.75	0.75	0.75	1.00	1.00
Input current 220-240v (A)	3.9	3.9	3.9	3.9	5.3	5.3
Efficiency (%)	69	69	69	69	65	65
Insulation class	F					
Duty rating	Continuous (S1)					
Starts per hour	60					
IP rating	IP 55					
Materials						
Pump head housing	AISI 304 stainless steel					
Impellers and diffusers	AISI 304 stainless steel					
Pump shaft	AISI 304 stainless steel					
Pump seal	Graphite/Silicon Carbide/AISI316/EPDM					
Connections						
Connection - inlet	DN25	DN25	DN25	DN25	DN25	DN25
Connection - outlet	DN25	DN25	DN25	DN25	DN25	DN25
Operating Conditions						
Operating ambient temperature range (°C)	-5 to +40 °C					
Liquid temperature range (°C)	-5 to +120 °C					
Dimensions						
Height (mm)	664	687	709	732	770	793
Width (mm)	259	259	259	259	275	275
Depth (mm)	210	210	210	210	210	210
Weight (Kg)	20.7	21.2	21.7	22.2	26.0	26.5

Stuart VM 0100 230 M 50 Technical Specifications

VM 0100 230 M 50	0114	0115	0117	0119	0122	0123
Part No	47140	47141	47142	47143	47144	47145
General						
Warranty	1 Year					
Approvals	CE					
Pump type	Centrifugal Multistage					
Features						
Impeller stages	14	15	17	19	22	23
Compact, robust design	✓					
Heavy duty oversized bearings	✓					
Easy maintenance	✓					
Performance						
Flow rate - nominal (m ³ /h)	1					
Flow rate range (m ³ /h)	0.8 - 2.8					
Maximum head - closed valve (metres)	96	102.5	118	131	150.5	160.5
Head range (metres)	44.5-90.5	47-96	56.5-111.5	62-123.5	69.5-141.5	77.5-152
Working pressure - maximum (bar)	26					
Motor						
Motor type	Induction (Manual reset thermal trip)					
Power supply (Vac/Ph/Hz)	230 V a.c. / 1 / 50 Hz					
Power - motor nominal P2 (kW)	0.75	0.75	1.1	1.1	1.1	1.5
Power - motor nominal P2 (hp)	1.0	1.0	1.5	1.5	1.5	2.0
Input current 220-240v (A)	5.3	5.3	6.5	6.5	6.5	9.3
Efficiency (%)	65	65	74	74	74	73
Insulation class	F					
Duty rating	Continuous (S1)					
Starts per hour	60					
IP rating	IP 55					
Materials						
Pump head housing	AISI 304 stainless steel					
Impellers and diffusers	AISI 304 stainless steel					
Pump shaft	AISI 304 stainless steel					
Pump seal	Graphite/Silicon Carbide/AISI316/EPDM					
Connections						
Connection - inlet	DN25	DN25	DN25	DN25	DN25	DN25
Connection - outlet	DN25	DN25	DN25	DN25	DN25	DN25
Operating Conditions						
Operating ambient temperature range (°C)	-5 to +40 °C					
Liquid temperature range (°C)	-5 to +120 °C					
Dimensions						
Height (mm)	815	838	883	928	995	1063
Width (mm)	275	275	275	275	275	285
Depth (mm)	210	210	210	210	210	210
Weight (Kg)	26.5	27.0	29.6	30.6	32.1	36.0

Stuart VM 0100 230-400 T 50 Technical Specifications

VM 0100 230-400 T 50	0102	0103	0104	0105	0106	0107
Part No	46972	46973	46974	46975	46976	46977
General						
Warranty	1 Year					
Approvals	CE					
Pump type	Centrifugal Multistage					
Features						
Impeller stages	2	3	4	5	6	7
Compact, robust design	✓					
Heavy duty oversized bearings	✓					
Easy maintenance	✓					
Performance						
Flow rate - nominal (m ³ /h)	1					
Flow rate range (m ³ /h)	0.8 - 2.8					
Maximum head - closed valve (metres)	14.5	21.5	28.0	35.0	41.5	48.0
Head range (metres)	7.5-13.5	11-20	14-26.5	17-33	19.5-39	22-45
Working pressure - maximum (bar)	26					
Motor						
Motor type	Induction (Manual reset thermal trip)					
Power supply (Vac/Ph/Hz)	230-400 V a.c. / 3 / 50 Hz					
Power - motor nominal P2 (kW)	0.37	0.37	0.37	0.37	0.37	0.37
Power - motor nominal P2 (hp)	0.5	0.5	0.5	0.5	0.5	0.5
Input current - 220-240v (A)	1.7	1.7	1.7	1.7	1.7	1.7
Input current - 380-415v (A)	1.0	1.0	1.0	1.0	1.0	1.0
Efficiency class	IE2	IE2	IE2	IE2	IE2	IE2
Efficiency (%)	70	70	70	70	70	70
Insulation class	F					
Duty rating	Continuous (S1)					
Starts per hour	60					
IP rating	IP 55					
Materials						
Pump head housing	AISI 304 stainless steel					
Impellers and diffusers	AISI 304 stainless steel					
Pump shaft	AISI 304 stainless steel					
Pump seal	Graphite/Silicon Carbide/AISI316/EPDM					
Connections						
Connection - inlet	DN25	DN25	DN25	DN25	DN25	DN25
Connection - outlet	DN25	DN25	DN25	DN25	DN25	DN25
Operating Conditions						
Operating ambient temperature range (°C)	-5 to +40 °C					
Liquid temperature range (°C)	-5 to +120 °C					
Dimensions						
Height (mm)	529	552	574	597	619	642
Width (mm)	259	259	259	259	259	259
Depth (mm)	210	210	210	210	210	210
Weight (Kg)	17.3	17.8	18.3	18.8	19.3	19.8

Stuart VM 0100 230-400 T 50 Technical Specifications

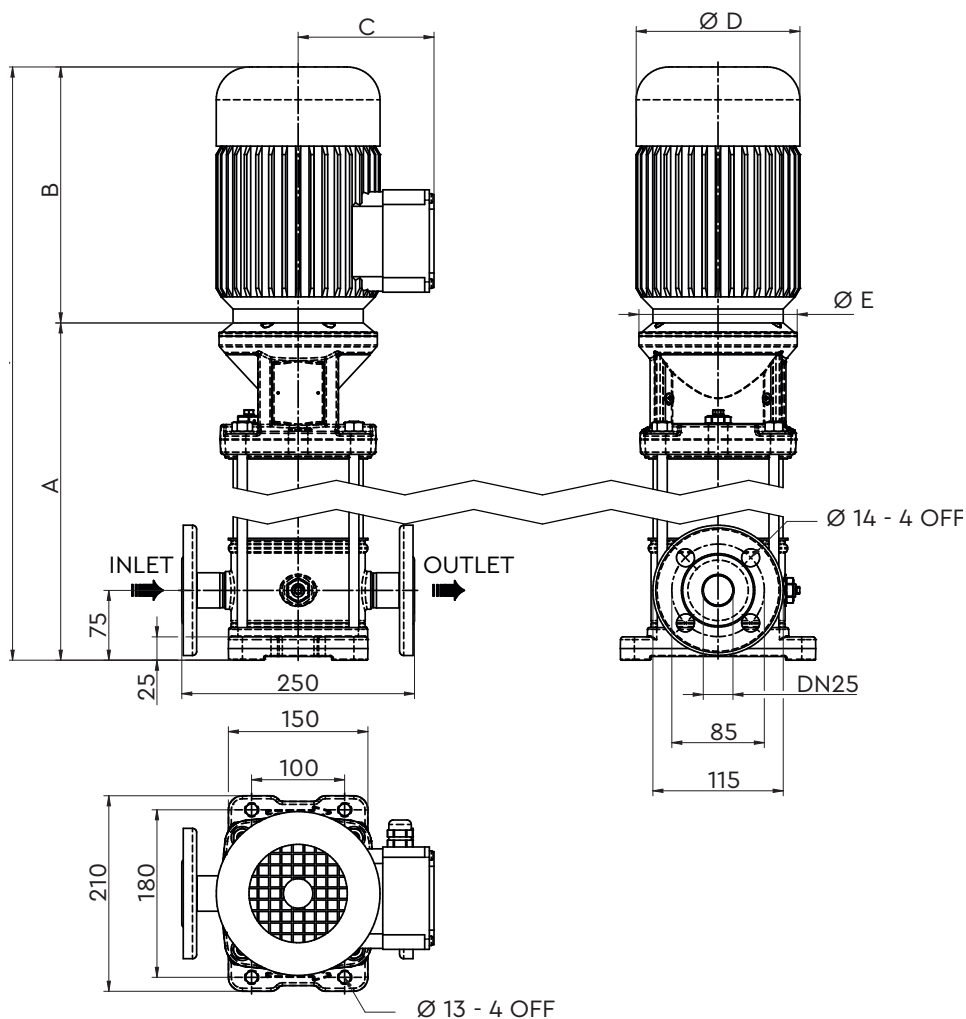
VM 0100 230-400 T 50	0108	0109	0110	0111	0112	0113
Part No	46978	46979	46980	46981	46982	46983
General						
Warranty	1 Year					
Approvals	CE					
Pump type	Centrifugal Multistage					
Features						
Impeller stages	8	9	10	11	12	13
Compact, robust design	✓					
Heavy duty oversized bearings	✓					
Easy maintenance	✓					
Performance						
Flow rate - nominal (m ³ /h)	1					
Flow rate range (m ³ /h)	0.8 - 2.8					
Maximum head - closed valve (metres)	55.0	61.5	68.0	74.5	83.0	89.5
Head range (metres)	26-52	28.5-58	31.5-64	34-69.5	39.5-78.5	42-84.5
Working pressure - maximum (bar)	26					
Motor						
Motor type	Induction (Manual reset thermal trip)					
Power supply (Vac/Ph/Hz)	230-400 V a.c. / 3 / 50 Hz					
Power - motor nominal P2 (kW)	0.55	0.55	0.55	0.55	0.75	0.75
Power - motor nominal P2 (hp)	0.75	0.75	0.75	0.75	1.00	1.00
Input current 220-240v (A)	2.6	2.6	2.6	2.6	2.9	2.9
Input current 380-415v (A)	1.5	1.5	1.5	1.5	1.7	1.7
Efficiency class	IE2	IE2	IE2	IE2	IE3	IE3
Efficiency (%)	71	71	71	71	82	82
Insulation class	F					
Duty rating	Continuous (S1)					
Starts per hour	60					
IP rating	IP 55					
Materials						
Pump head housing	AISI 304 stainless steel					
Impellers and diffusers	AISI 304 stainless steel					
Pump shaft	AISI 304 stainless steel					
Pump seal	Graphite/Silicon Carbide/AISI316/EPDM					
Connections						
Connection - inlet	DN25	DN25	DN25	DN25	DN25	DN25
Connection - outlet	DN25	DN25	DN25	DN25	DN25	DN25
Operating Conditions						
Operating ambient temperature range (°C)	-5 to +40 °C					
Liquid temperature range (°C)	-5 to +120 °C					
Dimensions						
Height (mm)	664	687	709	732	770	793
Width (mm)	259	259	259	259	275	275
Depth (mm)	210	210	210	210	210	210
Weight (Kg)	20.7	21.2	21.7	22.2	26.0	26.5

Stuart VM 0100 230-400 T 50 Technical Specifications

VM 0100 230-400 T 50	0114	0115	0117	0119	0122	0123
Part No	46984	46985	46986	46987	46988	46989
General						
Warranty	1 Year					
Approvals	CE					
Pump type	Centrifugal Multistage					
Features						
Impeller stages	14	15	17	19	22	23
Compact, robust design	✓					
Heavy duty oversized bearings	✓					
Easy maintenance	✓					
Performance						
Flow rate - nominal (m ³ /h)	1					
Flow rate range (m ³ /h)	0.8 - 2.8					
Maximum head - closed valve (metres)	96	102.5	118	131	150.5	160.5
Head range (metres)	44.5-90.5	47-96	56.5-111.5	62-123.5	69.5-141.5	77.5-152
Working pressure - maximum (bar)	26					
Motor						
Motor type	Induction (Manual reset thermal trip)					
Power supply (Vac/Ph/Hz)	230-400 V a.c. / 3 / 50 Hz					
Power - motor nominal P2 (kW)	0.75	0.75	1.1	1.1	1.1	1.5
Power - motor nominal P2 (hp)	1.0	1.0	1.5	1.5	1.5	2.0
Input current 220-240v (A)	2.9	2.9	4.2	4.2	4.2	5.2
Input current 380-415v (A)	1.7	1.7	2.4	2.4	2.4	3.0
Efficiency class	IE3	IE3	IE3	IE3	IE3	IE3
Efficiency (%)	82	82	82.7	82.7	82.7	84.2
Insulation class	F					
Duty rating	Continuous (S1)					
Starts per hour	60					
IP rating	IP 55					
Materials						
Pump head housing	AISI 304 stainless steel					
Impellers and diffusers	AISI 304 stainless steel					
Pump shaft	AISI 304 stainless steel					
Pump seal	Graphite/Silicon Carbide/AISI316/EPDM					
Connections						
Connection - inlet	DN25	DN25	DN25	DN25	DN25	DN25
Connection - outlet	DN25	DN25	DN25	DN25	DN25	DN25
Operating Conditions						
Operating ambient temperature range (°C)	-5 to +40 °C					
Liquid temperature range (°C)	-5 to +120 °C					
Dimensions						
Height (mm)	815	838	883	928	995	1063
Width (mm)	275	275	275	275	275	285
Depth (mm)	210	210	210	210	210	210
Weight (Kg)	26.5	27.0	29.6	30.6	32.1	36.0

Stuart VM 0100 230 M 50 Dimensions

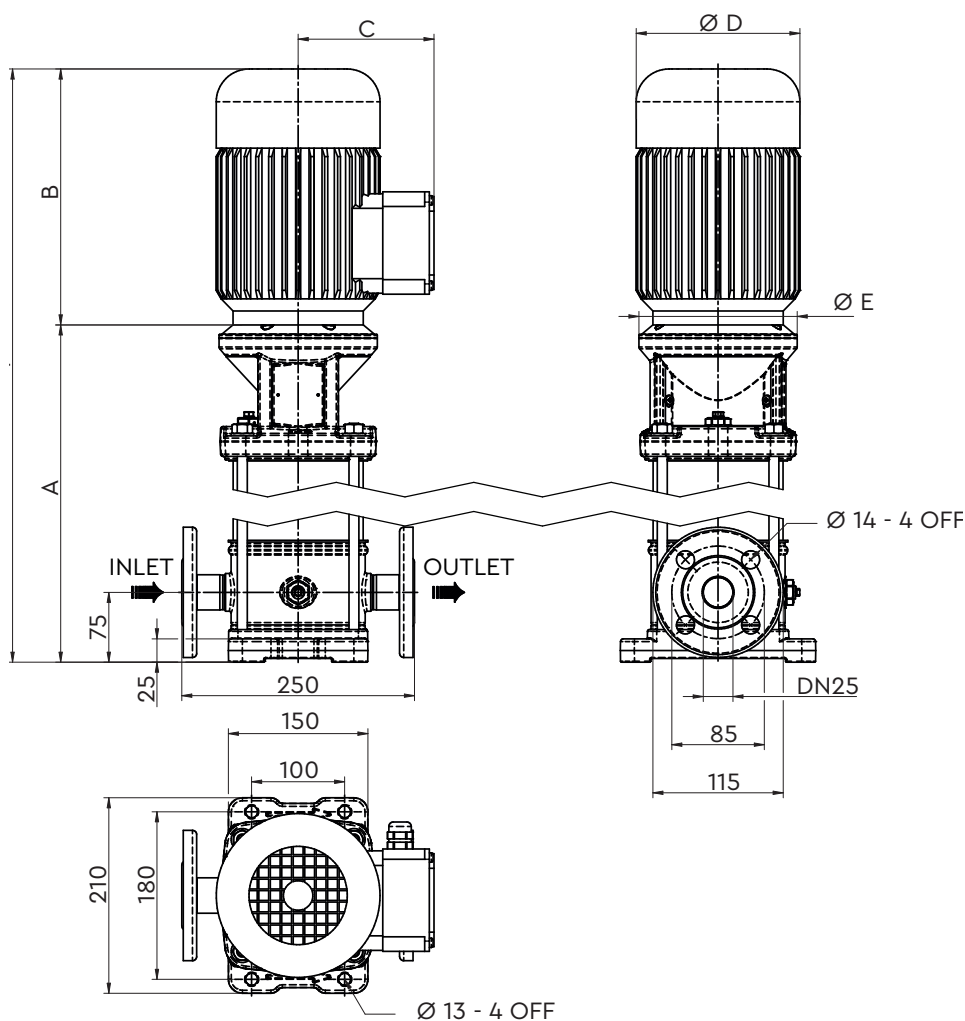
Dimensions: VM 0100 230 M 50



Part No	Description	Dimensions (mm)						Motor Weight	Pump Weight	Total Weight	
		A	B	C	Ø D	Ø E	F				
47128	VM 0102	230 M 50	313	216	134	139	170	529	5.8 Kg	11.5 Kg	17.3 Kg
47129	VM 0103	230 M 50	336	216	134	139	170	552	5.8 Kg	12.0 Kg	17.8 Kg
47130	VM 0104	230 M 50	358	216	134	139	170	574	5.8 Kg	12.5 Kg	18.3 Kg
47131	VM 0105	230 M 50	381	216	134	139	170	597	5.8 Kg	13.0 Kg	18.8 Kg
47132	VM 0106	230 M 50	403	216	134	139	170	619	5.8 Kg	13.5 Kg	19.3 Kg
47133	VM 0107	230 M 50	426	216	134	139	170	642	5.8 Kg	14.0 Kg	19.8 Kg
47134	VM 0108	230 M 50	448	216	134	139	170	664	6.2 Kg	14.5 Kg	20.7 Kg
47135	VM 0109	230 M 50	471	216	134	139	170	687	6.2 Kg	15.0 Kg	21.2 Kg
47136	VM 0110	230 M 50	493	216	134	139	170	709	6.2 Kg	15.5 Kg	21.7 Kg
47137	VM 0111	230 M 50	516	216	134	139	170	732	6.2 Kg	16.0 Kg	22.2 Kg
47138	VM 0112	230 M 50	538	232	150	160	170	770	9.5 Kg	16.5 Kg	26.0 Kg
47139	VM 0113	230 M 50	561	232	150	160	170	793	9.5 Kg	17.0 Kg	26.5 Kg
47140	VM 0114	230 M 50	583	232	150	160	170	815	9.5 Kg	17.0 Kg	26.5 Kg
47141	VM 0115	230 M 50	606	232	150	160	170	838	9.5 Kg	17.5 Kg	27.0 Kg
47142	VM 0117	230 M 50	651	232	150	160	170	883	11.1 Kg	18.5 Kg	29.6 Kg
47143	VM 0119	230 M 50	696	232	150	160	170	928	11.1 Kg	19.5 Kg	30.6 Kg
47144	VM 0122	230 M 50	763	232	150	160	170	995	11.1 Kg	21.0 Kg	32.1 Kg
47145	VM 0123	230 M 50	796	267	160	180	170	1063	14.0 Kg	22.0 Kg	36.0 Kg

Stuart VM 0100 230-400 T 50 Dimensions

Dimensions: VM 0100 230-400 T 50



Part No	Description	Dimensions (mm)						Motor Weight	Pump Weight	Weight (Kg)
		A	B	C	Ø D	Ø E	F			
46972	VM 0102 230-400 T 50	313	216	110	139	170	529	5.8 Kg	11.5 Kg	17.3 Kg
46973	VM 0103 230-400 T 50	336	216	110	139	170	552	5.8 Kg	12.0 Kg	17.8 Kg
46974	VM 0104 230-400 T 50	358	216	110	139	170	574	5.8 Kg	12.5 Kg	18.3 Kg
46975	VM 0105 230-400 T 50	381	216	110	139	170	597	5.8 Kg	13.0 Kg	18.8 Kg
46976	VM 0106 230-400 T 50	403	216	110	139	170	619	5.8 Kg	13.5 Kg	19.3 Kg
46977	VM 0107 230-400 T 50	426	216	110	139	170	642	5.8 Kg	14.0 Kg	19.8 Kg
46978	VM 0108 230-400 T 50	448	216	110	139	170	664	6.2 Kg	14.5 Kg	20.7 Kg
46979	VM 0109 230-400 T 50	471	216	110	139	170	687	6.2 Kg	15.0 Kg	21.2 Kg
46980	VM 0110 230-400 T 50	493	216	110	139	170	709	6.2 Kg	15.5 Kg	21.7 Kg
46981	VM 0111 230-400 T 50	516	216	110	139	170	732	6.2 Kg	16.0 Kg	22.2 Kg
46982	VM 0112 230-400 T 50	538	232	129	160	170	770	9.5 Kg	16.5 Kg	26.0 Kg
46983	VM 0113 230-400 T 50	561	232	129	160	170	793	9.5 Kg	17.0 Kg	26.5 Kg
46984	VM 0114 230-400 T 50	583	232	129	160	170	815	9.5 Kg	17.0 Kg	26.5 Kg
46985	VM 0115 230-400 T 50	606	232	129	160	170	838	9.5 Kg	17.5 Kg	27.0 Kg
46986	VM 0117 230-400 T 50	651	232	129	160	170	883	11.1 Kg	18.5 Kg	29.6 Kg
46987	VM 0119 230-400 T 50	696	232	129	160	170	928	11.1 Kg	19.5 Kg	30.6 Kg
46988	VM 0122 230-400 T 50	763	232	129	160	170	995	11.1 Kg	21.0 Kg	32.1 Kg
46989	VM 0123 230-400 T 50	796	267	138	180	170	1063	14.0 Kg	22.0 Kg	36.0 Kg

Stuart Turner Limited reserves the right to amend specifications without notice.

Stuart Turner Ltd, Market Place, Henley-on-Thames, Oxfordshire, RG9 2AD

Tel: +44 (0) 1491 572655

www.stuart-turner.co.uk

Pt. No. 21222 Issue 0321/01-01