

AQUABOOST In-Tank Booster System

Despite the compact size of the Aquaboost In-Tank water boosting systems, they offer impressive water storage facilities coupled with premium quality pumps, designed to provide a continuous delivery of high water pressure and high flow rates to multiple outlets.

This range of integrated water boosting solutions are available with variable speed pump options and are designed to optimise space and provide an extremely quiet, simple to install package for both large domestic and commercial applications.



Features

- Compact, space saving design
- Heads up to 8 bar and flow rates up to 16 m³/h
- 250 – 2000 litre cold water storage capacity options
- Extremely quiet operation
- Intelligent control system
- Variable speed single, twin and triple pump options
- Easy installation
- 25 mm cold water tank thermal insulation
- 24 litre pressure vessel included
- 2 year warranty

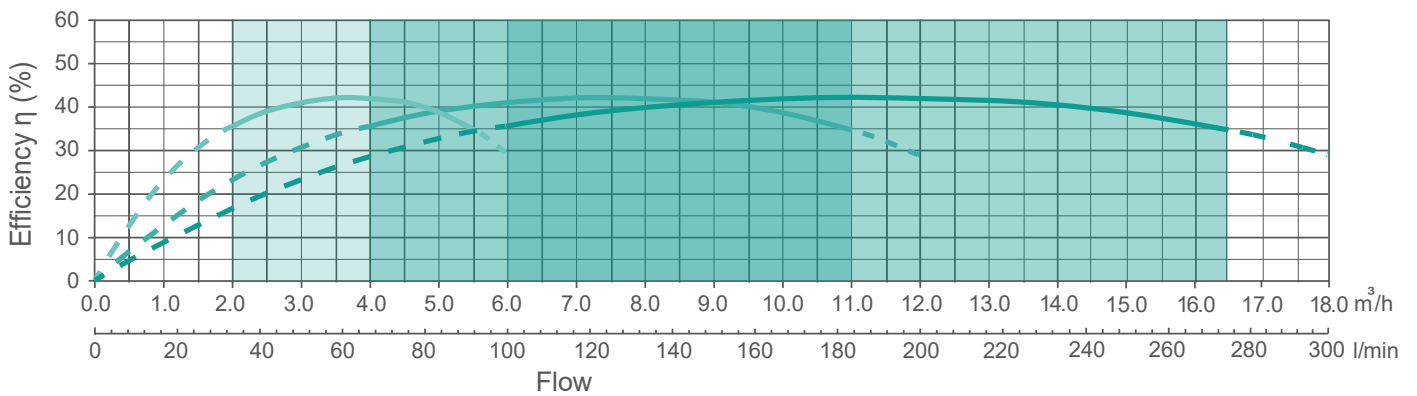
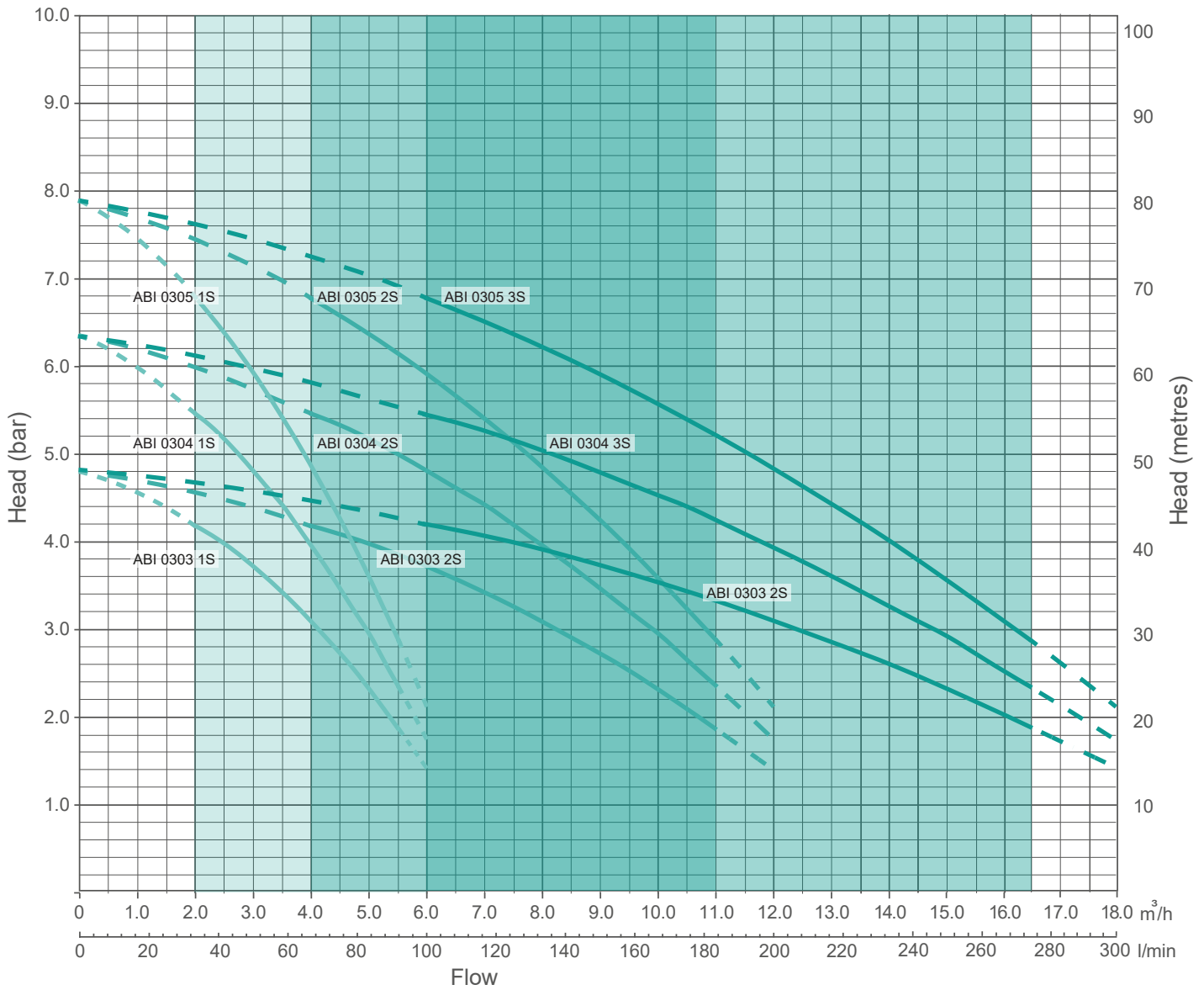
Application

- Larger domestic properties requiring an extremely quiet cold water supply boosting solution
- Light commercial applications requiring a compact unit capable of delivering high heads and flow rates

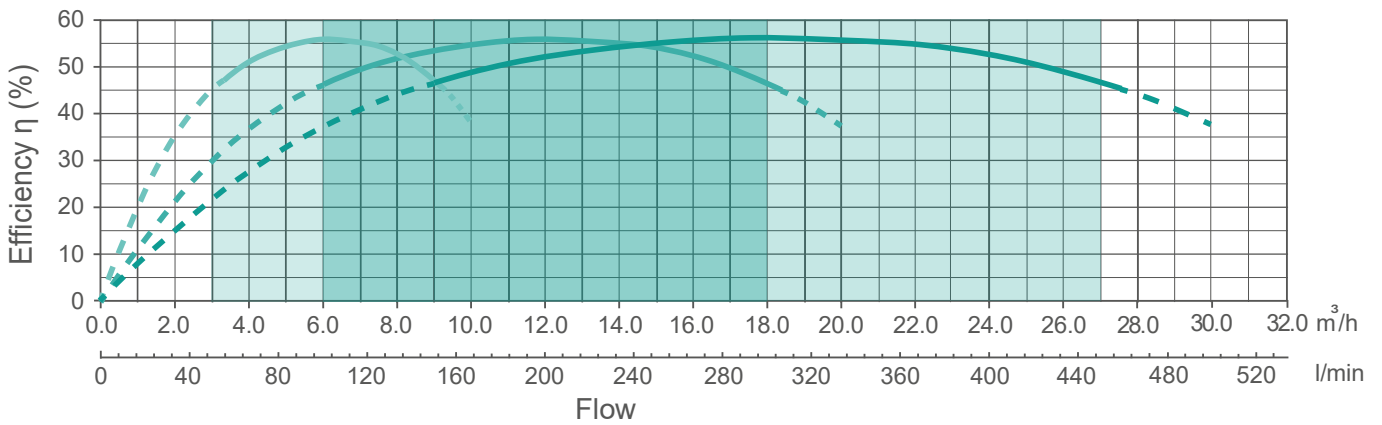
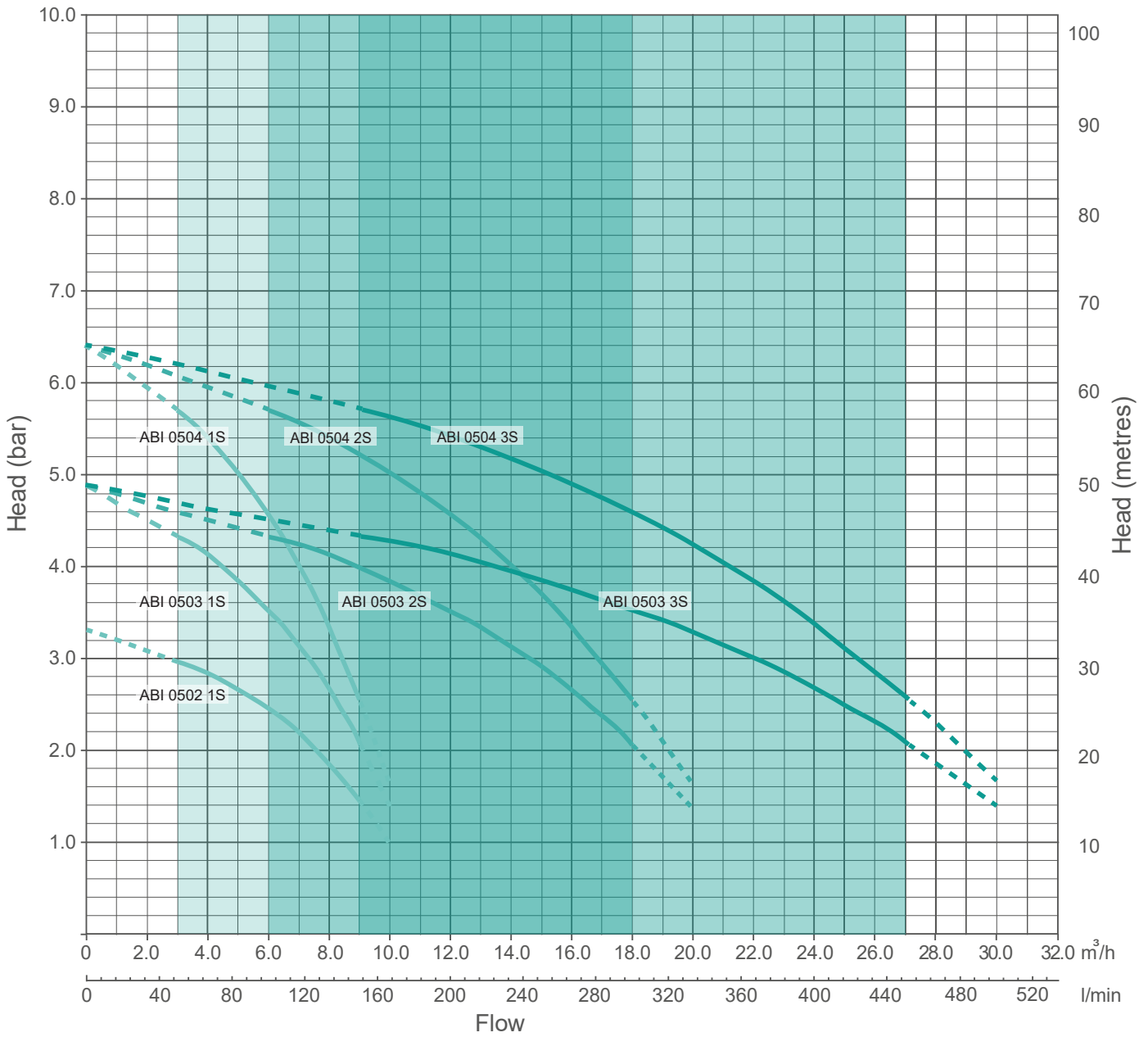
Options

- Two piece cold water storage tanks
- Advanced control systems
- Water conditioners

Aquaboost ABI Pump Performance (ABI 0303/04/05)



Aquaboost ABI Pump Performance (ABI 0502/03/04)

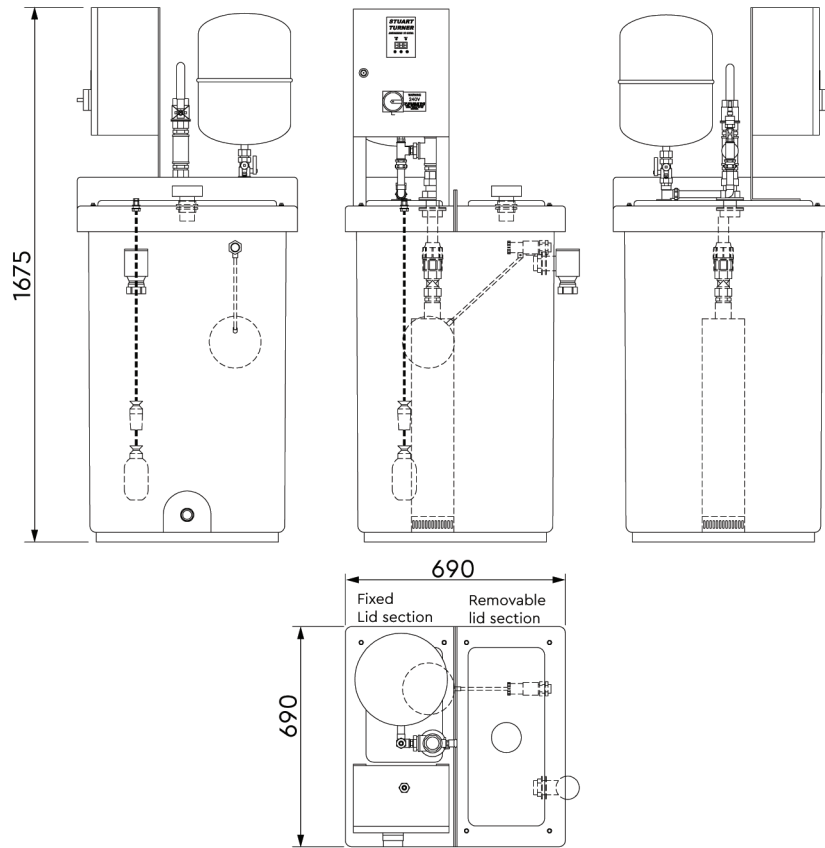


Aquaboost ABI Technical Specifications

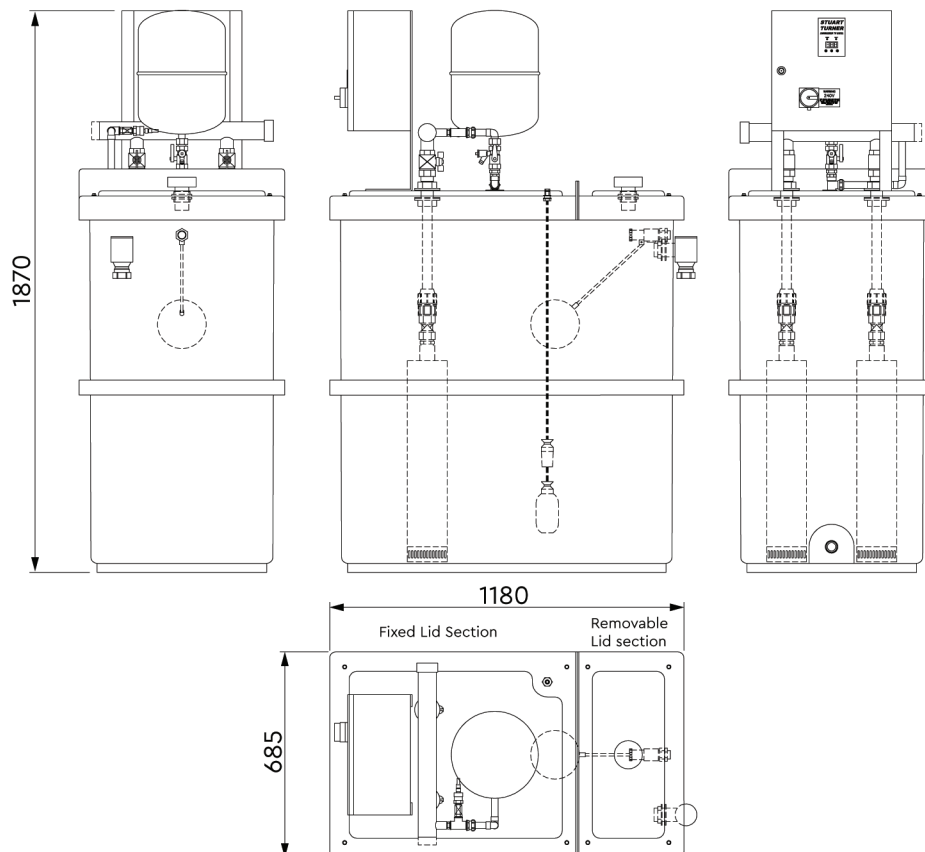
		0250	0600	0825	1000	1050	1500	2000	
General	Warranty	2 years							
	Approvals	CE							
	Typical noise	40 dB(A)							
Features	Water tank air gap	Type AF							
	Fluid category	CAT 3 / CAT 4							
	Pump control system	Variable speed / pressure transducer							
	Pump control mode (single pump)	Duty							
	Pump control mode (twin pump)	Duty-Assist / Duty-Standby							
	Pump control mode (triple pump)	Duty-Assist-Assist / Duty-Assist-Standby							
	Dry run protection	✓	✓	✓	✓	✓	✓	✓	
	Pressure Vessel	24 litre / 10 bar							
	Pump check valve(s)	✓	✓	✓	✓	✓	✓	✓	
	Output pressure gauge	✓	✓	✓	✓	✓	✓	✓	
	Flexible connection hose – outlet	✓	✓	✓	✓	✓	✓	✓	
Performance	Maximum head*	7.9 bar (79 metres)							
	Nominal duty (single pump)*	3 m ³ /h	3 m ³ /h	3 m ³ /h	5 m ³ /h	5 m ³ /h	-	-	
	Nominal duty (twin pump)*	-	6 m ³ /h	6 m ³ /h	10 m ³ /h	10 m ³ /h	10 m ³ /h	10 m ³ /h	
	Nominal duty (triple pump)*	-	-	-	15 m ³ /h	-	15 m ³ /h	15 m ³ /h	
	Maximum static inlet pressure	10 bar							
	Maximum static outlet pressure	11.1 bar							
	Ambient air temperature	0 – 40 °C							
Water tank	Nominal water tank size	250 l	600 l	825 l	1000 l	1050 l	1500 l	2000 l	
	Usable water capacity	175 l	400 l	660 l	800 l	850 l	1250 l	1700 l	
	Float valve type	Equilibrium							
	Water tank fill rate	60 l/min	60 l/min	150 l/min	150 l/min	150 l/min	150 l/min	150 l/min	
Connections	Inlet connection (single/twin)	¾ " "	¾ " "	1 " "	1 " "	1 " "	1 " "	1 " "	
	Inlet connection (triple)	-	-	-	1 ¼ " "	-	1 ¼ " "	1 ¼ " "	
	Outlet connection (single)	1 ¼ " BSP	1 ¼ " BSP	1 ¼ " BSP	1 ¼ " BSP	1 ¼ " BSP	-	-	
	Outlet connection (twin/triple)	-	2 " BSP	2 " BSP	2 " BSP	2 " BSP	2 " BSP	2 " BSP	
	Outlet connection hose (single)	1 ¼ " BSP x 300 mm					-	-	
	Outlet connection hose (twin/triple)	-	2 " BSP x 350 mm						
	Overflow connection (single/twin)	1 ¼ " "	1 ¼ " "	1 ½ " "	1 ½ " "	1 ½ " "	1 ½ " "	1 ½ " "	
	Overflow connection (triple)	-	-	-	2 " "	-	2 " "	2 " "	
	Drain connection	1 " "	1 " "	1 " "	1 " "	1 " "	1 " "	1 " "	
Materials	Water tank	Reinforced, pre-insulated GRP							
	Water tank base	Encapsulated marine ply							
Manifold	Manifold construction	Stainless steel							
	Pump isolation valves	Full bore, lever							
Pump	Pump type	Submersible multistage centrifugal							
	Motor type	Induction, thermal protection							
	Duty rating	Continuous (S1)							
Electrical	Power supply / phase / frequency	16 A 230 V.a.c./1/50 Hz							
	Enclosure protection	IPX4							
Dimensions	Depth	690 mm	1180 mm	1665 mm	1185 mm	1650 mm	1190 mm	1195 mm	
	Width	690 mm	685 mm	665 mm	1185 mm	650 mm	1705 mm	2195 mm	
	Height	1675 mm	1870 mm	1757 mm	1657 mm	2057 mm	1657 mm	1657 mm	
Weight (dry/filled)	Single pump	Dry	70 Kg	90 Kg	110 Kg	100 Kg	120 Kg	-	-
		Filled	270 Kg	560 Kg	980 Kg	930 Kg	990 Kg	-	-
	Twin pump	Dry	-	110 Kg	130 Kg	130 Kg	140 Kg	150 Kg	220 Kg
		Filled	-	600 Kg	990 Kg	960 Kg	1020 Kg	1310 Kg	1380 Kg
	Triple pump	Dry	-	-	-	160 Kg	-	170 Kg	240 Kg
		Filled	-	-	-	990 Kg	-	1330 Kg	1400 Kg

*Model dependant – see pump characteristic curves

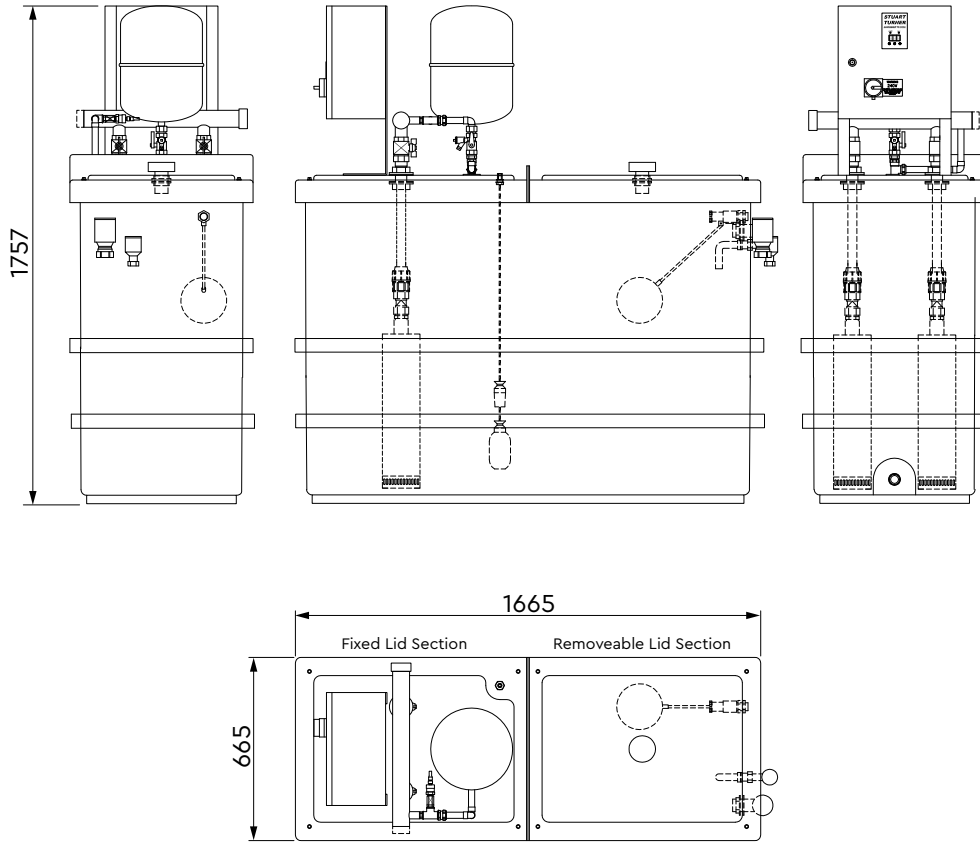
Aquaboost ABI 250 System Dimensions



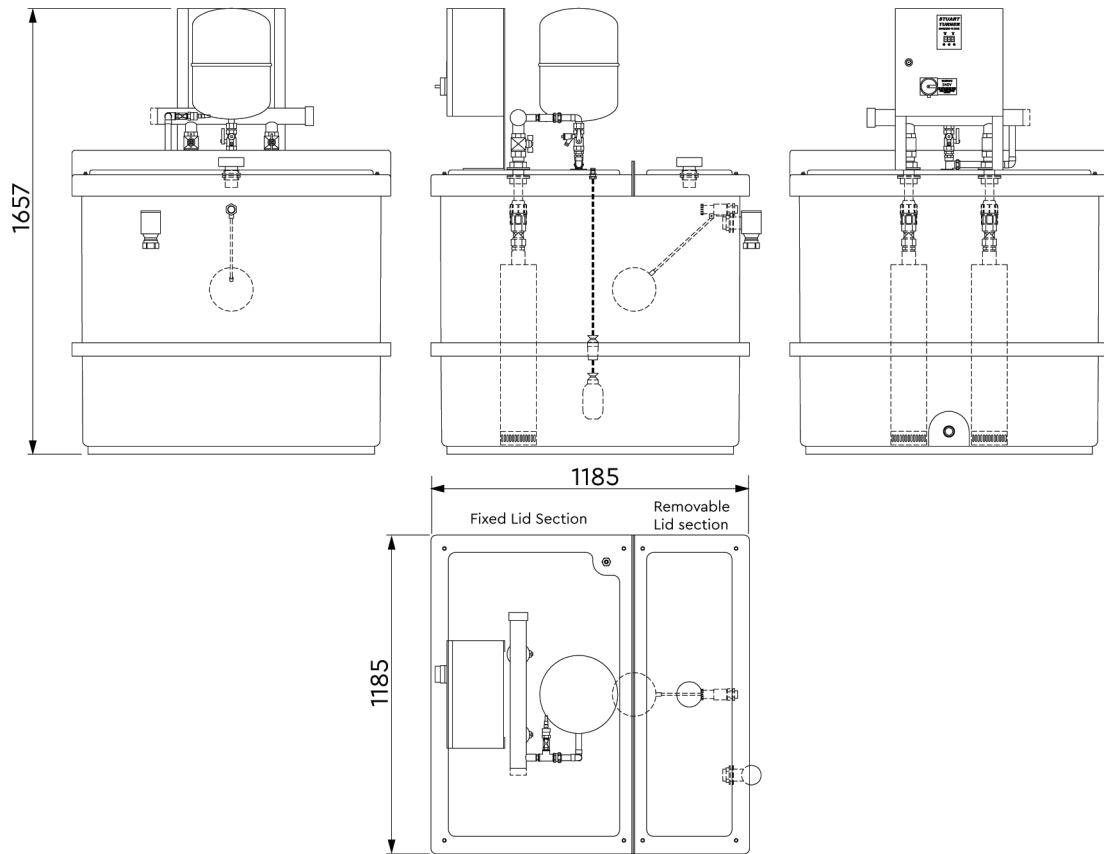
Aquaboost ABI 600 System Dimensions



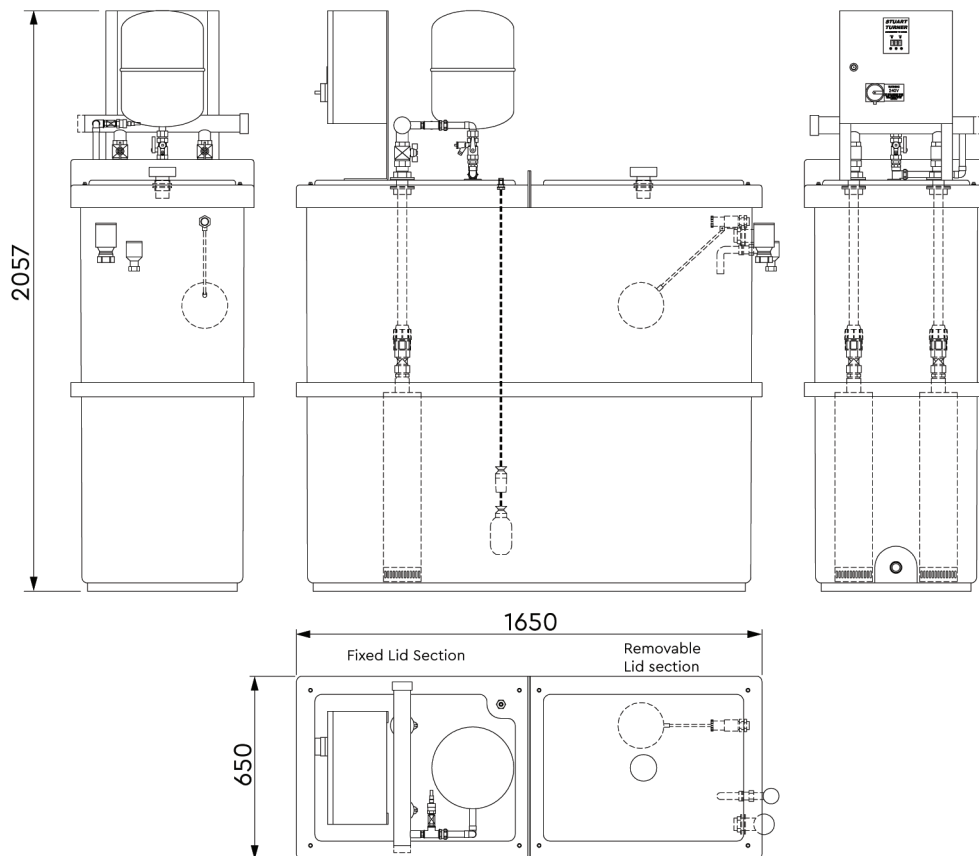
Aquaboost ABI 825 System Dimensions



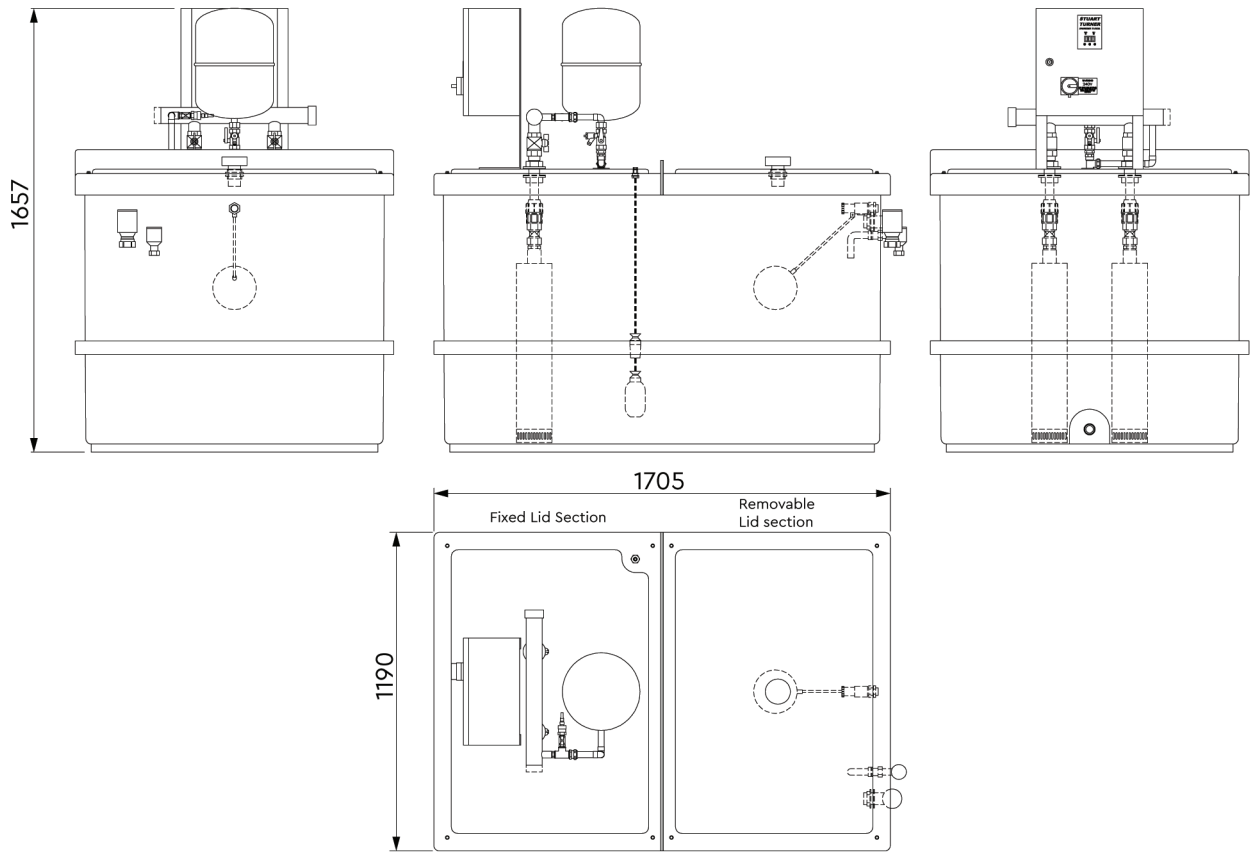
Aquaboost ABI 1000 System Dimensions



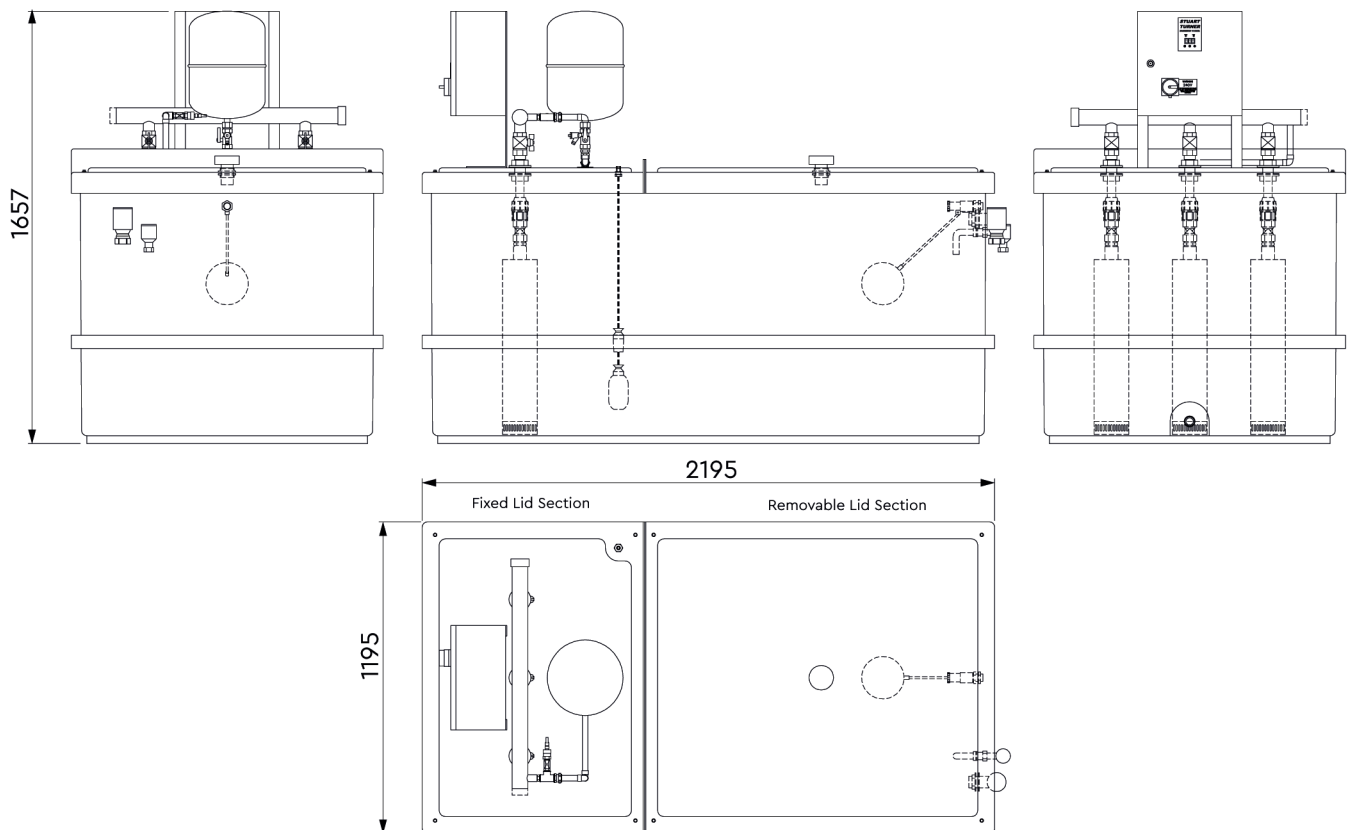
Aquaboost ABI 1050 System Dimensions



Aquaboost ABI 1500 System Dimensions



Aquaboost ABI 2000 System Dimensions



Aquaboost ABI Product Range Summary

Model	Nominal flow (m ³ /h)	Nominal head (bar)	Max head (bar)	Pumps	Nominal Tank size (litres)	Product code
ABI 0303 1S-SPC/M 0250	3	3.7	4.8	1	250	47076
ABI 0304 1S-SPC/M 0250	3	4.8	6.4	1	250	47077
ABI 0305 1S-SPC/M 0250	3	5.9	7.9	1	250	47078
ABI 0303 1S-SPC/M 0600	3	3.7	4.8	1	600	47079
ABI 0304 1S-SPC/M 0600	3	4.8	6.4	1	600	47080
ABI 0305 1S-SPC/M 0600	3	5.9	7.9	1	600	47081
ABI 0303 2S-SPC/M 0600	6	3.7	4.8	2	600	47094
ABI 0304 2S-SPC/M 0600	6	4.8	6.4	2	600	47095
ABI 0305 2S-SPC/M 0600	6	5.9	7.9	2	600	47096
ABI 0303 1S-SPC/M 0825	3	3.7	4.8	1	825	47362
ABI 0304 1S-SPC/M 0825	3	4.8	6.4	1	825	47363
ABI 0305 1S-SPC/M 0825	3	5.9	7.9	1	825	47364
ABI 0303 2S-SPC/M 0825	6	3.7	4.8	2	825	47365
ABI 0304 2S-SPC/M 0825	6	4.8	6.4	2	825	47366
ABI 0305 2S-SPC/M 0825	6	5.9	7.9	2	825	47367
ABI 0303 1S-SPC/M 1000	3	3.7	4.8	1	1000	47082
ABI 0304 1S-SPC/M 1000	3	4.8	6.4	1	1000	47083
ABI 0305 1S-SPC/M 1000	3	5.9	7.9	1	1000	47084
ABI 0502 1S-SPC/M 1000	5	2.7	3.3	1	1000	47085
ABI 0503 1S-SPC/M 1000	5	3.9	4.9	1	1000	47086
ABI 0504 1S-SPC/M 1000	5	5.0	6.4	1	1000	47087
ABI 0303 2S-SPC/M 1000	6	3.7	4.8	2	1000	47097
ABI 0304 2S-SPC/M 1000	6	4.8	6.4	2	1000	47098
ABI 0305 2S-SPC/M 1000	6	5.9	7.9	2	1000	47099
ABI 0503 2S-SPC/M 1000	6	3.9	4.9	2	1000	47100
ABI 0504 2S-SPC/M 1000	10	5.0	6.4	2	1000	47101
ABI 0303 3S-SPC/M 1000	9	3.7	4.8	3	1000	47262
ABI 0304 3S-SPC/M 1000	9	4.8	6.4	3	1000	47263
ABI 0305 3S-SPC/M 1000	9	5.9	7.9	3	1000	47264
ABI 0503 3S-SPC/M 1000	15	3.9	4.9	3	1000	47265
ABI 0504 3S-SPC/M 1000	15	5.0	6.4	3	1000	47266

Aquaboost ABI Product Range Summary

Model	Nominal flow (m ³ /h)	Nominal head (bar)	Max head (bar)	Pumps	Nominal Tank size (litres)	Product code
ABI 0303 1S-SPC/M 1050	3	3.7	4.8	1	1050	47088
ABI 0304 1S-SPC/M 1050	3	4.8	6.4	1	1050	47089
ABI 0305 1S-SPC/M 1050	3	5.9	7.9	1	1050	47090
ABI 0502 1S-SPC/M 1050	5	2.7	3.3	1	1050	47091
ABI 0503 1S-SPC/M 1050	5	3.9	4.8	1	1050	47092
ABI 0504 1S-SPC/M 1050	5	5.0	6.4	1	1050	47093
ABI 0303 2S-SPC/M 1050	6	3.7	4.9	2	1050	47102
ABI 0304 2S-SPC/M 1050	6	4.8	6.4	2	1050	47103
ABI 0305 2S-SPC/M 1050	6	5.9	7.9	2	1050	47104
ABI 0503 2S-SPC/M 1050	10	3.9	4.9	2	1050	47105
ABI 0504 2S-SPC/M 1050	10	5.0	6.4	2	1050	47106
ABI 0303 2S-SPC/M 1500	6	3.7	4.9	2	1500	47107
ABI 0304 2S-SPC/M 1500	6	4.8	6.4	2	1500	47108
ABI 0305 2S-SPC/M 1500	6	5.9	7.9	2	1500	47109
ABI 0503 2S-SPC/M 1500	10	3.9	4.9	2	1500	47110
ABI 0504 2S-SPC/M 1500	10	5.0	6.4	2	1500	47111
ABI 0303 3S-SPC/M 1500	9	3.7	4.8	3	1500	47267
ABI 0304 3S-SPC/M 1500	9	4.8	6.4	3	1500	47268
ABI 0305 3S-SPC/M 1500	9	5.9	7.9	3	1500	47269
ABI 0503 3S-SPC/M 1500	15	3.9	4.9	3	1500	47270
ABI 0504 3S-SPC/M 1500	15	5.0	6.4	3	1500	47271
ABI 0303 2S-SPC/M 2000	6	3.7	4.8	2	2000	47272
ABI 0304 2S-SPC/M 2000	6	4.8	6.4	2	2000	47273
ABI 0305 2S-SPC/M 2000	6	5.9	7.9	2	2000	47274
ABI 0503 2S-SPC/M 2000	10	3.9	4.9	2	2000	47275
ABI 0504 2S-SPC/M 2000	10	5.0	6.4	2	2000	47276
ABI 0303 3S-SPC/M 2000	9	3.7	4.8	3	2000	47277
ABI 0304 3S-SPC/M 2000	9	4.8	6.4	3	2000	47278
ABI 0305 3S-SPC/M 2000	9	5.9	7.9	3	2000	47279
ABI 0503 3S-SPC/M 2000	15	3.9	4.9	3	2000	47280
ABI 0504 3S-SPC/M 2000	15	5.0	6.4	3	2000	47281

Stuart Turner Limited reserves the right to amend specifications without notice.

Stuart Turner Ltd, Henley-on-Thames, Oxfordshire RG9 2AD Tel: +44 (0) 1491 572655 Fax: +44 (0) 1491 573704
 TechAssist Helpline +44 (0) 800 31 969 80
www.stuart-turner.co.uk

Pt. No. 20649 Issue 1421/01-01