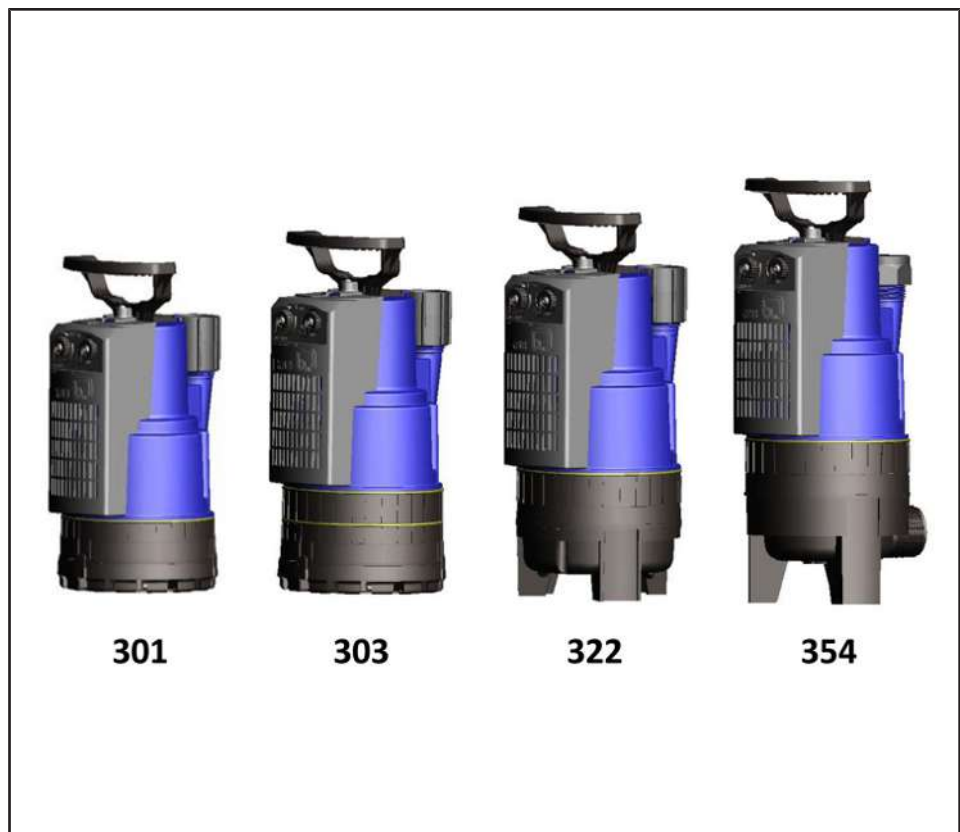


Submersible Waste Water Pump

AmaDrainer 3

For the UK

Type Series Booklet



Legal information/Copyright

Type Series Booklet AmaDrainer 3

All rights reserved. The contents provided herein must neither be distributed, copied, reproduced, edited or processed for any other purpose, nor otherwise transmitted, published or made available to a third party without the manufacturer's express written consent.

Subject to technical modification without prior notice.

© KSB SE & Co. KGaA, Frankenthal 09/02/2021

Contents

Building Services: Drainage	4
Drainage Pumps / Waste Water Pumps	4
AmaDrainer 3	4
Main applications.....	4
Fluids handled	4
Operating data.....	4
Design details	4
Designation	5
Materials.....	5
Product benefits.....	5
Product information	5
Overview of product features / selection tables	6
Technical data	7
Characteristic curves.....	8
Dimensions and connections	10
Spare parts.....	13
Scope of supply	13
Accessories.....	14
Exploded view and list of components.....	16

Building Services: Drainage

Drainage Pumps / Waste Water Pumps

AmaDrainer 3


301
303
322
354

Main applications

- Drainage
- Disposal
- Drainage systems
- Lowering groundwater levels
- Maintaining groundwater levels
- Draining of pits, shafts, etc.

Fluids handled

- Sizes 301, 303:
 - Solid particles with a particle size of up to 10 mm
- Size 322:
 - Solid particles with a particle size of up to 18 mm

Material variant A (standard variant)

- Slightly contaminated waste water (up to 70 °C max.)
- Wash water (up to 90 °C max. for short periods $t \leq 3$ minutes)
- Waste water without faeces
- Seepage water
- River water, lake water and groundwater

Material variant C (for aggressive fluids)¹⁾

- Seawater (up to 20 °C max.)
- Brackish water
- Water containing salt (up to 20 °C max.)

Further information on fluids handled

Overview of fluids handled (⇒ Page 6)

¹ On request

Operating data

Operating properties

Characteristic		Value
Flow rate	Q [m ³ /h]	≤ 13,5
	Q [l/s]	≤ 3,75
Head	H [m]	≤ 11,3
Fluid temperature	T [°C]	≤ +70 (continuous duty)
		≤ +90 (short-time duty)

Design details

Design

- Fully floodable submersible motor pump
- Close-coupled design
- Single-stage
- Wetted parts made of materials coated with anti-corrosive
- Maximum immersion depth: 2 m
- Integrated swing check valve
- Size 322:
 - Integrated pump sump cleaning option

Installation

- Vertical installation
- Wet-installed transportable model

Drive

- Jacket-cooled single-phase AC motor
- 230 V, 50 Hz
- Frequency of starts ≤ 30 starts/hour
- Integrated temperature switch
- Enclosure IP68 (permanently submerged) to EN 60529 / IEC 529
- Power cable incl. shockproof plug

Shaft seal

- Drive end, 1 shaft seal ring
- Pump-end, 1 shaft seal ring
- Grease reservoir between the seals for lubrication
- Grease-packed for life
- Maintenance-free

Bearings

- Rolling element bearings
- Grease-packed for life
- Maintenance-free

Automation

- Pump controlled via integrated float switch
- Pump controlled by external control unit

Designation

Example: AmaDrainer 301 C

Designation key

Code	Description	
AmaDrainer 3	Type series	
0	Free passage [mm]	
	0	10 mm
	2	18 mm
1	Characteristic curve	
	1	Characteristic curve 301
	2	Characteristic curve 322
	3	Characteristic curve 303
C	Material variant	
	C	Variant for aggressive fluids
	_)2)	Standard variant

Materials

Overview of available materials

Part No. (⇒ Page 16)	Description	Material variant A		Material variant C	
		301, 303	322	301, 303	322
101	Pump casing	Polypropylene, 30 % glass fibre reinforced			
107	Discharge casing	Polypropylene, 30 % glass fibre reinforced			
161	Casing cover	Polypropylene with 20 % talc (PP-TS 20)			
210	Shaft	AISI 431		Drive end: AISI 431 Pump end: AISI 316L	
230	Impeller	Noryl GNF2	Polyamide	Noryl GNF2	Polyamide
79-1	Automatic switchgear	Polypropylene			
811	Motor housing	AISI 304		AISI 316L	

Product benefits

- Space-saving design with the smallest possible dimensions
- Ready-to-connect, easy installation and commissioning
- Flexible use with and without external control unit by simply locking the float switch in continuously ON position.
- Maintenance-free with grease-packed bearings sealed for life
- Low-weight, corrosion-resistant, impact-resistant, abrasion-resistant, noise-dampening high-quality plastic housing with robust handle
- All sizes available in material variant for aggressive fluids³⁾
- Sizes 301, 303:
 - Integrated low water level intake option for residual water level as low as 2 mm
- Sizes 301, 303, 322:
 - Integrated swing check valve
- Size 322:
 - Integrated pump sump cleaning option

Product information

Product information as per Regulation No. 1907/2006 (REACH)

For information as per chemicals Regulation (EC) No 1907/2006 (REACH), see https://www.ksb.com/ksb-de/konzern/Unternehmerische_Verantwortung/reach/

² Blank

³ On request

Overview of product features / selection tables
Overview of fluids handled
KSB EasySelect, selection software for all applications


KSB EasySelect is a comprehensive selection tool for all applications. It guides users to an optimal solution for their projects by offering a fast, easy and user-friendly way to select and configure pumps and valves. All that is required are some project-specific criteria and a few minutes' time. The tool systematically guides the user through KSB's wide range of products to the right product for the application at hand.

KSB EasySelect



Other fluids upon request.

Symbols key

Symbol	Description
X	Standard
-	Version not available / not feasible

The table of fluids handled is a selection aid for different applications. It serves as guidance and is based on long-standing experience. The data are reference values and are not to be considered generally binding recommendations. They shall not be the basis for warranty claims. Please contact your nearest sales branch for in-depth advice.

Table of fluids handled

Fluids handled	Material variant A	Material variant C
Antifrogen-water mixture	X	-
Cider	X	-
Beer	X	-
Spirits	X	-
Buttermilk	X	-
Calcium acetate	X	-
Calcium hydroxide	X	-
Deionised water	X	-
Peanut oil	X	-
Vinegar	-	X
Ethylene glycol	X	-
Liquid fertiliser	X	-
Antifreeze	X	-
Glycerine	X	-
Grisiron	X	-
Uric acid	X	-
Potassium hydroxide	X	-
Calcium carbonate	X	-
Coconut oil	X	-
Evaporated milk	X	-
Lemonades	X	-
Corn oil	X	-
Milk	X	-
Whey	X	-
Sodium carbonate	X	-
Sodium chloride up to 3 % concentration	-	X
Sodium hydrogen phosphate	X	-
Sodium nitrate	X	-
Sodium perborate	X	-
Sodium sulphate	X	-
Polyglycols	X	-
Rapeseed oil	X	-
Castor oil	X	-
Silicone oil	X	-
Silo leachate	-	X
Soybean oil	X	-
Edible vinegar	-	X

Fluids handled	Material variant A	Material variant C
Edible oil	X	-
Trisodium phosphate	X	-
Vaseline	X	-
Washing machine lye	X	-
Water		
Drainage water	X	-
Fire-fighting water	X	-
Heating water	X	-
Lime water	-	X
Boiler water	X	-
Condensate	-	X
Cooling water	X	-
Seawater	-	X ⁴⁾
Raw water	X	-
Swimming pool water (DIN 19643)	-	X
Salt water	-	X ⁴⁾
Partly desalinated water	X	-
Fully desalinated water	-	X

Technical data

AmaDrainer 3

Material variant C on request

Technical data – 230 V, 50 Hz

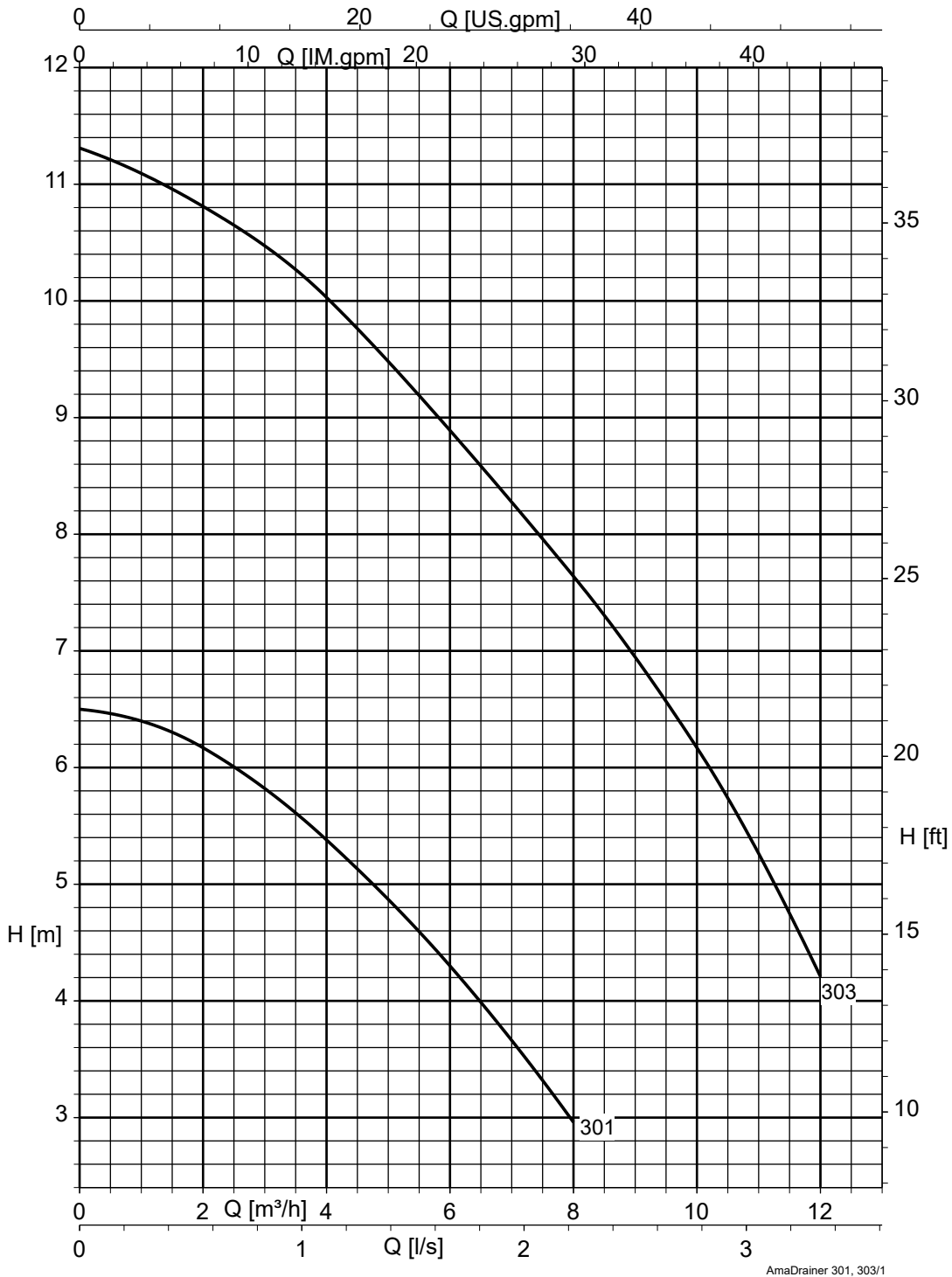
Size	Discharge-side connection	Free passage [mm]	P ₁ [kW]	P _N [kW]	I _N 1~230 V [A]	Power cable		Mat. No.	[kg]
						H05RN8-F			
						[m]	[mm ²]		
Material variant A (standard variant)									
301 ⁵⁾	Rp 1 1/4	10	0,43	0,25	1,90	10	3 × 0,75	48242504	4,2
303	Rp 1 1/4	10	0,90	0,60	4,00	10	3 × 0,75	48242505	5,4
322	Rp 1 1/4	18	0,70	0,40	3,50	10	3 × 0,75	48242506	5,4

⁴ Fluid temperature ≤ 20 °C

⁵ Discharge-side adapter, graded (Rp 1 1/4 to Rp 3/4 connection, DN 25 or DN 32), included in the scope of supply

Characteristic curves

AmaDrainer 301, 303, n = 2800 rpm

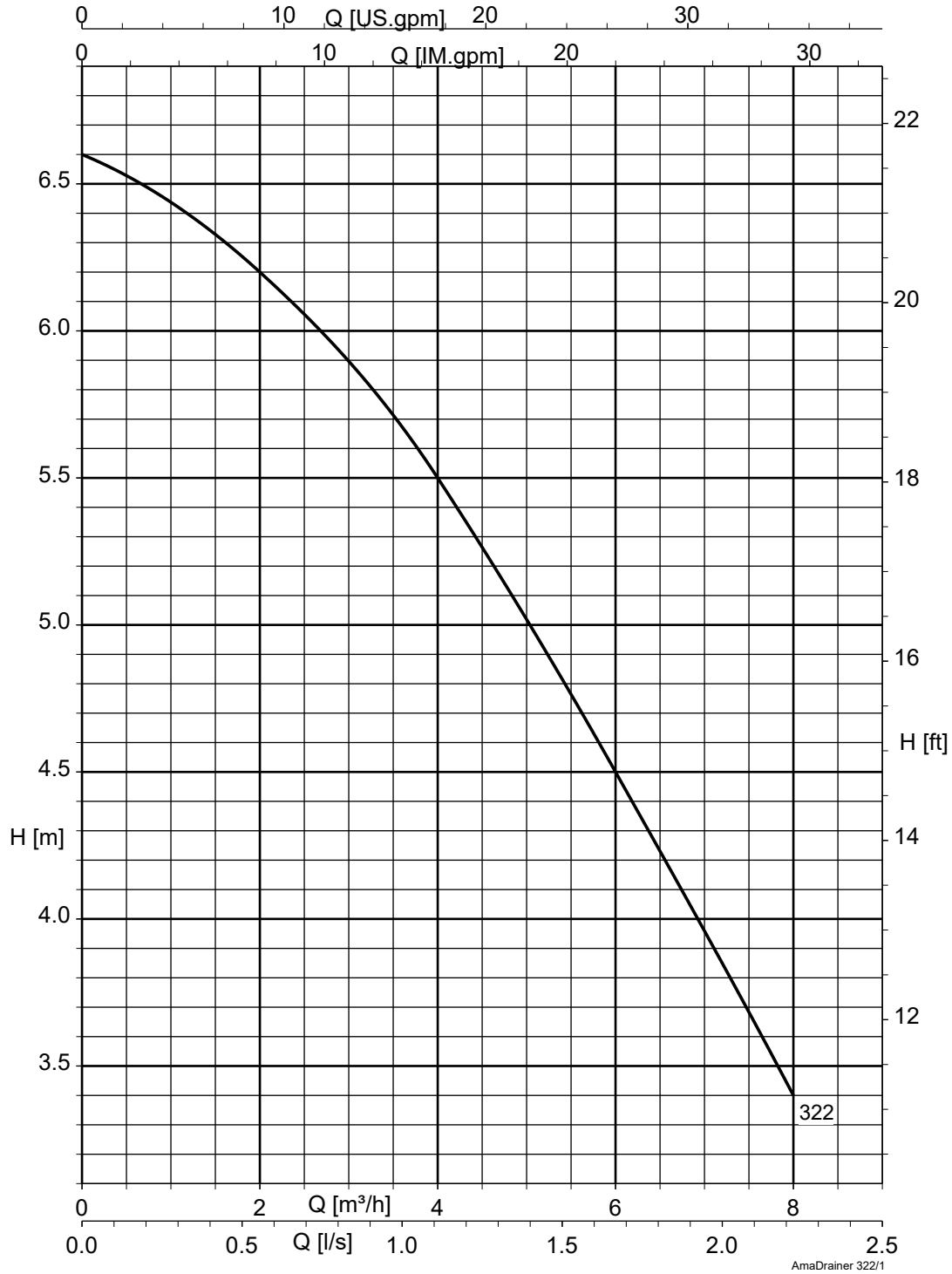


Sizes 301, 303: free passage = 10 mm

Performance tolerance to ISO 9906, Annex A (water under standard conditions)

i The characteristic curves shown are those of the respective pumps. Hydraulic losses caused by the discharge-side piping, both inside and outside of the Ama-Drainer-Box lifting unit, must be taken into account during product selection.

AmaDrainer 322, n = 2800 rpm



Size 322: free passage = 18 mm

Performance tolerance to ISO 9906, Annex A (water under standard conditions)

i The characteristic curves shown are those of the respective pumps. Hydraulic losses caused by the discharge-side piping, both inside and outside of the Ama-Drainer-Box lifting unit, must be taken into account during product selection.

Dimensions and connections

AmaDrainer 3

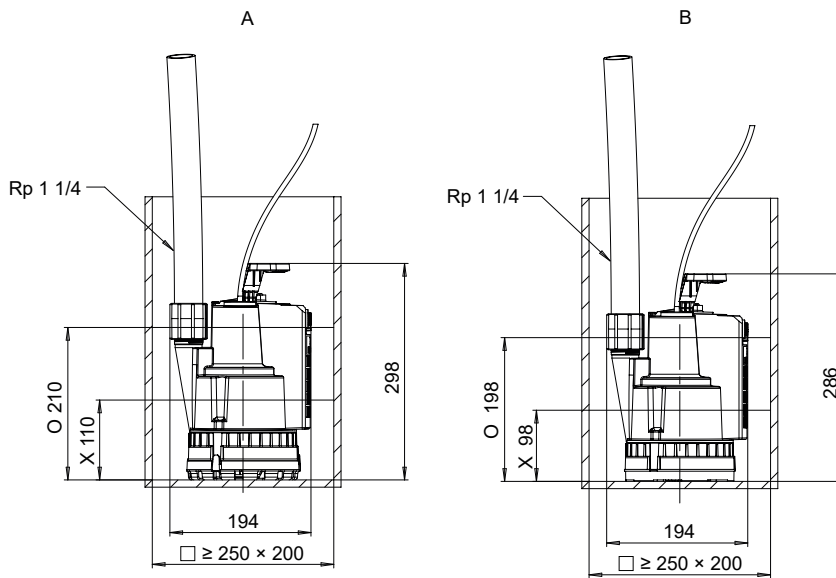


Fig. 1: Dimensions of AmaDrainer 301 [mm]

A	Standard installation
B	Installation for low water level intake, residual water level: 2 mm
O	Switching point ON
X	Switching point OFF
□	Minimum floor area required for installation in a tank or sump ⁶⁾

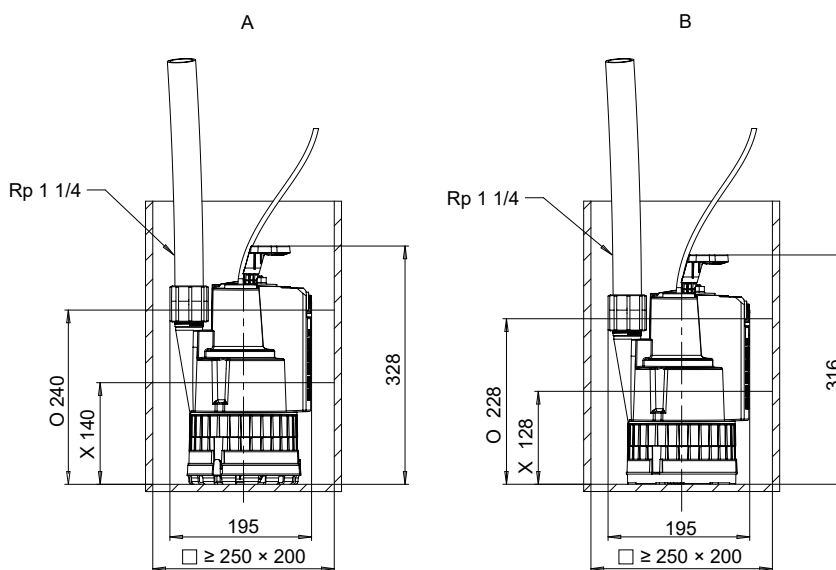


Fig. 2: Dimensions of AmaDrainer 303 [mm]

A	Standard installation
B	Installation for low water level intake, residual water level: 2 mm
O	Switching point ON
X	Switching point OFF
□	Minimum floor area required for installation in a tank or sump ⁶⁾

⁶⁾ When selecting the tank or sump take into account the pump set's maximum frequency of starts. If the frequency of starts would be too high, use a larger tank or sump if necessary.

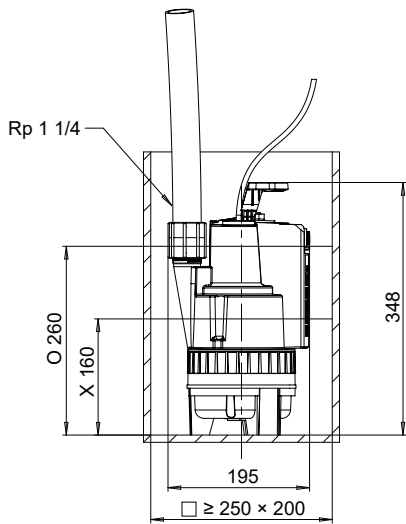


Fig. 3: Dimensions of AmaDrainer 322 [mm]

O	Switching point ON
X	Switching point OFF
□	Minimum floor area required for installation in a tank or sump ⁶⁾

i AmaDrainer 322: The pump foot is provided with cleaning openings for cleaning the pump sump. The pump is delivered with the cleaning openings closed. They can be drilled open if required (diameter: 4 mm).

Installation example of a dual-pump station

i The inlet is positioned above the highest float switch.

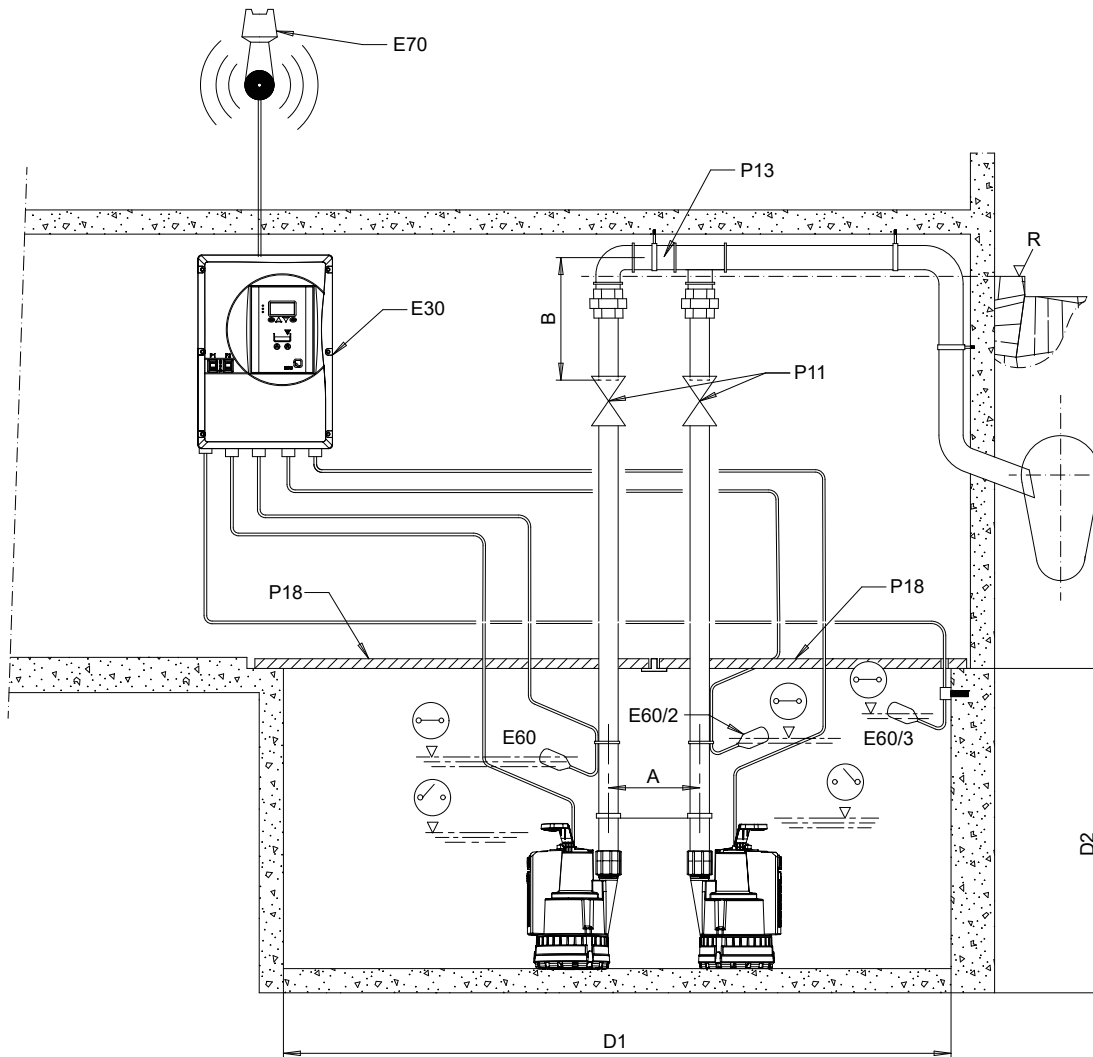


Fig. 4: Installation example of an AmaDrainer 301, 303, 322 dual-pump station




E30	Control unit
E60	Float switch, base load
E60/2	Float switch, peak load
E60/3	Float switch, high water alert
E70	Horn
P11	Shut-off valve
P13	Y-pipe
P18	Cover plate
R	Flood level

Dimensions of an AmaDrainer 301, 303, 322 dual-pump station

Size	A	B	D1	D2
	[mm]	[mm]	[mm]	[mm]
301	275	320	1060 × 500	420
303	275	320	1060 × 500	450
322	275	320	1060 × 500	470

Spare parts

Overview of spare parts

Part No.	Description	AmaDrainer			Mat. No.	[kg]
		301	303	322		
79-1 	Repair set for automatic switchgear	X	X	X	01833946	0,16
576 	Handle	X	X	X	01834007	0,05
748 	Suction strainer	X	X	-	01834008	0,08










Scope of supply

Depending on the model, the following items are included in the scope of supply:



- Pump set
- Installation/operating manual
- Size 301:
 - Discharge-side adapter, graded (connection Rp 1 1/4 to Rp 3/4, DN 25 or DN 32)
- Sizes 301, 303:
 - Removable suction strainer enabling low water level intake
- Sizes 301, 303, 322:
 - Integrated swing check valve
 - Connection socket with internal thread
- Size 322:
 - Integrated pump sump cleaning option

Accessories
Pump accessories


Overview of pump accessories

Item	Description	Connection	AmaDrainer			Mat. No.	[kg]
			301	303	322		
 P5	Discharge-side adapter, graded For connecting various discharge lines (connections Rp 1 1/4 to Rp 3/4, DN 25 or DN 32)	Rp 1 1/4 to Rp 3/4, DN 25 or DN 32	- ⁷⁾	X	X	05086820	0,156
 P10	RK swing check valve Plastic, EN 12 050-4, with internal thread ISO 7/1, with full port and drain plug	Rp 1 1/4	X	X	X	01009771	0,1
 P10	Lift check valve, stainless steel (1.4401)	Rp 1 1/4	X	X	X	01084936	2,1
 P11	Socket gate valve Material: CuZn, PN 16, with internal thread, with full port	Rp 1 1/4	X	X	X	01014219	0,627
 P13	Y-pipe for dual-pump sets, with external thread, galvanised steel	Rp 1 1/4	X	X	X	18040311	4,1
 P18	Cover plate Tread-proof, split, with profile seals and angle iron mounting frame (type A 560) for 500 x 500 mm pits (Dual-pump sets with P13 Y-pipe are equipped with 2 cover plates next to each other.)	Rp 1 1/4	X	X	X	18075627	13
 P21	A 25 B drain hose set (see P32) Comprising: rigid coupling with external thread, 6 m plastic hose DN 25, rapid-action hose coupling Rp 1 1/4, (free passage 21 mm)	Rp 1 1/4	X	X	X	18079719	3
 P24	Storz rigid coupling with internal thread to DIN ISO 228/1 Aluminium alloy, for required piping components see P32	C-G 1 1/2	X	X	X	01002463	0,3
 P26	Storz hose coupling Required counterpart see P24	C 52 (DIN 14321)	X	X	X	00524551	0,3

⁷⁾ Included in the scope of supply

Item	Description	Connection	AmaDrainer			Mat. No.	[kg]
			301	303	322		
 P28	Plastic hose DN 40, with integrated C couplings, DIN 14811	C 42-5 m	X	X	X	01062592	1,7
		C 42-10 m	X	X	X	01062593	2,8
		C 42-20 m	X	X	X	01062594	5
	Plastic hose DN 50, DIN 14811, with integrated C couplings Required piping components see P32	C 52	X	X	X	00522262	2,3
		C 52	X	X	X	00522263	4,2
		C 52	X	X	X	00522264	5,7
 P32	Pipe extension for Storz rigid coupling C (P24) PVC hard, internal/external thread For use without swing check valve and union nut	Female Rp 1 1/4 / Male R 1 1/2 × 170	X	X	X	11035587	0,2

Control units and switchgear

 Control units and switchgear on request

Exploded view and list of components

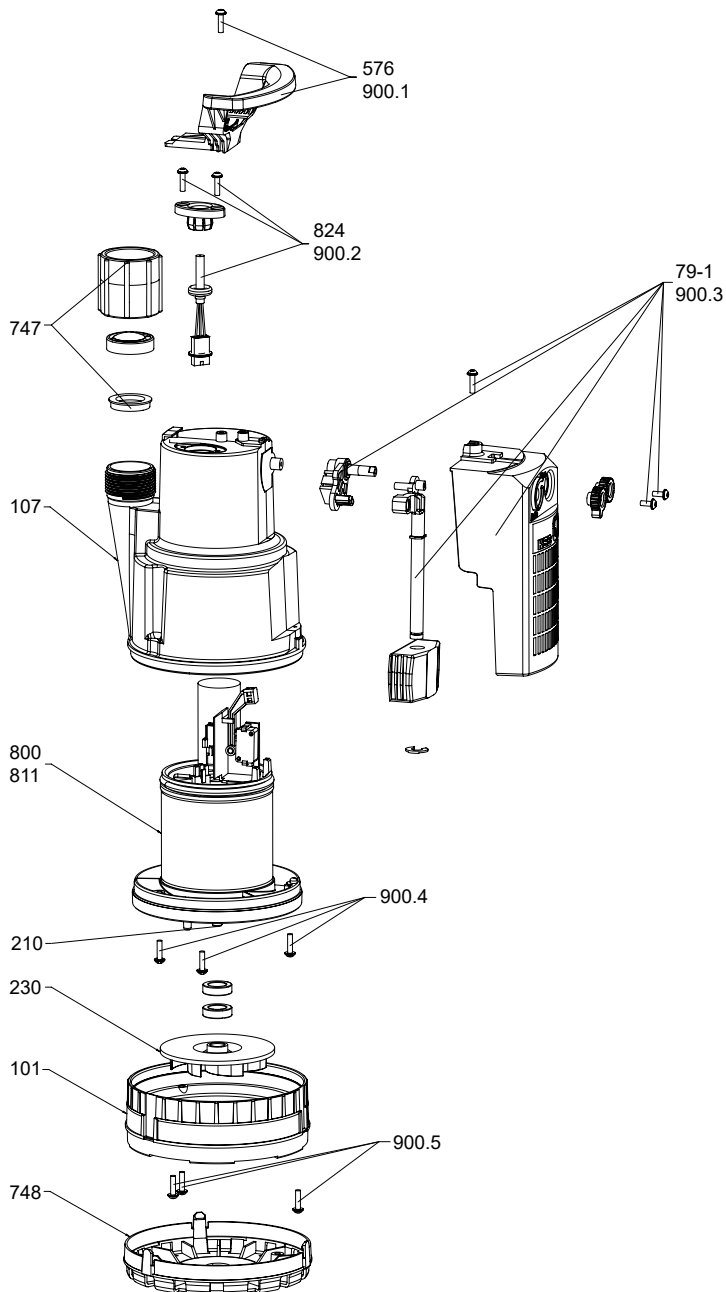


Fig. 5: Exploded view of AmaDrainer 301, 303

List of components of AmaDrainer 301, 303

Part No.	Description	Part No.	Description
101	Pump casing	747	Swing check valve
107	Discharge casing	748	Suction strainer
210	Shaft	800	Motor
230	Impeller	811	Motor housing
576	Handle	824	Power cable
79-1	Automatic switchgear, external	900.1/.2/.3/.4/.5	Bolt/screw

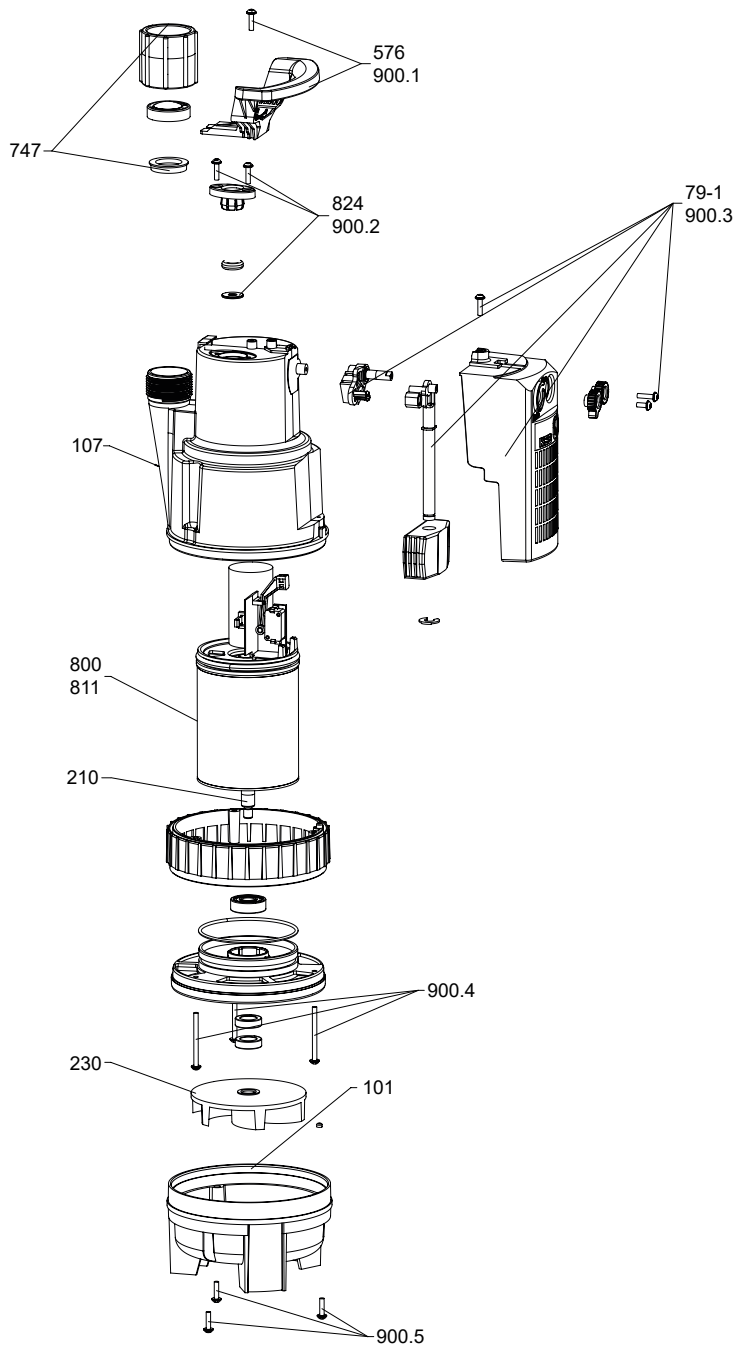


Fig. 6: Exploded view of AmaDrainer 322

List of components of AmaDrainer 322

Part No.	Description	Part No.	Description
101	Pump casing	79-1	Automatic switchgear, external
107	Discharge casing	747	Swing check valve
210	Shaft	800	Motor
230	Impeller	811	Motor housing
576	Handle	824	Power cable
73-3	Hose connection (90° bend)	900.1/.2/.3/.4/.5	Bolt/screw



KSB SE & Co. KGaA
Johann-Klein-Straße 9 • 67227 Frankenthal (Germany)
Tel. +49 6233 86-0
www.ksb.com