

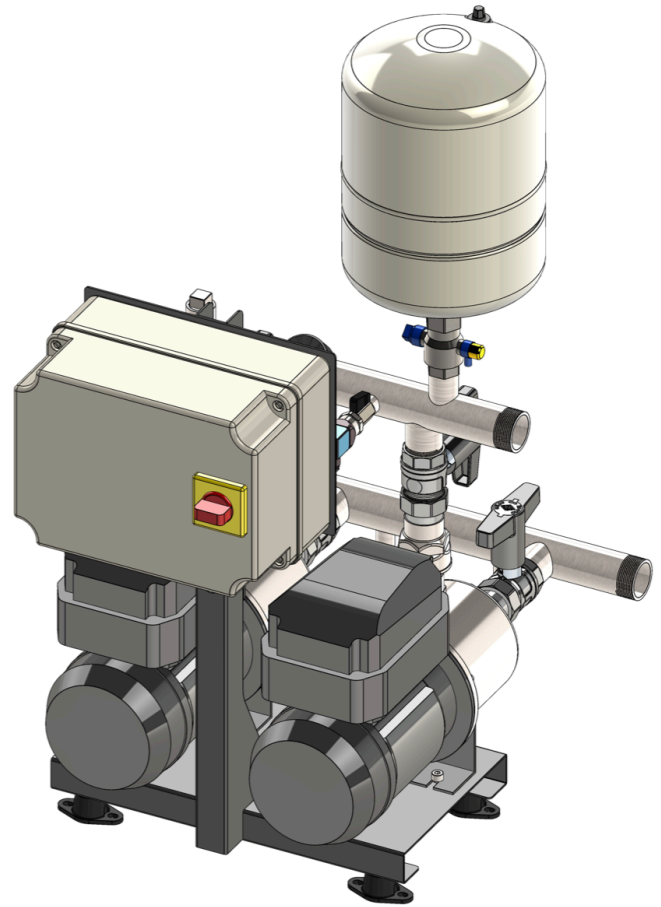
Compact

COLD WATER BOOSTER SET

The Trebles Compact range of cold water booster sets maximise performance in the smallest possible footprint whilst maintaining a rich feature set.

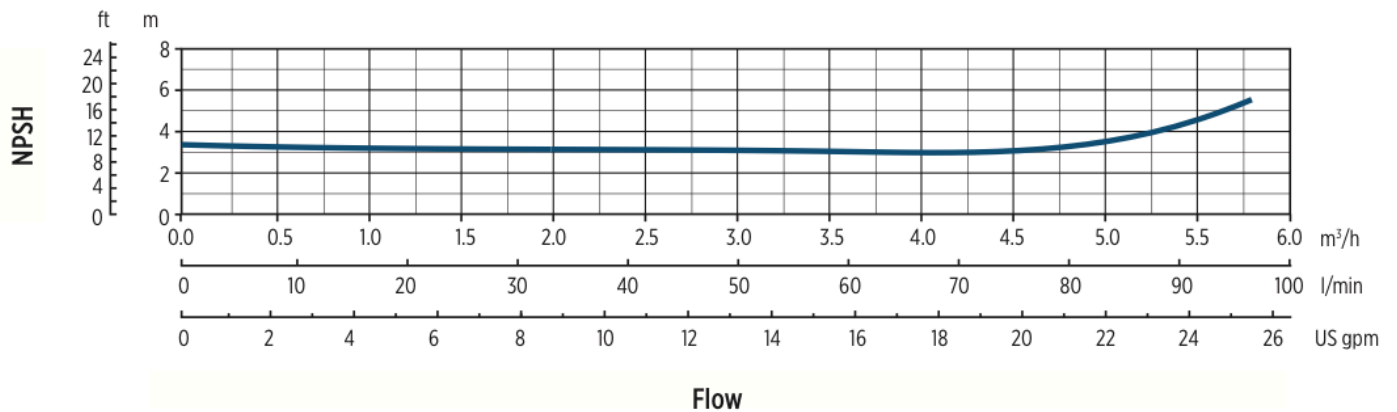
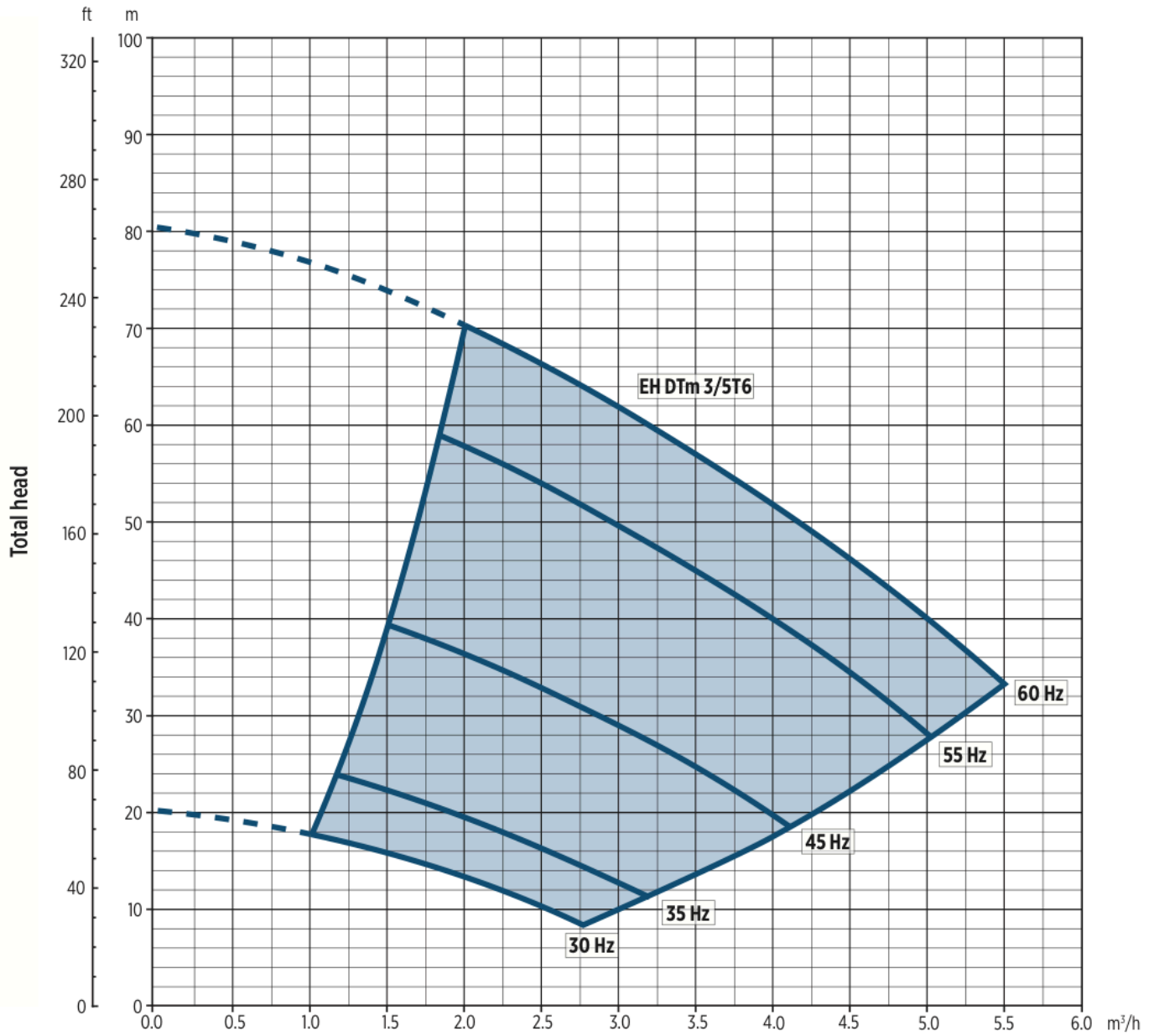
The twin pump arrangement provides a standby pump should failure occur whilst also providing an assist facility, should a single pump ever become overwhelmed past peak demand. Auto-changeover ensures that both pumps wear evenly. Energy efficient Variable Speed drives provide constant pressure along with smooth, quiet operation. All components are suitable for potable water and the pressure vessel is fitted with a flow through valve to prevent any water stagnation.

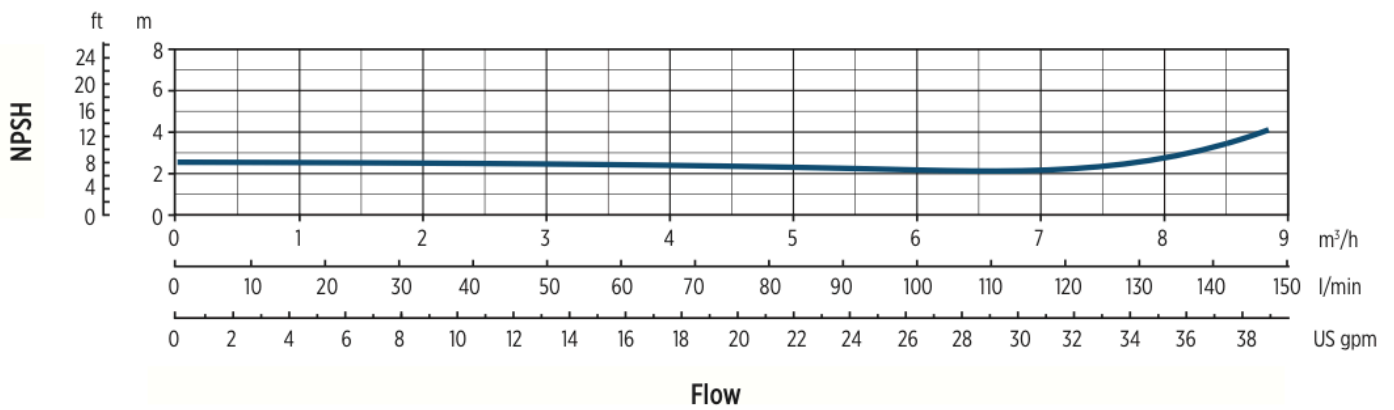
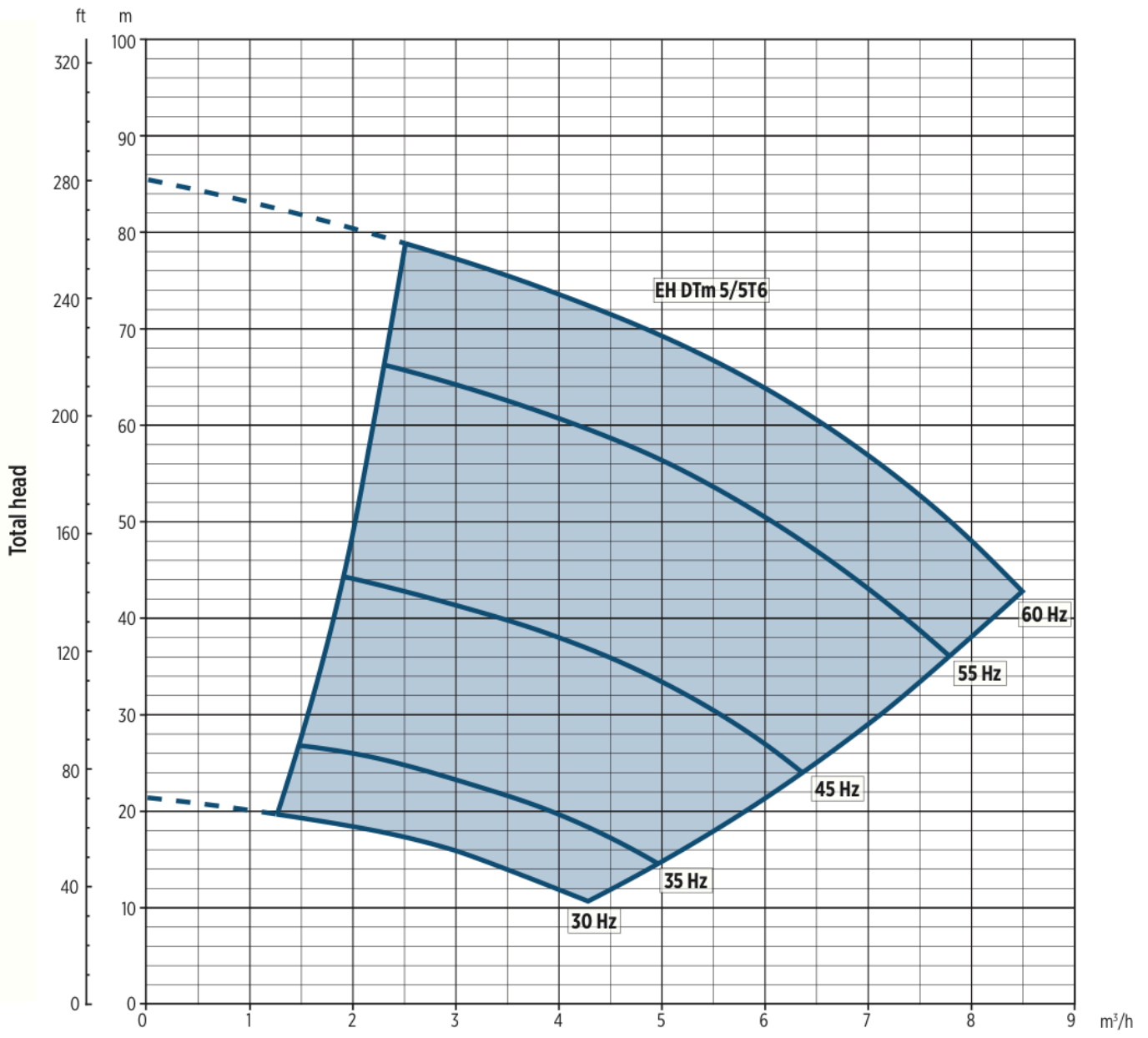
The unit provides volt free contacts for individual pump failure and low water via float switch. Settings can be adjusted quickly on the pump Inverters whilst further programming & monitoring is possible via the FE Connect smartphone app allowing parameters to be altered and reports generated for statistics such as energy consumption, alarm history, hours run etc.

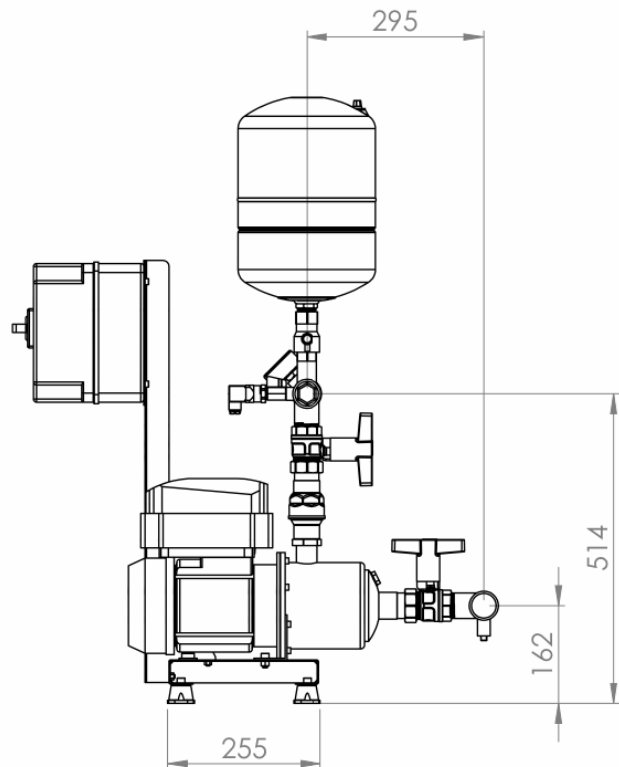
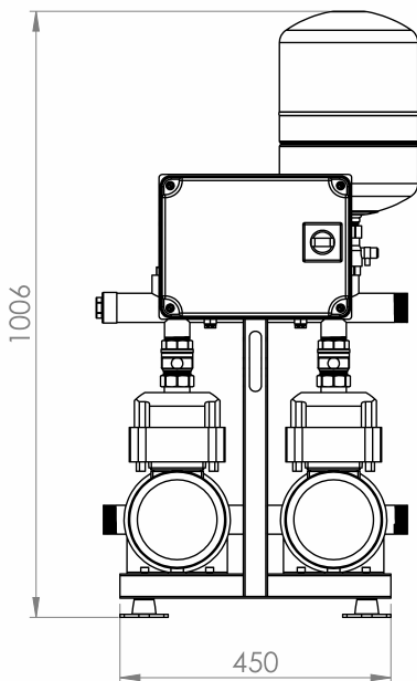
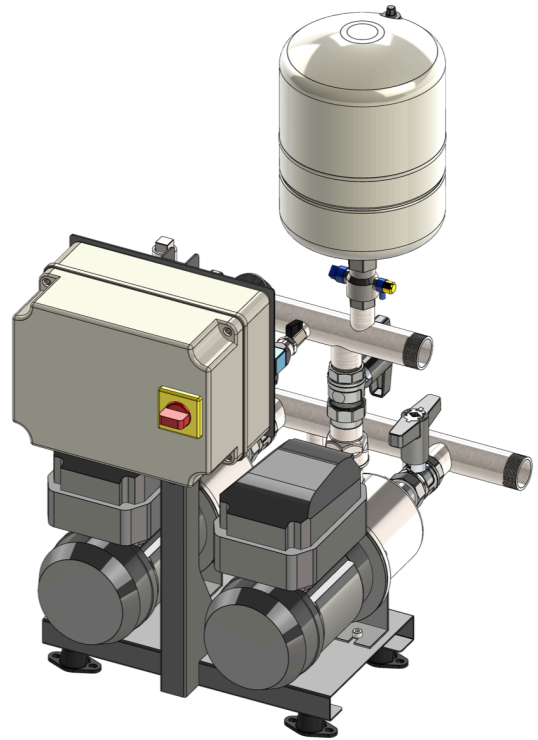
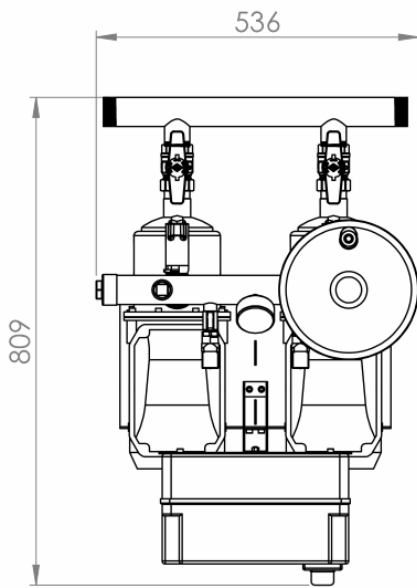


- ✓ Duty/Standby with Assist
- ✓ Auto-Changeover
- ✓ Variable Speed
- ✓ Constant Pressure
- ✓ Flow Through Vessel
- ✓ Anti-Vibration Mounts
- ✓ Dry Run Protection
- ✓ Volt Free Contacts for BMS
- ✓ Overload Protection
- ✓ Programming & Monitoring via Smartphone App (iOS & Android)
- ✓ 2 Year Guarantee

		5255 3/5	5255 5/5
General	Pumps	2	
	Mounting	Floor Mounted	
	Dry Weight	65	75
Performance	Max Pressure (m)	70	79
	Max Flow (m ³ /hr)	5.5	8.5
Operating Conditions	Pressure Rating	PN10	
	Ambient Temperature	5°C / 40°C	
	Water Temperature	5°C / 35°C	
	Relative Humidity	95% non-condensing	
Connections	Inlet	1-1/2" Male BSP	
	Outlet		
	Vessel	1" Female BSP	
	Spare Ports	1/4" Female BSP	
Materials	Manifolds	AISI 304	
	Check Valves	AISI 304	
	Isolation Valves	CW617N UNI EN 12165	
	FlowThru Valve	CW617N UNI EN 12165	
	Fittings	AISI 304	
Electrical	Supply	230/1/50	
	Pump Power (kW)	1.5	2.2
	Full Load Current (A)	18	25







NOTE: The pressure vessel & FlowThru valve are supplied loose along with a cap. They should be fitted to the closest connection to the outlet, dependent upon which end of the discharge manifold is capped off.