

Receiver

From

Company
Reference
Address
Phone
Fax
E-mail

Item n° : 60122652
Customer pos. no.:

Model :
NOVA SALT W M-A

Pump data

Free passage : 5 mm
Pressure rating :
Min. fluid temperature :
Max. fluid temperature :
Max. Ambient temperature :

Requested data

Flow :
Head :
Fluid : Water
Fluid Temperature : 20 °C
Density : 998,3 kg/m³
Kinematic viscosity : 1,005 mm²/s
Vapor pressure : 0,00234 MPa

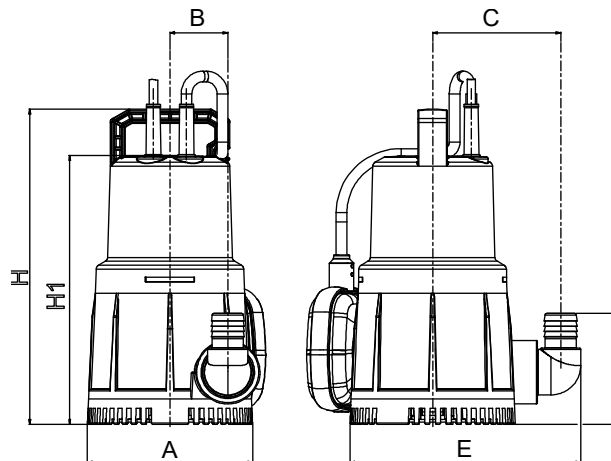
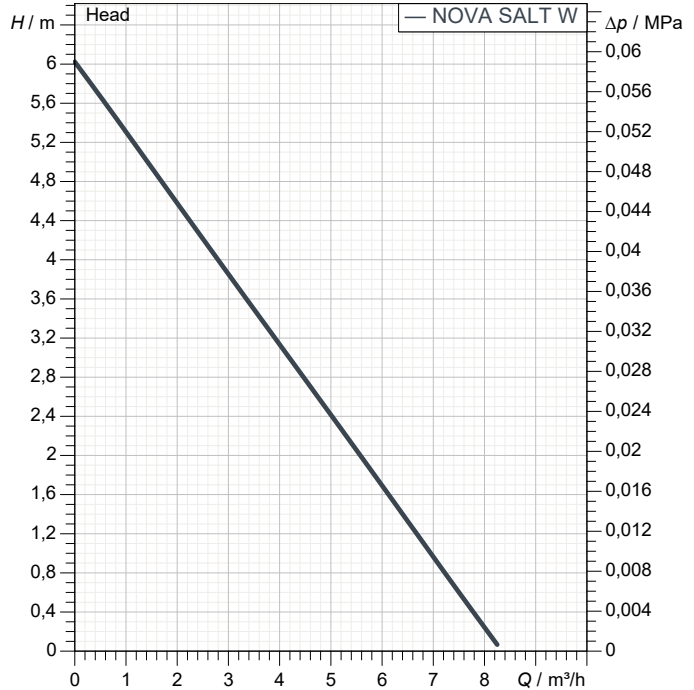
Hydraulic data (duty point)

Flow :
Head :

Materials

Pump body : Technopolymer
Impeller : Technopolymer
Motor shaft : Stainless Steel AISI 316
Filter : Technopolymer
Motor casing : Aluminium
O-Ring : NBR
V-RING : NBR

Curve tolerance according to ISO 9906



Motor data

Weight : 0 kg

Motor brand : DAB
Nominal power P2 : 0,2 kW
Rated speed : 2.800 1/min
Rated voltage : 1~ 220-240 V 50 Hz
Nominal current : 1,3 A
Degree of protection : IP X8

Dimensions in mm

Dimension	Value (mm)				
A	140				
B	48				
C	107				
D	95				
E	195				
H	270				
H1	230				

Pump connection

Suction side : /
Discharge side : /



PERFORMANCE CURVES

2023-03-17

Page 2 / 3

DAB PUMPS S.p.A.
Via Marco Polo, 14 - 35035 Mestrino (PD), Italy
Tel. +39 049 5125000 - Fax +39 049 5125950
www.dabpumps.com

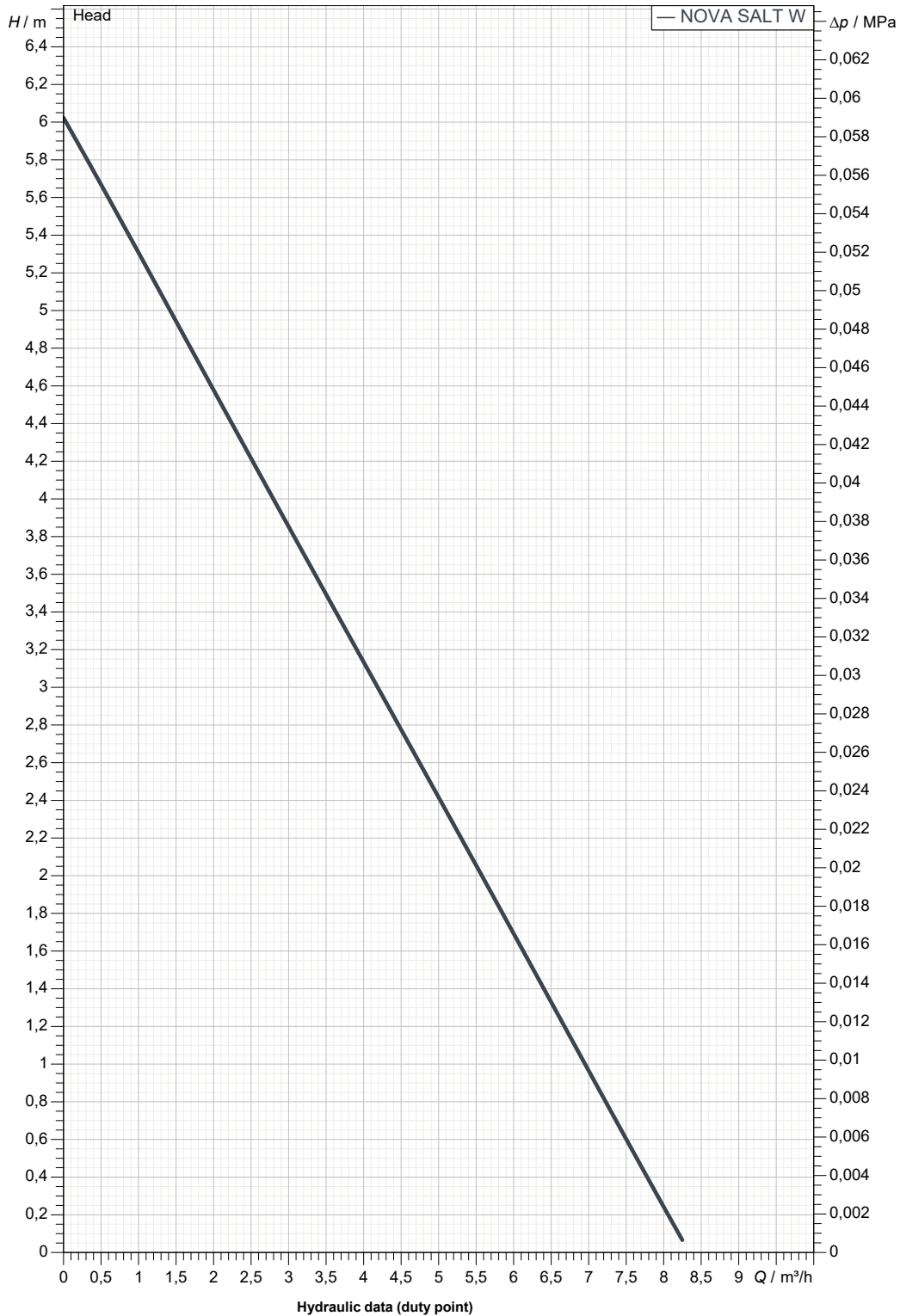
Receiver

From

Company
Reference
Address
Phone
Fax
E-mail

NOVA SALT W M-A

Curve tolerance according to ISO 9906



Suction side :

Discharge side :

Flow :

Head :

Rated speed :
2.800 1/min

MAIN_PROJECT_TITLE

BUSINESS_PROCESS_ID

OWNER_

ISSUE_DATE
2023-03-17



DIMENSIONAL DRAWING

2023-03-17

Page 3 / 3

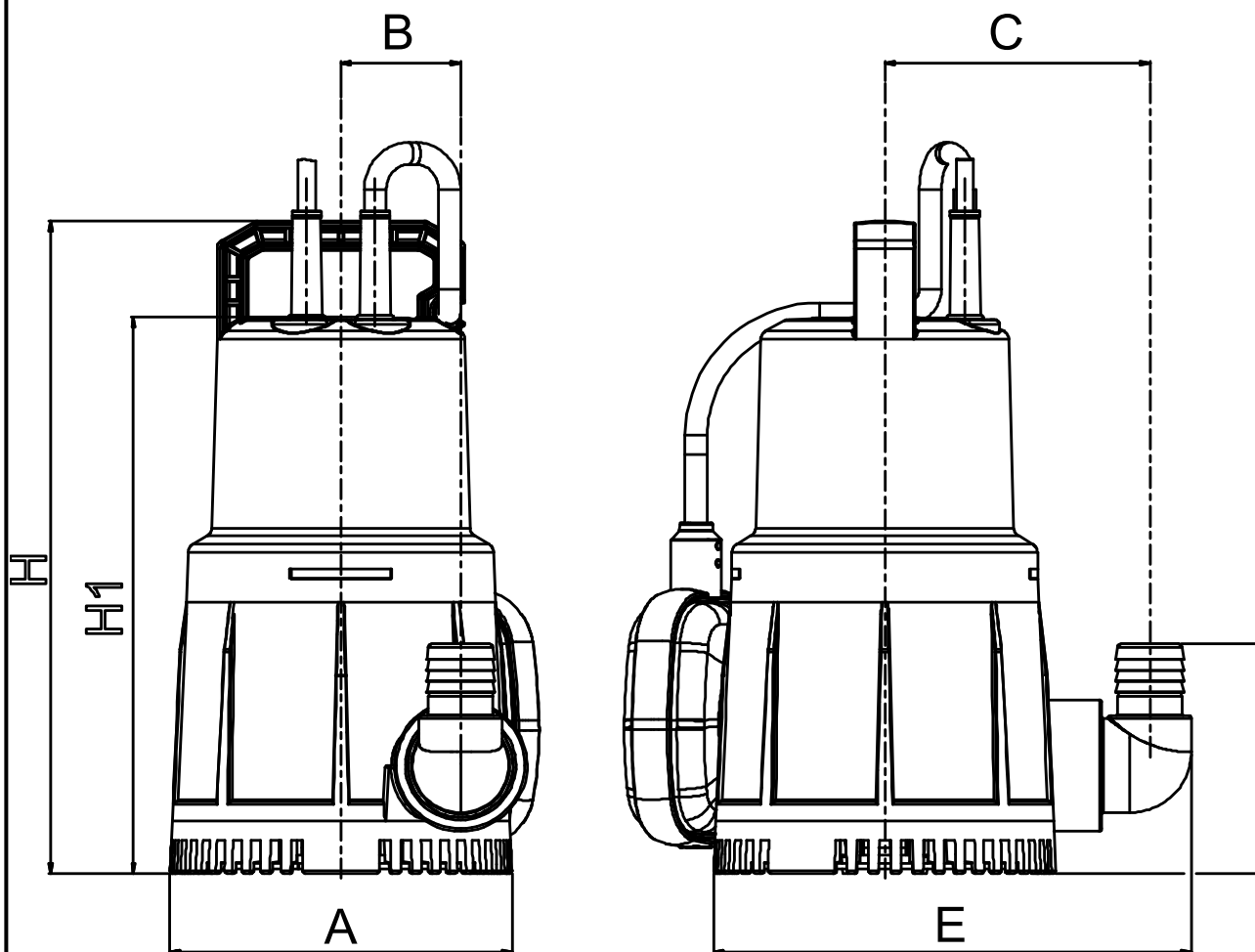
DAB PUMPS S.p.A.
Via Marco Polo, 14 - 35035 Mestrino (PD), Italy
Tel. +39 049 5125000 - Fax +39 049 5125950
www.dabpumps.com

Receiver

From

Company
Reference
Address
Phone
Fax
E-mail

NOVA SALT W M-A



Dimensions in mm				Pump connection	
1	A	140			Suction Discharge
2	B	48			
3	C	107			
4	D	95			
5	E	195			
6	H	270			
7	H1	230			
8					
9					
10					
11					

MAIN_PROJECT_TITLE	BUSINESS_PROCESS_ID	OWNER_	ISSUE_DATE 2023-03-17
--------------------	---------------------	--------	--------------------------