

Receiver

From

Company
Reference
Address
Phone
Fax
E-mail

Item n° : 60122691
Customer pos. no.:

Model :
FEKA BVP 750 M-A

Pump data

Free passage : 38 mm
Pressure rating :
Min. fluid temperature : 0 °C
Max. fluid temperature : 35 °C
Max. Ambient temperature :

Requested data

Flow :
Head :
Fluid : Water
Fluid Temperature : 20 °C
Density : 998,3 kg/m³
Kinematic viscosity : 1,005 mm²/s
Vapor pressure : 0,00234 MPa

Hydraulic data (duty point)

Flow :
Head :

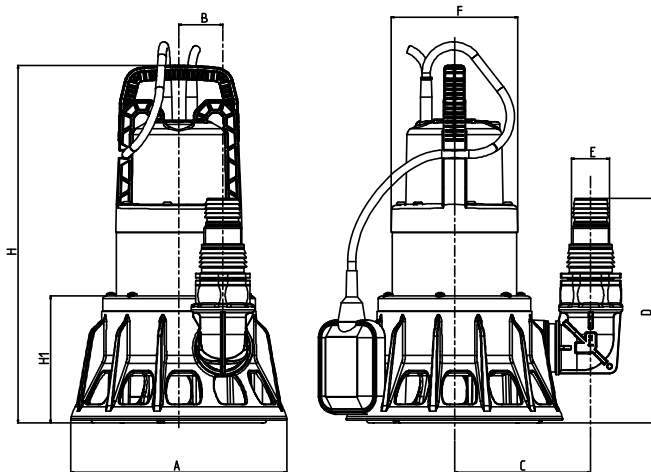
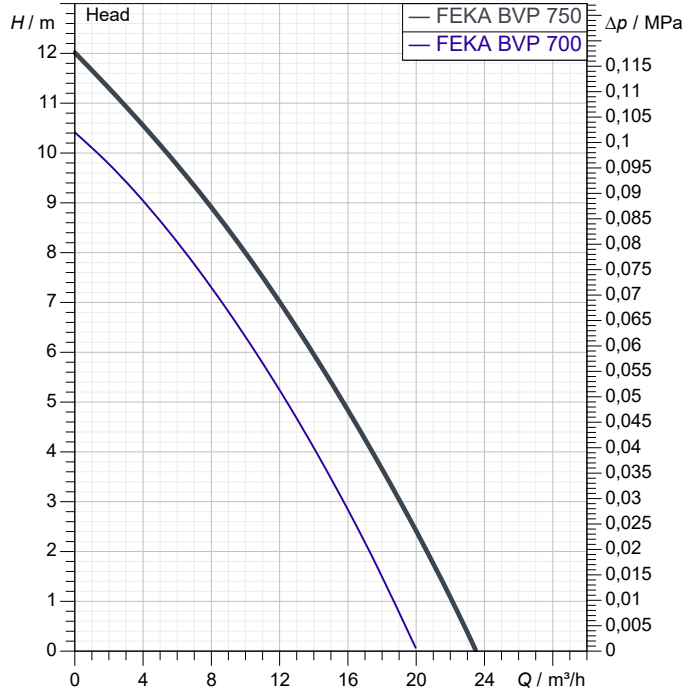
Materials

Pump body : Technopolymer
Impeller : Technopolymer
Motor shaft : AISI 416 X12 CrS 13 UNI EN 10088-1
Motor top body : Stainless Steel AISI 304
V-RING : NBR
O-Ring : NBR 70
Base plate : Technopolymer

Motor data

Motor brand : DAB
Nominal power P2 : 0,75 kW
Rated speed : 2.800 1/min
Rated voltage : 1~ 220-240 V 50 Hz
Nominal current : 4,6 A
Degree of protection : IP X8

Curve tolerance according to ISO 9906



Weight : 8 kg

Dimensions in mm

A	240				
B	49				
C	150				
D	250				
E	40				
F	140				
H	400				
H1	142				

Pump connection

Suction side : /
Discharge side : 1" 1/2 GAS / --



PERFORMANCE CURVES

2023-03-17

Page 2 / 3

DAB PUMPS S.p.A.
Via Marco Polo, 14 - 35035 Mestrino (PD), Italy
Tel. +39 049 5125000 - Fax +39 049 5125950
www.dabpumps.com

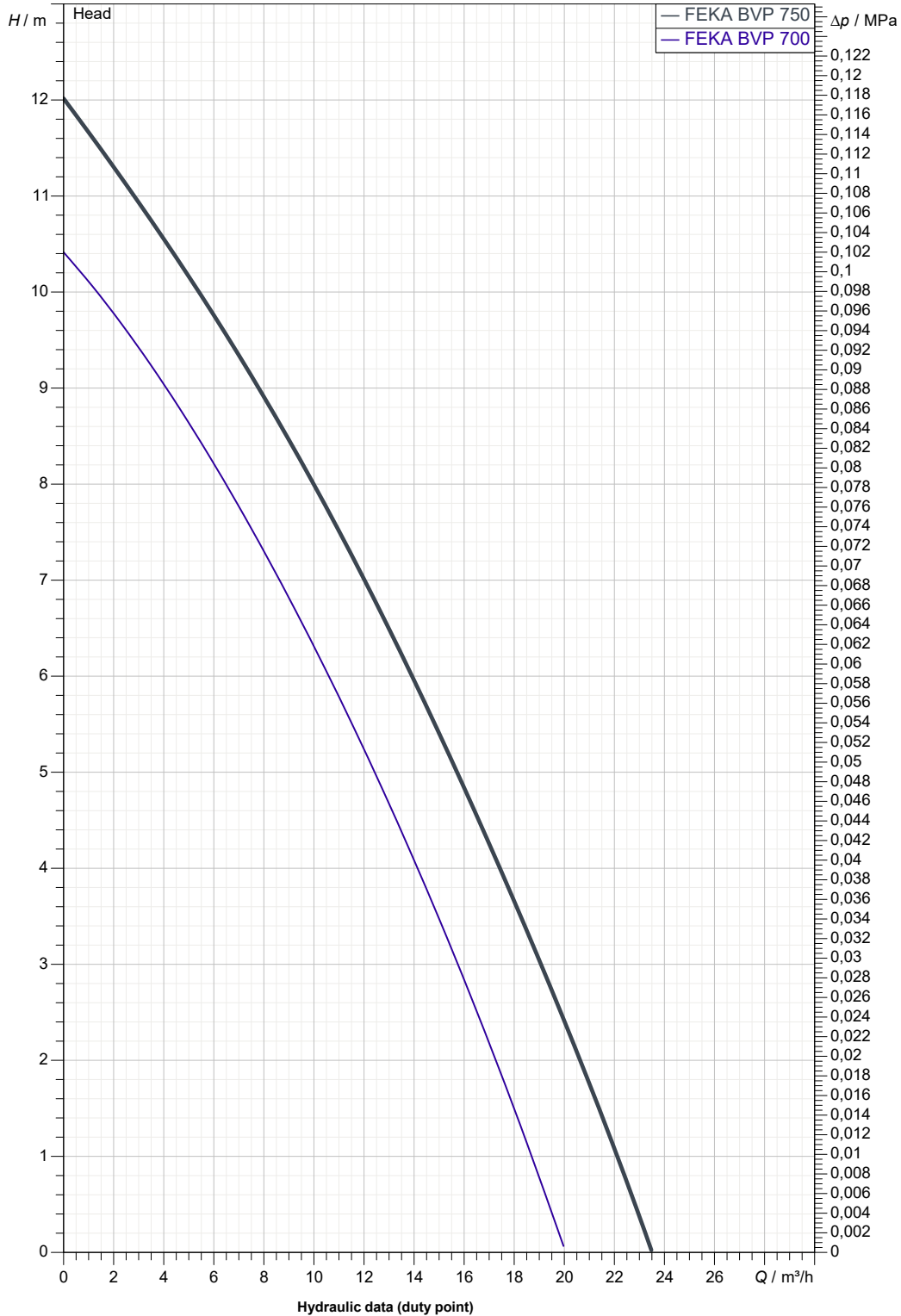
Receiver

From

Company
Reference
Address
Phone
Fax
E-mail

FEKA BVP 750 M-A

Curve tolerance according to ISO 9906



Suction side :

Discharge side :
1" 1/2 GAS
--

Flow :

Head :

Rated speed :
2.800 1/min

MAIN_PROJECT_TITLE

BUSINESS_PROCESS_ID

OWNER_

ISSUE_DATE

2023-03-17



DIMENSIONAL DRAWING

2023-03-17

Page 3 / 3

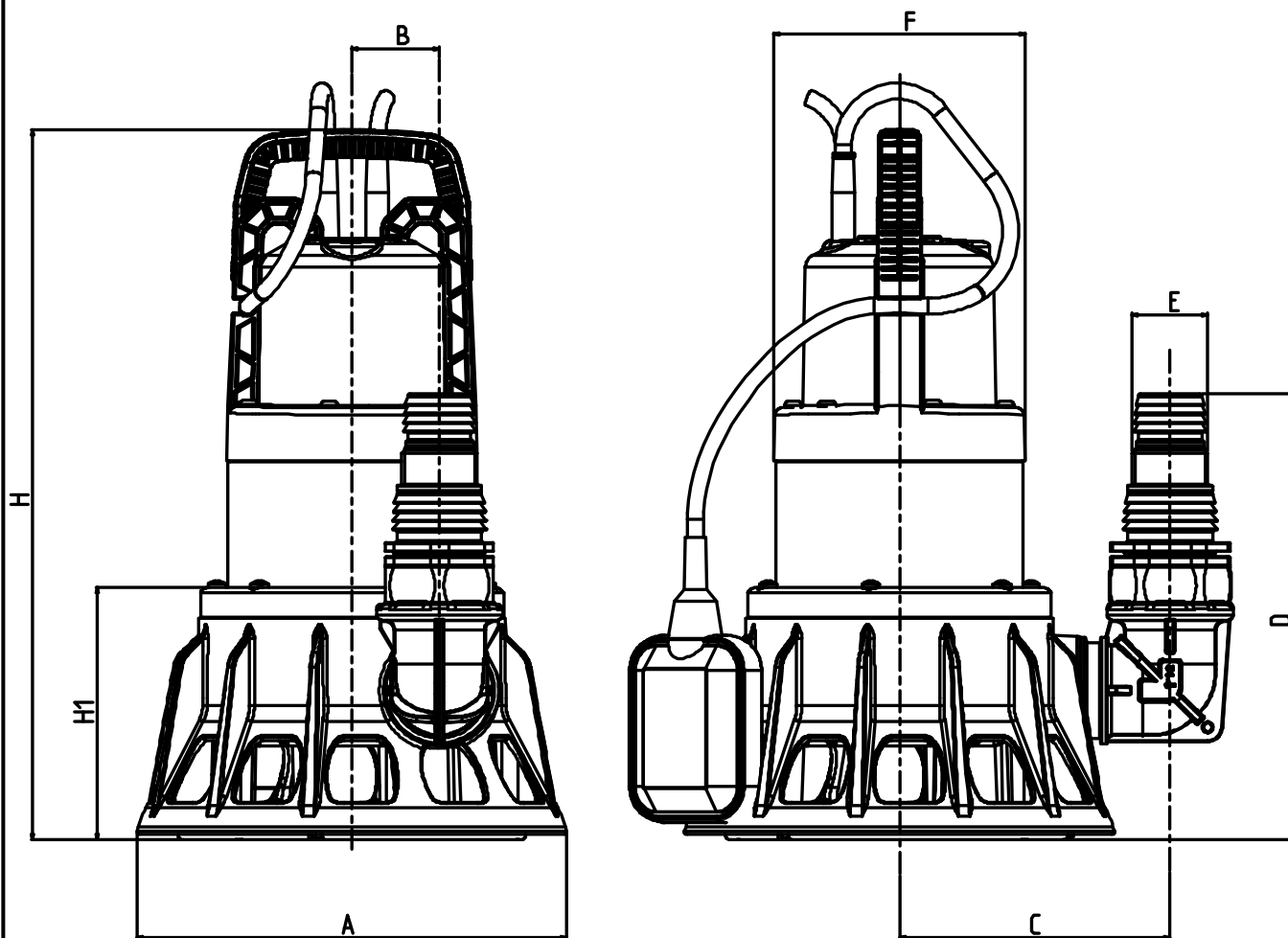
DAB PUMPS S.p.A.
Via Marco Polo, 14 - 35035 Mestrino (PD), Italy
Tel. +39 049 5125000 - Fax +39 049 5125950
www.dabpumps.com

Receiver

From

Company
Reference
Address
Phone
Fax
E-mail

FEKA BVP 750 M-A



Dimensions in mm

1	A	240
2	B	49
3	C	150
4	D	250
5	E	40
6	F	140
7	H	400
8	H1	142
9		
10		
11		

Pump connection

Suction

Discharge
1" 1/2 GAS
--

MAIN_PROJECT_TITLE

BUSINESS_PROCESS_ID

OWNER_

ISSUE_DATE

2023-03-17