

Receiver
From

 Company
 Reference
 Address
 Phone
 Fax
 E-mail

Item n° :

60122695

Customer pos. no.:
Model :

MULTI 4 SW M

Pump data

 Pressure rating : --
 Min. fluid temperature : 0 °C
 Max. fluid temperature : 35 °C
 Max. Ambient temperature : 40 °C

Requested data

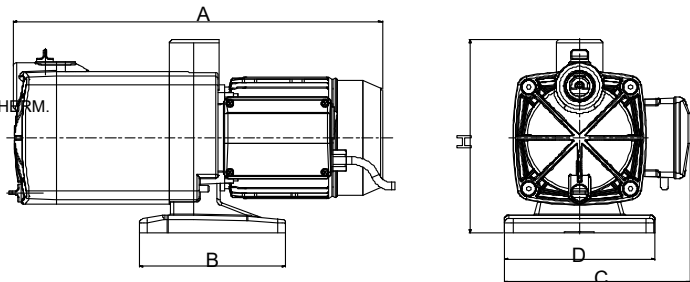
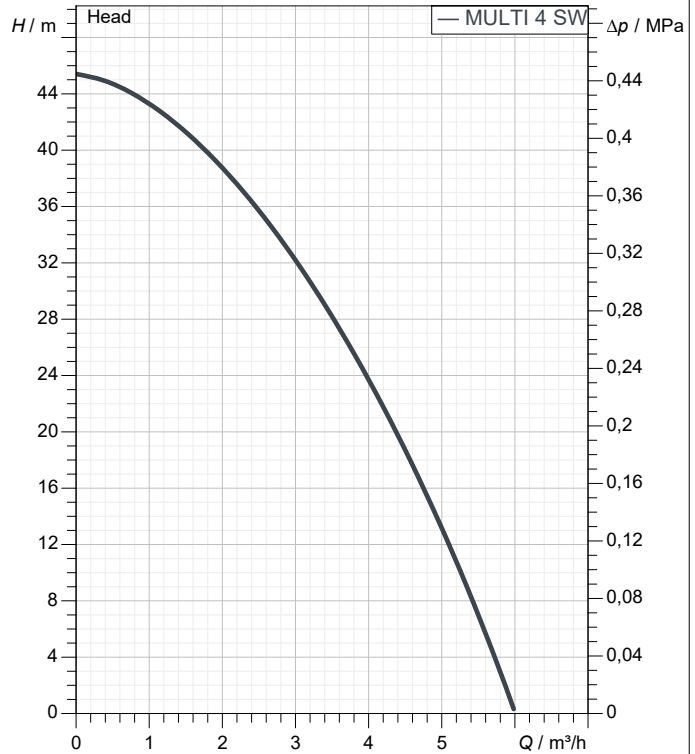
 Flow :
 Head :
 Fluid : Water
 Fluid Temperature : 20 °C
 Density : 998,3 kg/m³
 Kinematic viscosity : 1,005 mm²/s
 Vapor pressure : 2,34 kPa

Hydraulic data (duty point)

 Flow :
 Head :

Materials

 Pump body PP OMO 30% FVAC NAT GRADE 1 STAB. THERM.
 Impeller Noryl
 Motor shaft Stainless Steel AISI 316
 O-Ring NBR/EPDM
 Diffuser Noryl
 Mechanical seal SIC/ALOX/NBR/316
 Counterface ALOX/NBR

Curve tolerance according to ISO 9906

Motor data

 Motor brand : DAB
 Nominal power P2 : 0,75 kW
 Rated speed : 2.800 1/min
 Rated voltage : 1~ 220-240 V 50 Hz
 Nominal current : 4,5 A
 Degree of protection : IP X4

Weight : 10,6 kg

Dimensions in mm

Dimension	Value (mm)
A	430
B	170
C	215
D	175

Pump connection

 Suction side : 1" G / --
 Discharge side : 1" G / --



PERFORMANCE CURVES

2023-03-17

Page 2 / 3

DAB PUMPS S.p.A.
Via Marco Polo, 14 - 35035 Mestrino (PD), Italy
Tel. +39 049 5125000 - Fax +39 049 5125950
www.dabpumps.com

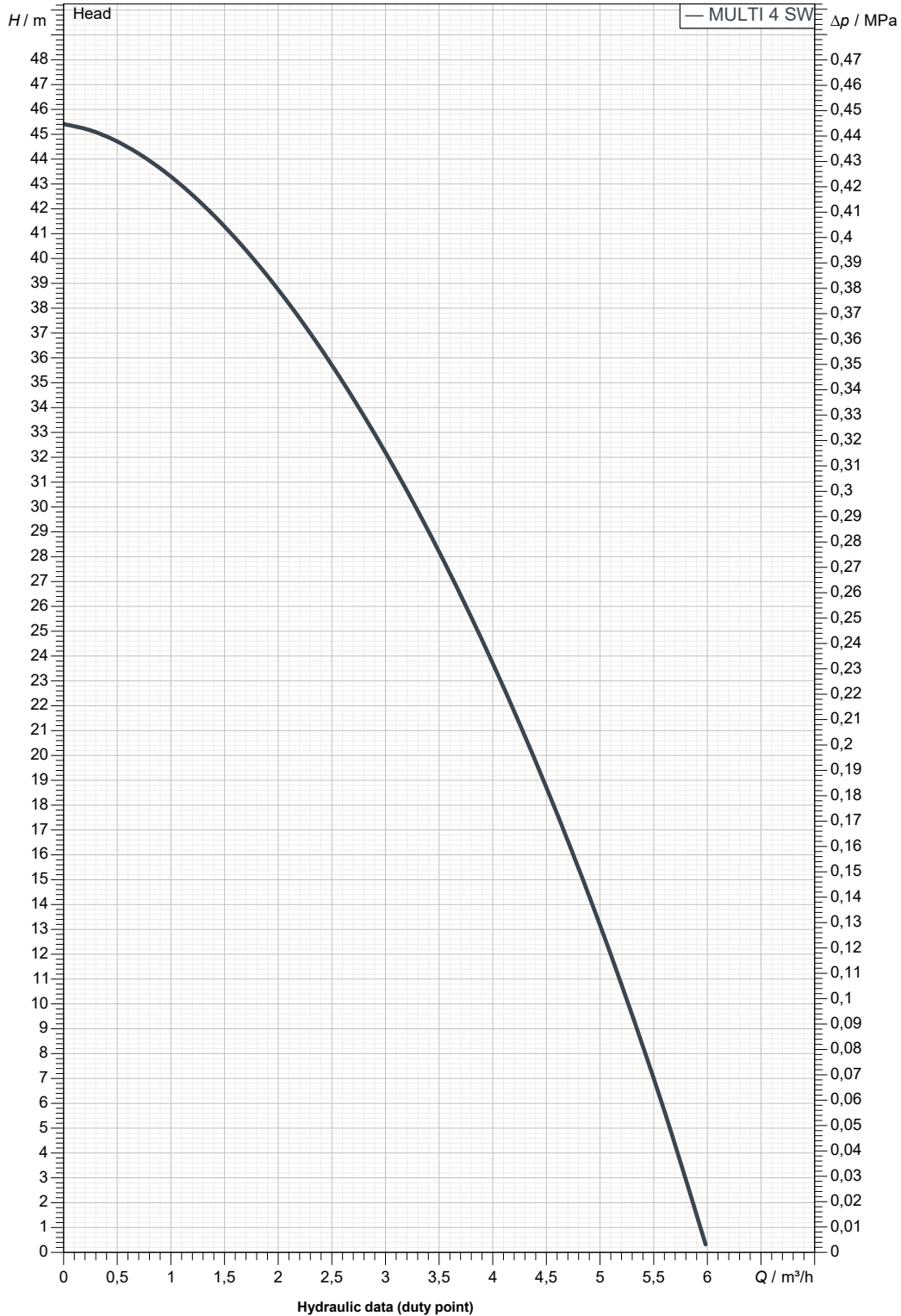
Receiver

From

Company
Reference
Address
Phone
Fax
E-mail

MULTI 4 SW M

Curve tolerance according to ISO 9906



Suction side :
1" G
--

Discharge side :
1" G
--

Flow :

Head :

Rated speed :
2.800 1/min

MAIN_PROJECT_TITLE

BUSINESS_PROCESS_ID

OWNER_

ISSUE_DATE
2023-03-17



DIMENSIONAL DRAWING

2023-03-17

Page 3 / 3

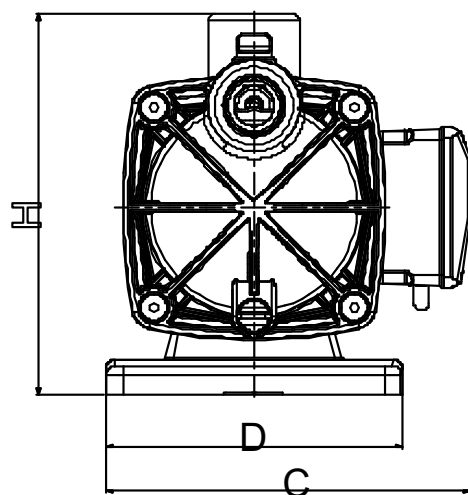
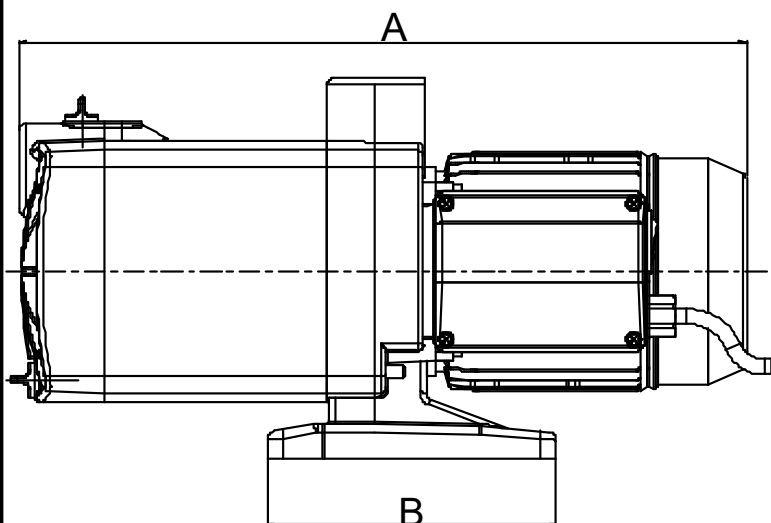
DAB PUMPS S.p.A.
Via Marco Polo, 14 - 35035 Mestrino (PD), Italy
Tel. +39 049 5125000 - Fax +39 049 5125950
www.dabpumps.com

Receiver

From

Company
Reference
Address
Phone
Fax
E-mail

MULTI 4 SW M



Dimensions in mm

Pump connection

1	A	430								
2	B	170								Suction
3	C	215								1" G
4	D	175								--
5	H	224								Discharge
6										1" G
7										--
8										
9										
10										
11										

MAIN_PROJECT_TITLE	BUSINESS_PROCESS_ID	OWNER_	ISSUE_DATE 2023-03-17
--------------------	---------------------	--------	---------------------------------