



WATER • TECHNOLOGY

PERFORMANCE CURVES

2023-03-17

Page 2 / 3

DAB PUMPS S.p.A.
Via Marco Polo, 14 - 35035 Mestrino (PD), Italy
Tel. +39 049 5125000 - Fax +39 049 5125950
www.dabpumps.com

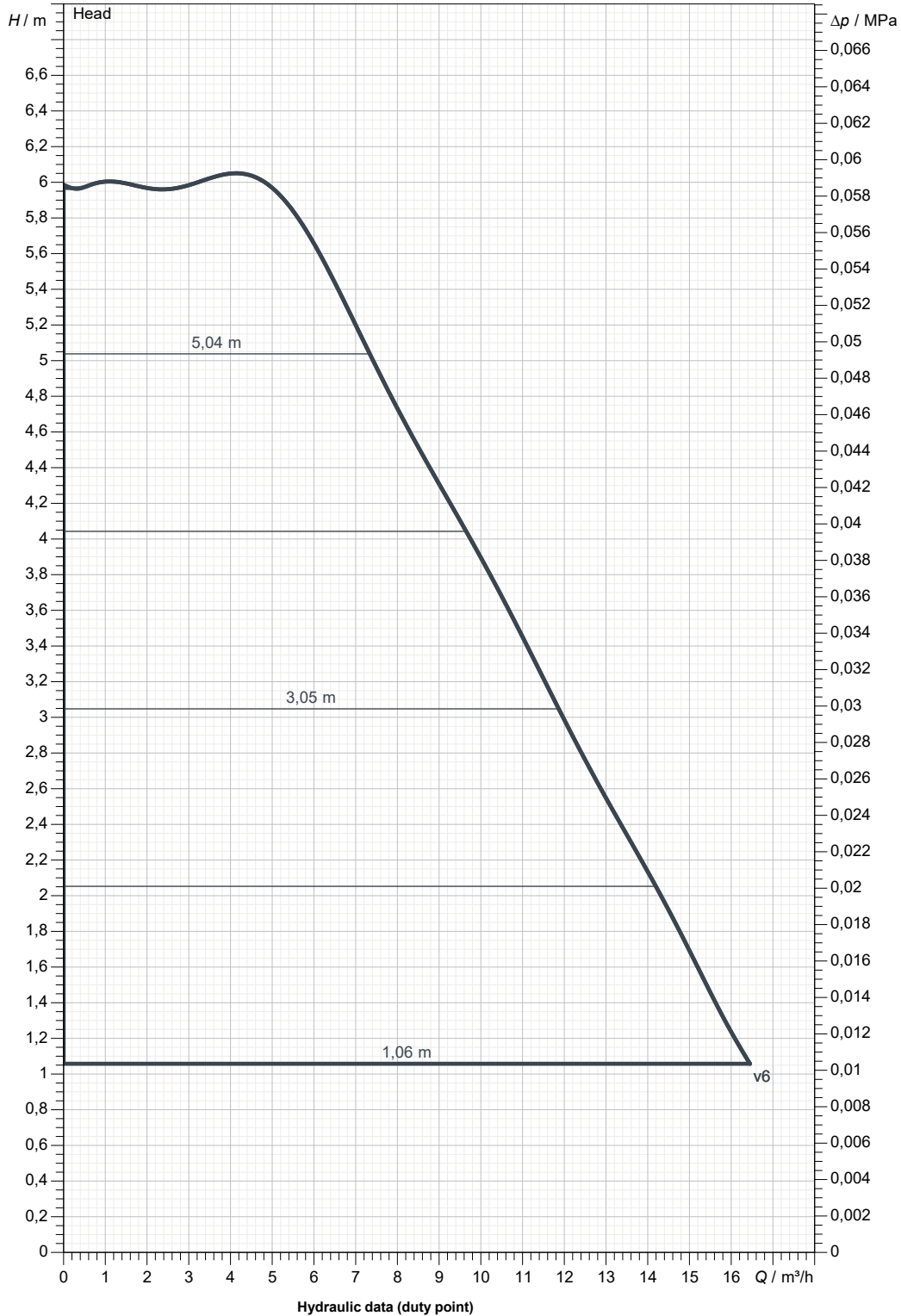
Receiver

From

Company
Reference
Address
Phone
Fax
E-mail

EVOPLUS B 60/220.40 M

Curve tolerance according to ISO 9906



Suction side :
DN 40
PN6, PN10, PN16

Discharge side :
DN 40
PN6, PN10, PN16

Flow :

Head :

Rated speed :
2.900 1/min

MAIN_PROJECT_TITLE

BUSINESS_PROCESS_ID

OWNER_

ISSUE_DATE
2023-03-17



DIMENSIONAL DRAWING

2023-03-17

Page 3 / 3

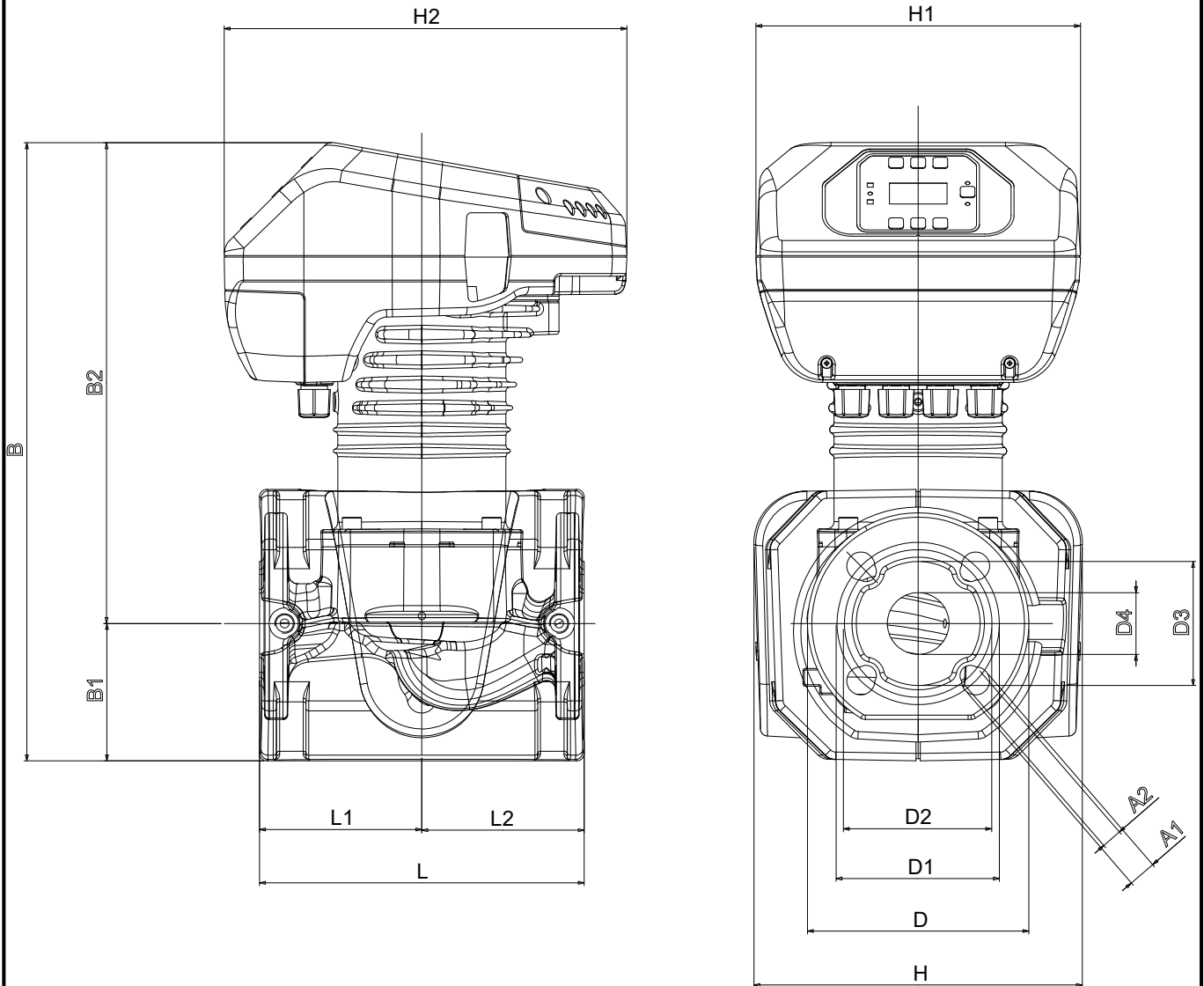
DAB PUMPS S.p.A.
Via Marco Polo, 14 - 35035 Mestrino (PD), Italy
Tel. +39 049 5125000 - Fax +39 049 5125950
www.dabpumps.com

Receiver

From

Company
Reference
Address
Phone
Fax
E-mail

EVOPLUS B 60/220.40 M



Dimensions in mm					Pump connection	
1	A1	19	H1	220	Suction DN 40 PN6, PN10, PN16 Discharge DN 40 PN6, PN10, PN16	
2	A2	14	H2	273		
3	B	419	L	220		
4	B1	93	L1	110		
5	B2	326	L2	110		
6	D	150				
7	D1	110				
8	D2	100				
9	D3	84				
10	D4	42				
11	H	222				

MAIN_PROJECT_TITLE	BUSINESS_PROCESS_ID	OWNER	ISSUE_DATE 2023-03-17
--------------------	---------------------	-------	--------------------------