



PERFORMANCE CURVES

2023-03-17

Page 2 / 3

DAB PUMPS S.p.A.
Via Marco Polo, 14 - 35035 Mestrino (PD), Italy
Tel. +39 049 5125000 - Fax +39 049 5125950
www.dabpumps.com

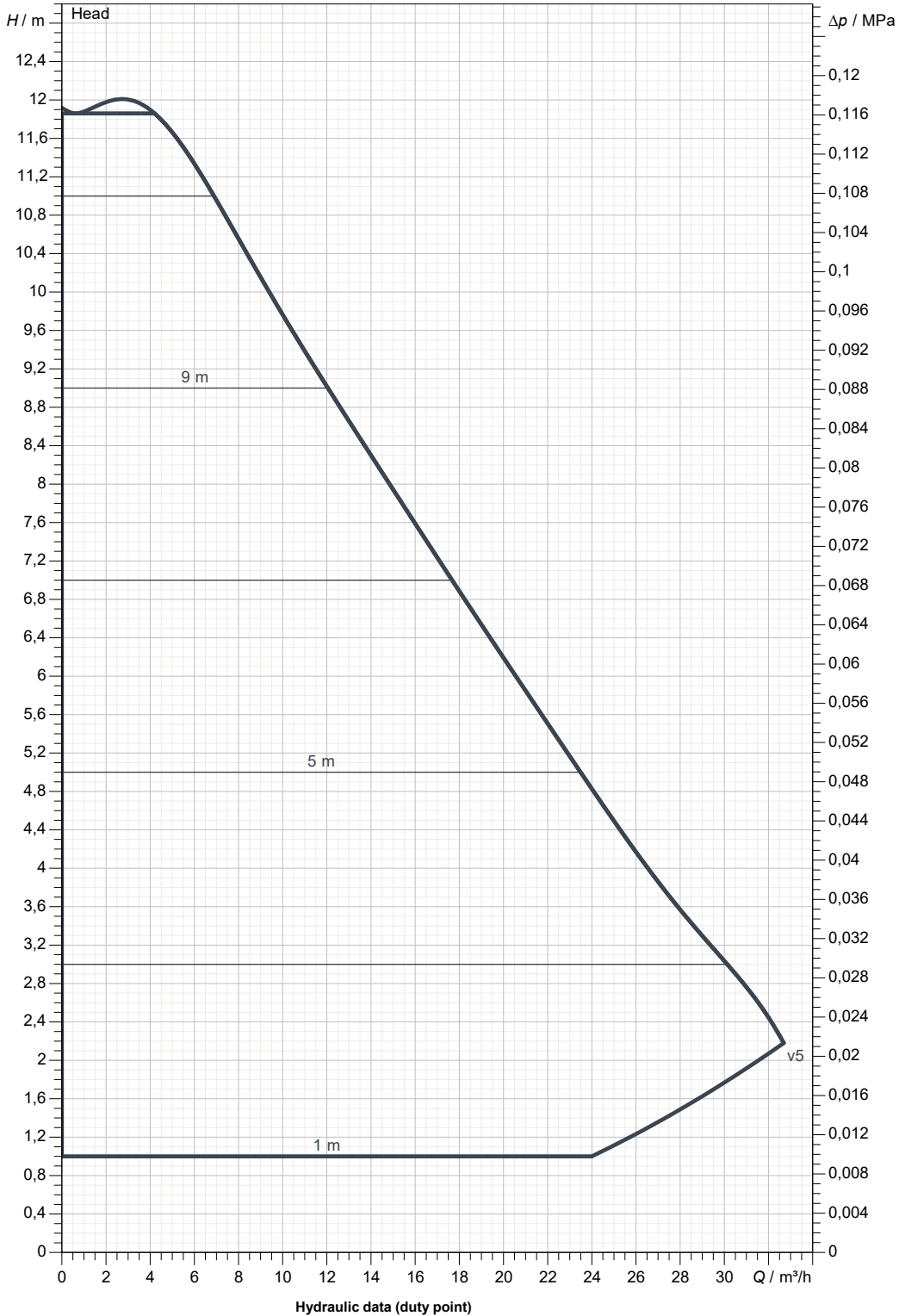
Receiver

From

Company
Reference
Address
Phone
Fax
E-mail

EVOPLUS B 120/280.50 M

Curve tolerance according to ISO 9906



Hydraulic data (duty point)

Suction side : DN 50 PN6, PN10, PN16	Discharge side : DN 50 PN6, PN10, PN16	Flow :	Head :	Rated speed : 2.900 1/min
MAIN_PROJECT_TITLE	BUSINESS_PROCESS_IC	OWNER_	ISSUE_DATE 2023-03-17	



DIMENSIONAL DRAWING

2023-03-17

Page 3 / 3

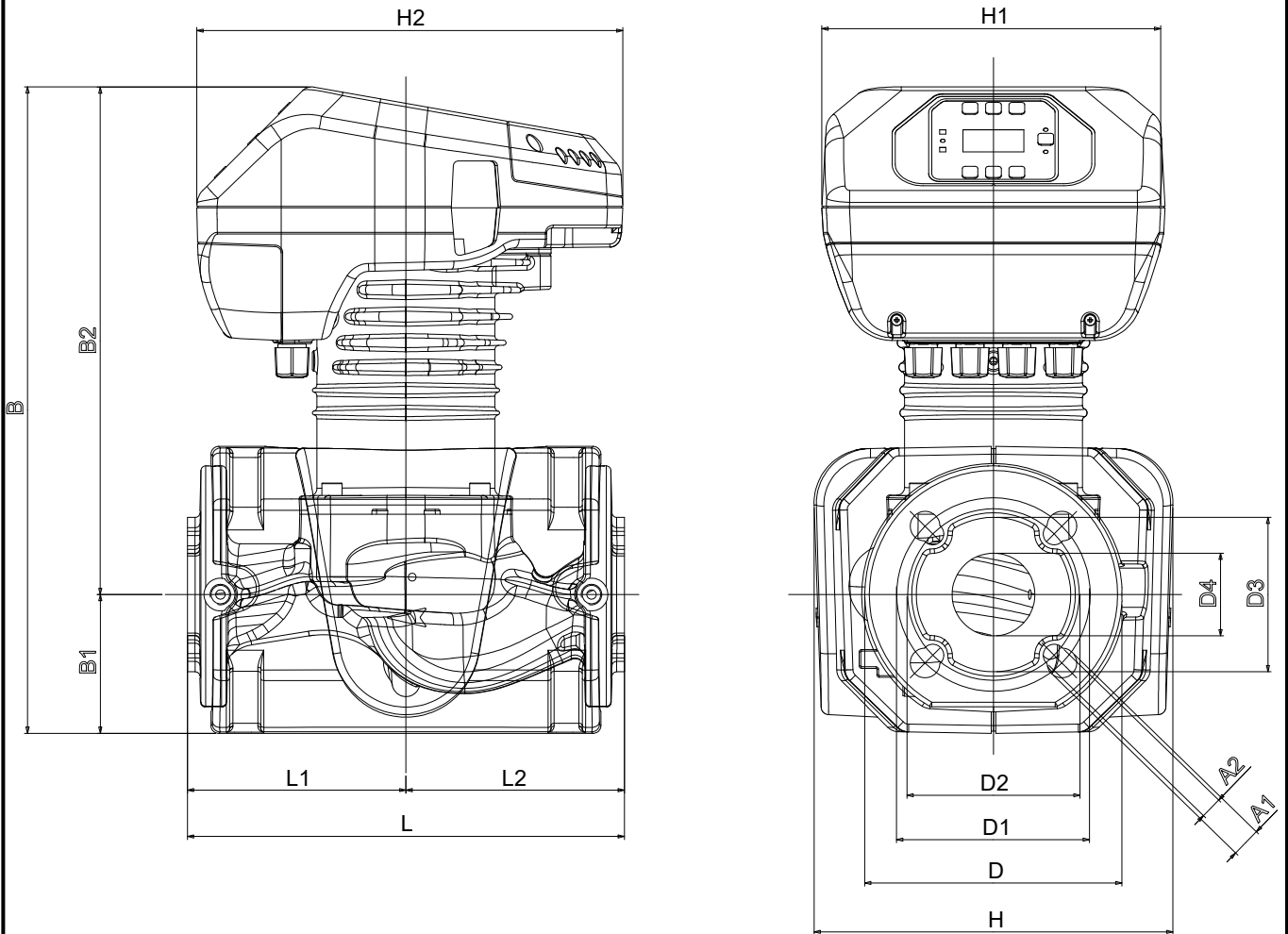
DAB PUMPS S.p.A.
Via Marco Polo, 14 - 35035 Mestrino (PD), Italy
Tel. +39 049 5125000 - Fax +39 049 5125950
www.dabpumps.com

Receiver

From

Company
Reference
Address
Phone
Fax
E-mail

EVOPLUS B 120/280.50 M



Dimensions in mm					Pump connection	
1	A1	19	H1	220	Suction DN 50 PN6, PN10, PN16 Discharge DN 50 PN6, PN10, PN16	
2	A2	14	H2	273		
3	B	413	L	280		
4	B1	87	L1	140		
5	B2	325	L2	140		
6	D	165				
7	D1	125				
8	D2	110				
9	D3	99				
10	D4	53				
11	H	230				

MAIN_PROJECT_TITLE	BUSINESS_PROCESS_ID	OWNER	ISSUE_DATE 2023-03-17
--------------------	---------------------	-------	---------------------------------