





WATER • TECHNOLOGY

# PERFORMANCE CURVES

2023-03-17

Page 2 / 3

DAB PUMPS S.p.A.  
Via Marco Polo, 14 - 35035 Mestrino (PD), Italy  
Tel. +39 049 5125000 - Fax +39 049 5125950  
www.dabpumps.com

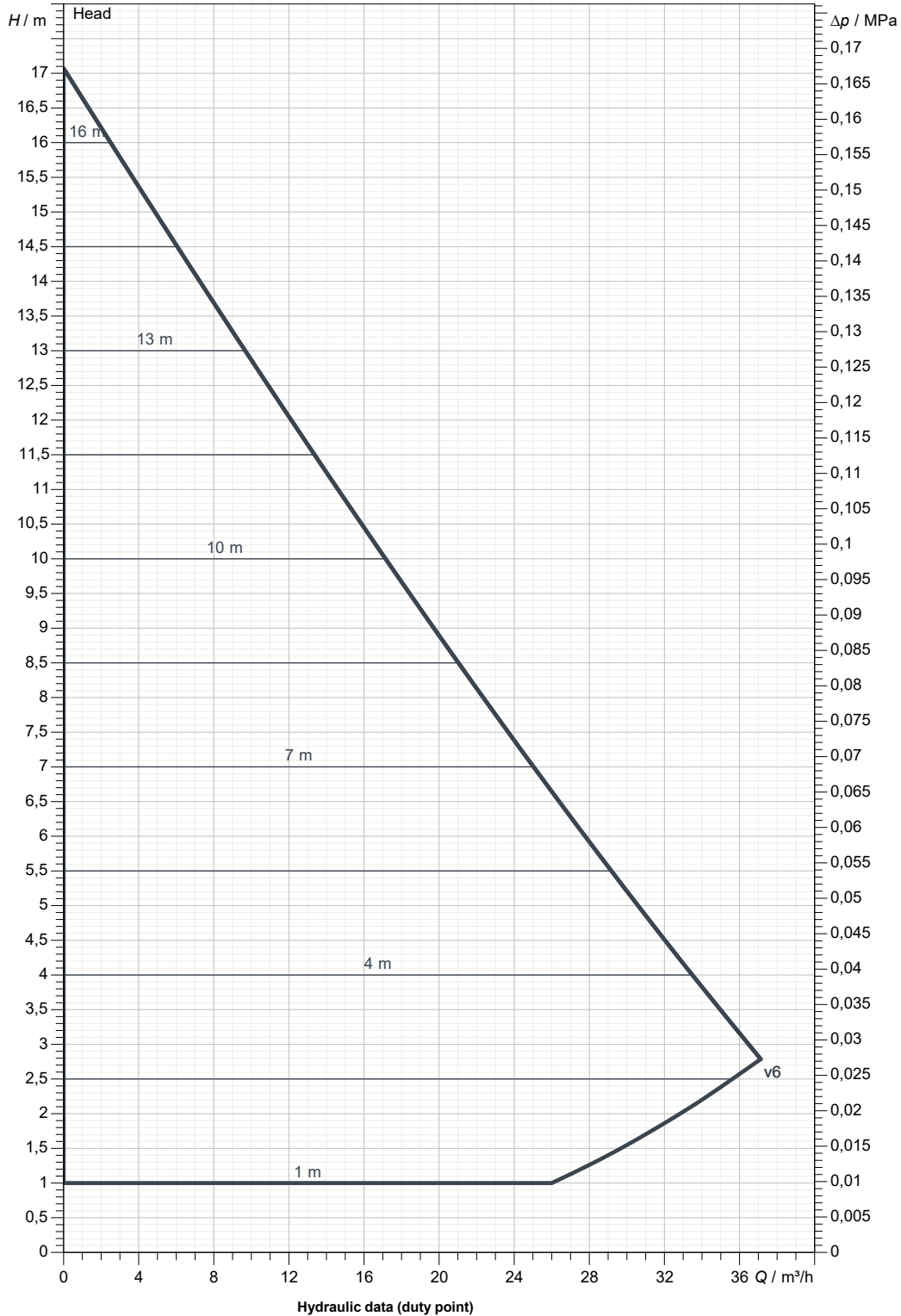
Receiver

From

Company  
Reference  
Address  
Phone  
Fax  
E-mail

## EVOPLUS B 180/280.50 M

Curve tolerance according to ISO 9906



Suction side :  
DN 50  
PN6, PN10, PN16

Discharge side :  
DN 50  
PN6, PN10, PN16

Flow :

Head :

Rated speed :  
2.900 1/min

MAIN\_PROJECT\_TITLE

BUSINESS\_PROCESS\_ID

OWNER\_

ISSUE\_DATE  
2023-03-17



# DIMENSIONAL DRAWING

2023-03-17

Page 3 / 3

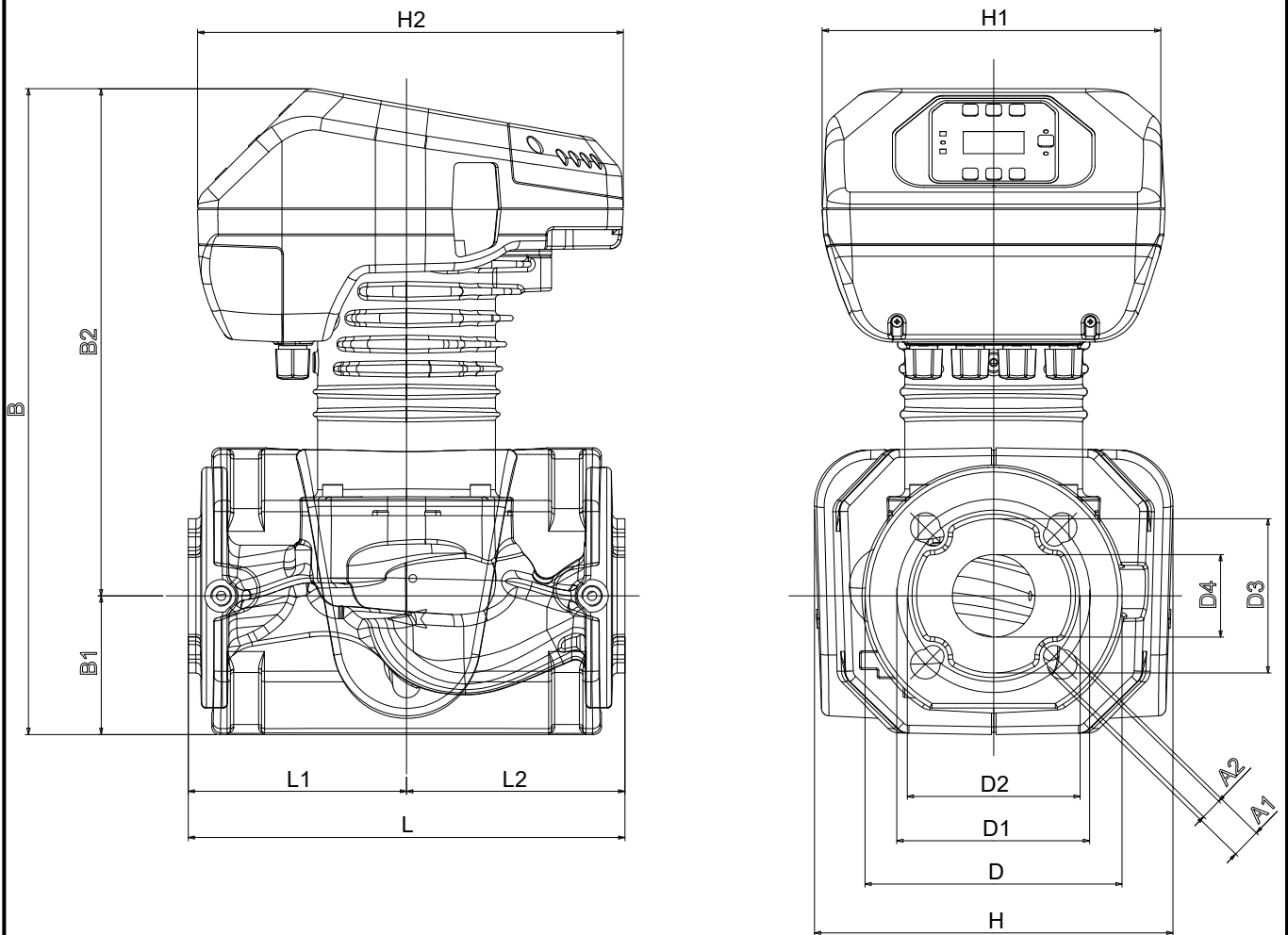
DAB PUMPS S.p.A.  
Via Marco Polo, 14 - 35035 Mestrino (PD), Italy  
Tel. +39 049 5125000 - Fax +39 049 5125950  
www.dabpumps.com

Receiver

From

Company  
Reference  
Address  
Phone  
Fax  
E-mail

## EVOPLUS B 180/280.50 M



### Dimensions in mm

### Pump connection

1	A1	19	H1	220	Suction DN 50 PN6, PN10, PN16  Discharge DN 50 PN6, PN10, PN16
2	A2	14	H2	273	
3	B	413	L	280	
4	B1	87	L1	140	
5	B2	325	L2	140	
6	D	165			
7	D1	125			
8	D2	110			
9	D3	99			
10	D4	53			
11	H	230			

MAIN\_PROJECT\_TITLE

BUSINESS\_PROCESS\_ID

OWNER

ISSUE\_DATE

2023-03-17