

**Receiver**

**From**

Company  
Reference  
Address  
Phone  
Fax  
E-mail

**Item n° :** 60150981  
**Customer pos. no.:**  
**Model :** EVOPLUS B 120/340.65 M

**Pump data**  
Pressure rating : 1,6 MPa  
Min. fluid temperature : -10 °C  
Max. fluid temperature : 110 °C  
EEI : ≤ 0,20

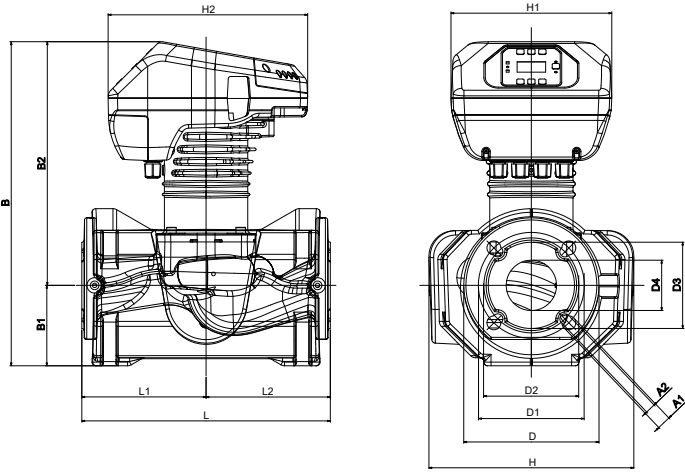
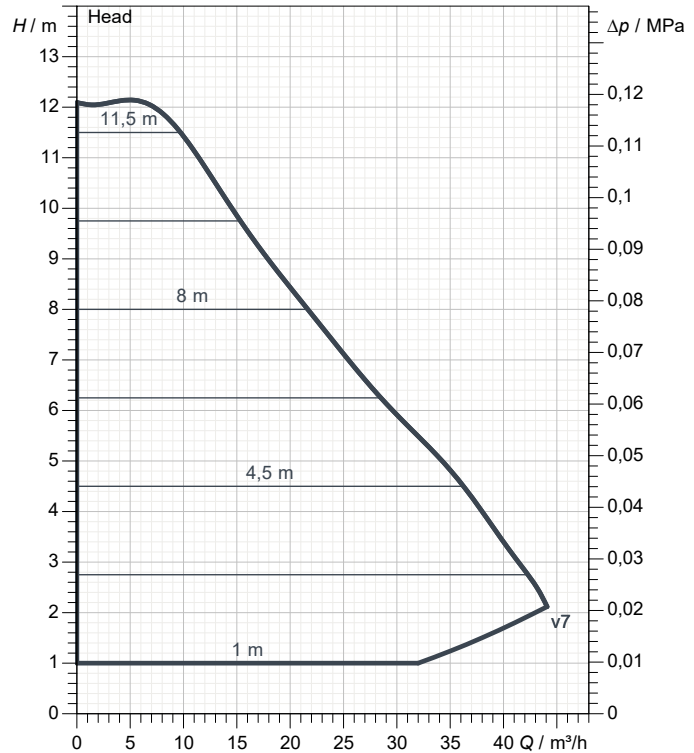
**Minimum suction head :**  
Temperature °C 90 100  
Minimum suction head : m 20 25

**Requested data**  
Flow :  
Head :  
Fluid (%) :  
Fluid Temperature : 20 °C  
Density : 998,3 kg/m³  
Kinematic viscosity : 1,005 mm²/s  
Vapor pressure : 0,00 MPa

**Hydraulic data (duty point)**  
Flow :  
Head :

**Materials**  
Pump body : Cast iron 250 UNI ISO 185 - CTF  
Impeller : Technopolymer  
Motor shaft : Stainless steel  
Seal ring : EPDM  
Motor casing : Die cast aluminium  
Closing flange : Stainless steel  
Thrust ring support : Stainless steel

**Curve tolerance according to ISO 9906**



**Motor data**  
Motor brand : DAB  
Power input P1 : 0,73 kW  
Rated voltage : 1~ 220-240 V 50 Hz  
Nominal current : 3,45 A  
Degree of protection : IP 44

Dimensions in mm							
A1	19	D1	145	H2	273		
A2	14	D2	130	L	340		
B	443	D3	118	L1	170		
B1	110	D4	69	L2	170		
B2	333	H	280				
D	185	H1	220				
<b>Weight :</b>		24,6 kg					
<b>Pump connection</b>							
Suction side :		DN 65	/		PN6, PN10, PN16		
Discharge side :		DN 65	/		PN6, PN10, PN16		



WATER • TECHNOLOGY

# PERFORMANCE CURVES

2023-03-17

Page 2 / 3

DAB PUMPS S.p.A.  
Via Marco Polo, 14 - 35035 Mestrino (PD), Italy  
Tel. +39 049 5125000 - Fax +39 049 5125950  
www.dabpumps.com

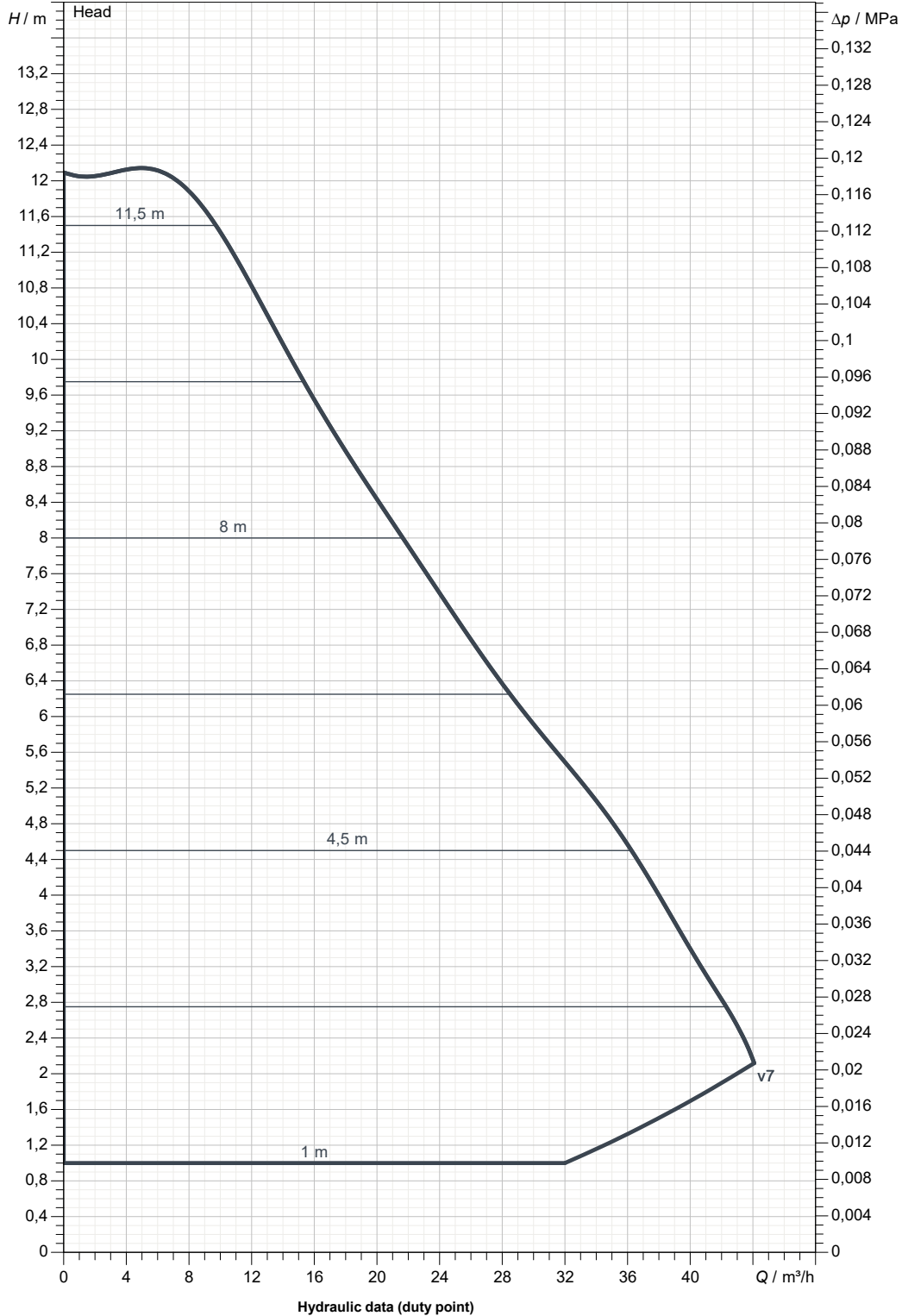
Receiver

From

Company  
Reference  
Address  
Phone  
Fax  
E-mail

## EVOPLUS B 120/340.65 M

Curve tolerance according to ISO 9906



Suction side :  
DN 65  
PN6, PN10, PN16

Discharge side :  
DN 65  
PN6, PN10, PN16

Flow :

Head :

Rated speed :  
2.900 1/min

MAIN\_PROJECT\_TITLE

BUSINESS\_PROCESS\_ID

OWNER\_

ISSUE\_DATE  
2023-03-17



# DIMENSIONAL DRAWING

2023-03-17

Page 3 / 3

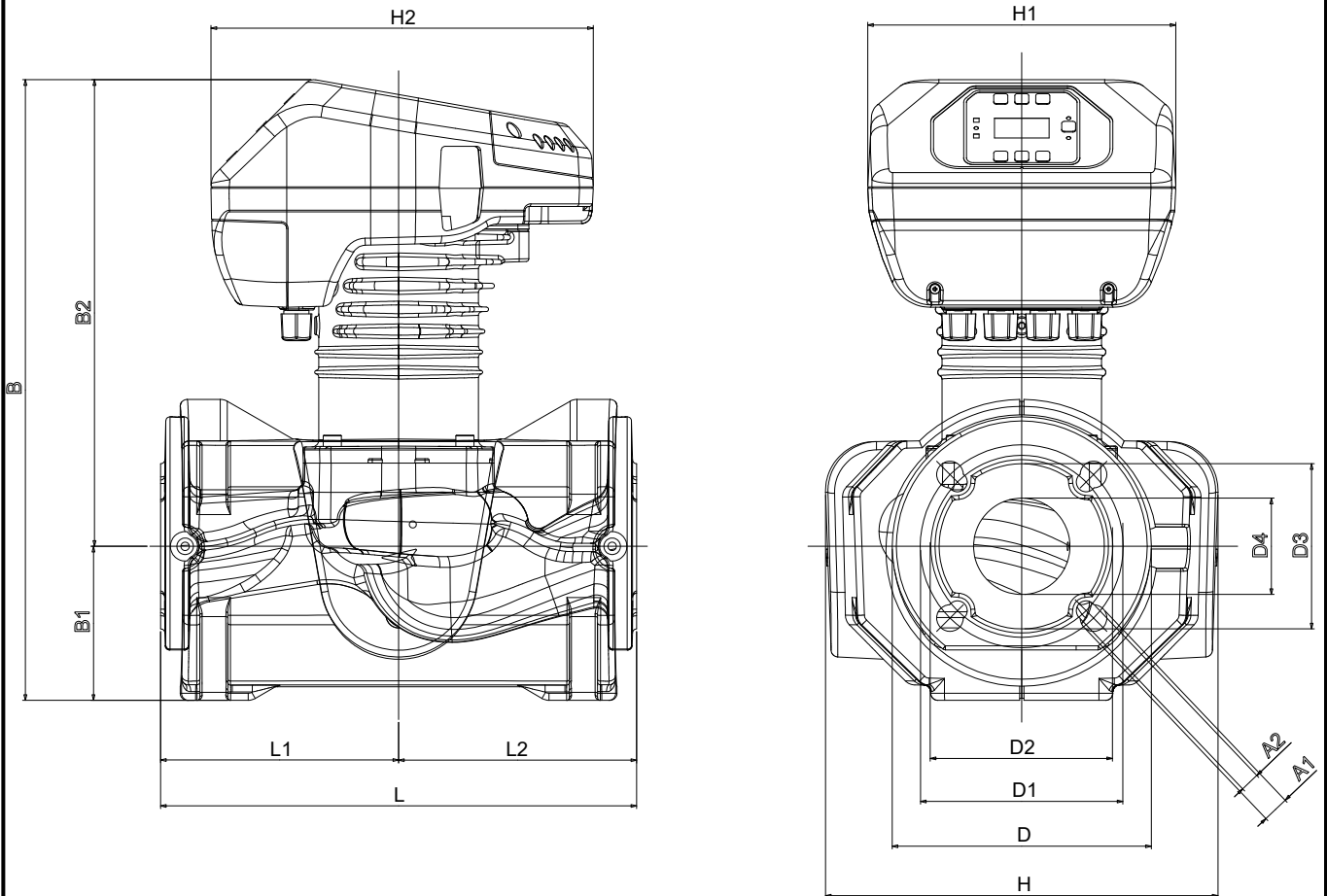
DAB PUMPS S.p.A.  
Via Marco Polo, 14 - 35035 Mestrino (PD), Italy  
Tel. +39 049 5125000 - Fax +39 049 5125950  
www.dabpumps.com

Receiver

From

Company  
Reference  
Address  
Phone  
Fax  
E-mail

## EVOPLUS B 120/340.65 M



**Dimensions in mm**

**Pump connection**

1	A1	19	H1	220	Suction DN 65 PN6, PN10, PN16  Discharge DN 65 PN6, PN10, PN16
2	A2	14	H2	273	
3	B	443	L	340	
4	B1	110	L1	170	
5	B2	333	L2	170	
6	D	185			
7	D1	145			
8	D2	130			
9	D3	118			
10	D4	69			
11	H	280			

MAIN_PROJECT_TITLE	BUSINESS_PROCESS_ID	OWNER	ISSUE_DATE 2023-03-17
--------------------	---------------------	-------	--------------------------