

**Receiver**

**From**

Company  
Reference  
Address  
Phone  
Fax  
E-mail

**Item n° :** 60151007  
**Customer pos. no.:**  
**Model :** EVOPLUS D 180/250.40 M

**Pump data**  
Pressure rating : 1,6 MPa  
Min. fluid temperature : -10 °C  
Max. fluid temperature : 110 °C  
EEI : ≤ 0,20

**Minimum suction head :**  
Temperature : °C 90 - 100  
Minimum suction head : m 20 - 25

**Requested data**  
Flow :  
Head :  
Fluid (%) :  
Fluid Temperature : 20 °C  
Density : 998,3 kg/m³  
Kinematic viscosity : 1,005 mm²/s  
Vapor pressure : 0,00 MPa

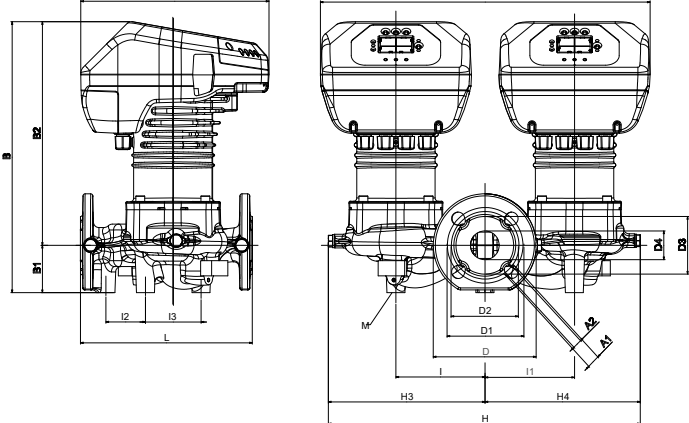
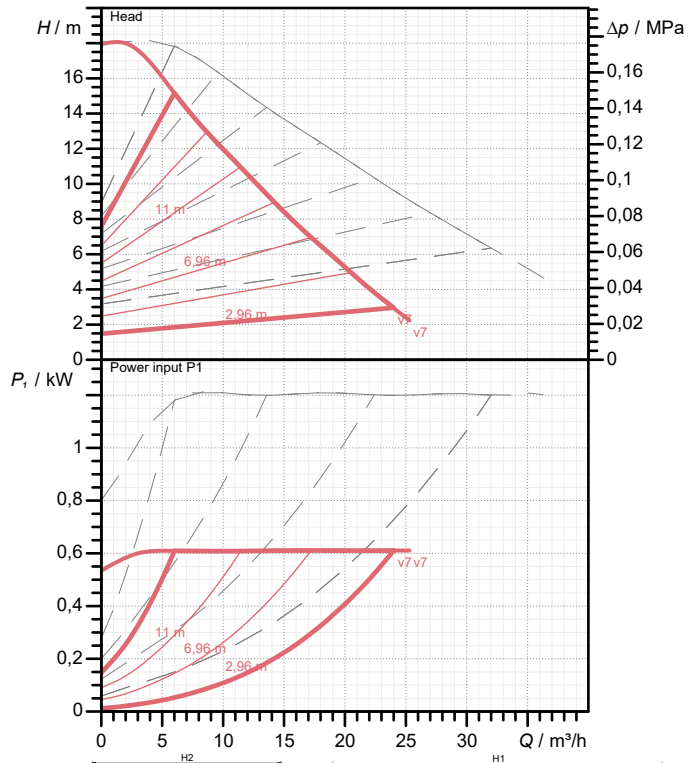
**Hydraulic data (duty point)**  
Flow :  
Head :

**Materials**  
Pump body : Cast iron 250 UNI ISO 185 - CTF  
Impeller : Technopolymer  
Motor shaft : Stainless steel  
Seal ring : EPDM  
Motor casing : Die cast aluminium  
Closing flange : Stainless steel  
Thrust ring support : Stainless steel

**Motor data**  
Motor brand : DAB  
Power input P1 : 1 X 0,61 kW  
Rated voltage : 1~ 220-240 V 50 Hz  
Nominal current : 1 X 2,9 A  
Degree of protection : IP 44

**Curve tolerance according to ISO 9906**

Number of working motors : 1



Dimensions in mm	
A1	19
A2	14
B	395
B1	69
B2	326
D	150
D1	110
D2	100
D3	84
D4	42
H	454
H1	480
H2	274
H3	228
H4	226
I	130
I1	130
I2	58
I3	81
L	250
M	M12

**Weight :** 38,8 kg

**Pump connection**

Suction side : DN 40 / PN6, PN10, PN16  
Discharge side : DN 40 / PN6, PN10, PN16



# PERFORMANCE CURVES

2023-03-17

Page 2 / 3

DAB PUMPS S.p.A.  
Via Marco Polo, 14 - 35035 Mestrino (PD), Italy  
Tel. +39 049 5125000 - Fax +39 049 5125950  
www.dabpumps.com

Receiver

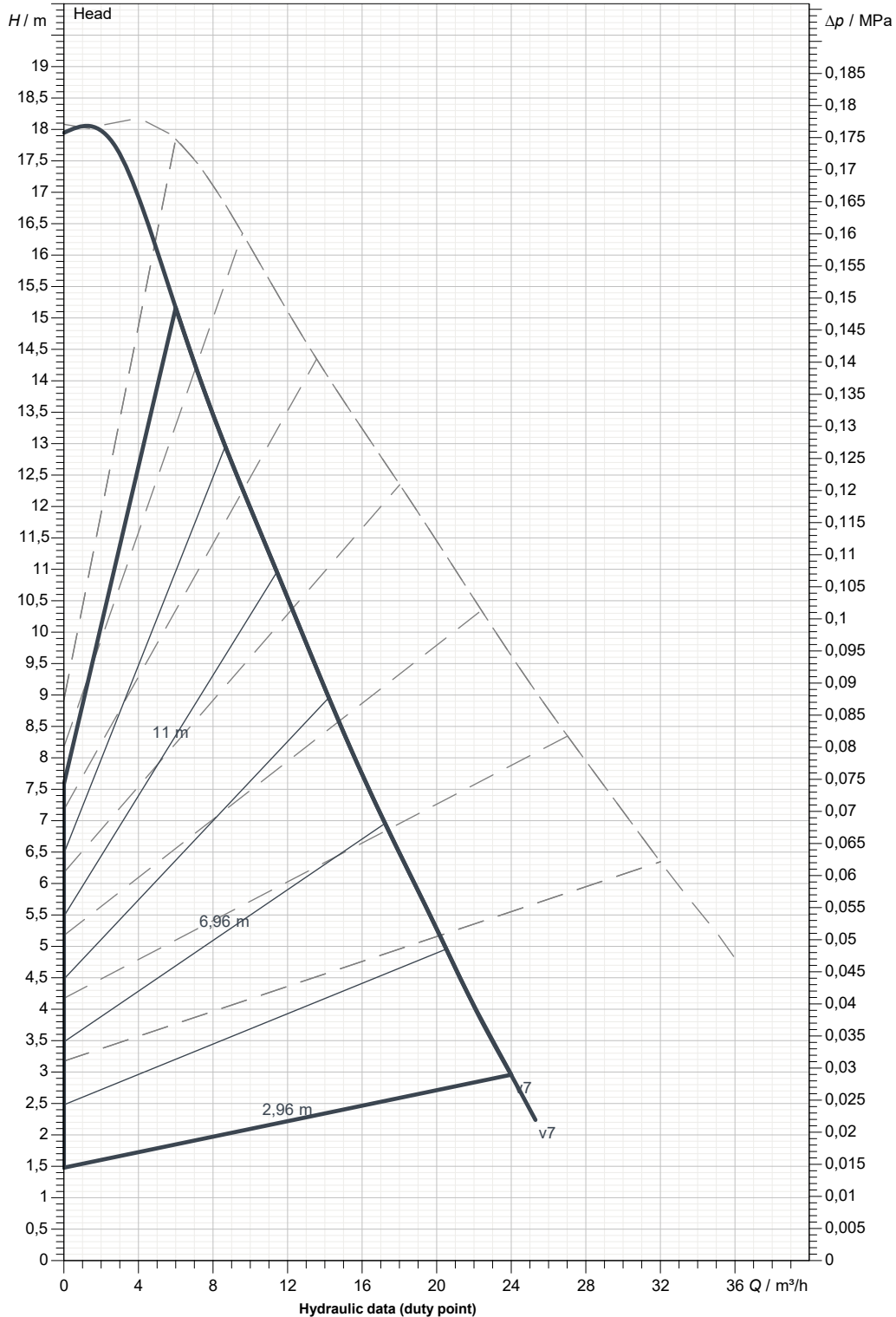
From

Company  
Reference  
Address  
Phone  
Fax  
E-mail

## EVOPLUS D 180/250.40 M

Number of working motors : 1

Curve tolerance according to ISO 9906



Suction side :

DN 40

PN6, PN10, PN16

Discharge side :

DN 40

PN6, PN10, PN16

Flow :

Head :

Rated speed :

2.900 1/min

MAIN\_PROJECT\_TITLE

BUSINESS\_PROCESS\_ID

OWNER\_

ISSUE\_DATE

2023-03-17



# DIMENSIONAL DRAWING

2023-03-17

Page 3 / 3

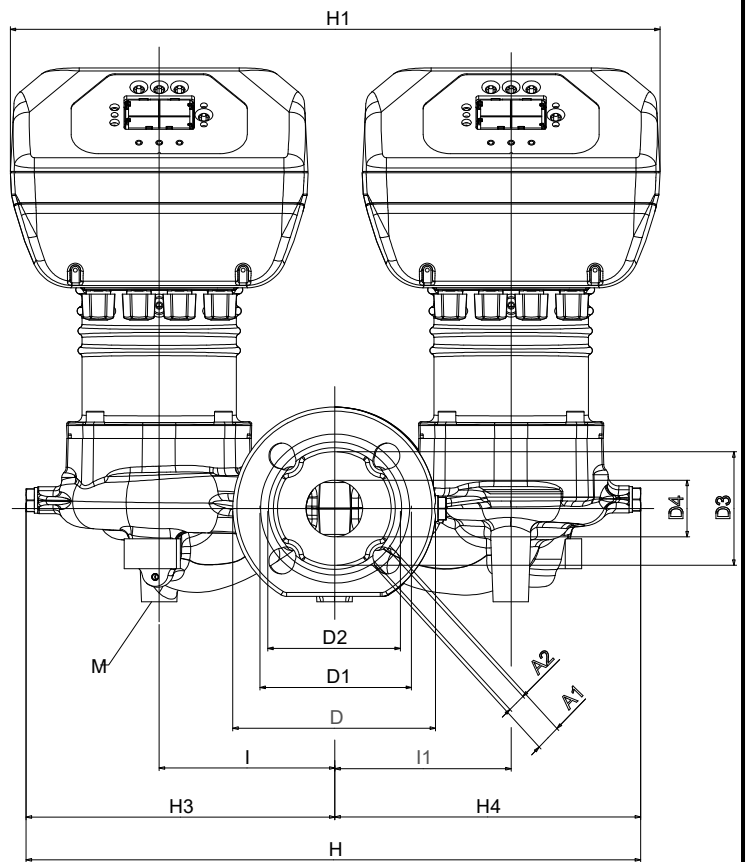
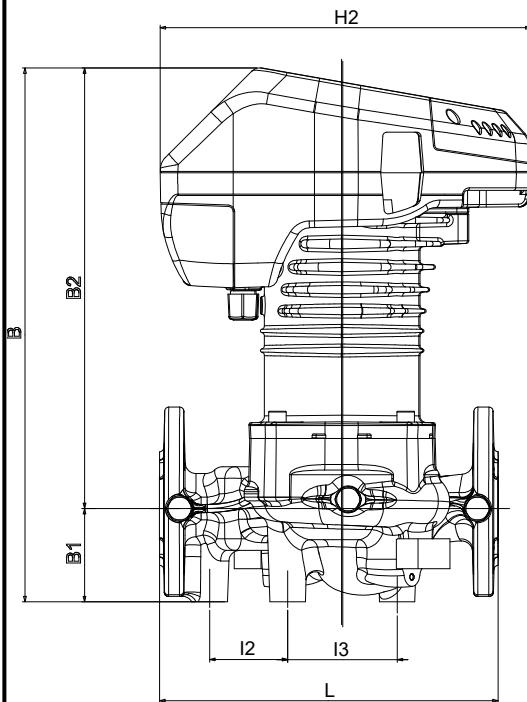
DAB PUMPS S.p.A.  
Via Marco Polo, 14 - 35035 Mestrino (PD), Italy  
Tel. +39 049 5125000 - Fax +39 049 5125950  
www.dabpumps.com

Receiver

From

Company  
Reference  
Address  
Phone  
Fax  
E-mail

## EVOPLUS D 180/250.40 M



**Dimensions in mm**

**Pump connection**

1	A1	19	H1	480	Suction DN 40 PN6, PN10, PN16  Discharge DN 40 PN6, PN10, PN16
2	A2	14	H2	274	
3	B	395	H3	228	
4	B1	69	H4	226	
5	B2	326	I	130	
6	D	150	I1	130	
7	D1	110	I2	58	
8	D2	100	I3	81	
9	D3	84	L	250	
10	D4	42	M	M12	
11	H	454			

MAIN\_PROJECT\_TITLE

BUSINESS\_PROCESS\_ID

OWNER

ISSUE\_DATE

2023-03-17