

**Receiver**

**From**

Company  
Reference  
Address  
Phone  
Fax  
E-mail

**Item n° :** 60151024  
**Customer pos. no.:**  
**Model :** EVOPLUS D 100/360.80 M

**Pump data**  
Pressure rating : 1,6 MPa  
Min. fluid temperature : -10 °C  
Max. fluid temperature : 110 °C  
EEI : ≤ 0,20

**Minimum suction head :**  
Temperature : °C 90 - 100  
Minimum suction head : m 20 - 25

**Requested data**  
Flow :  
Head :  
Fluid (%) :  
Fluid Temperature : 20 °C  
Density : 998,3 kg/m³  
Kinematic viscosity : 1,005 mm²/s  
Vapor pressure : 0,00 MPa

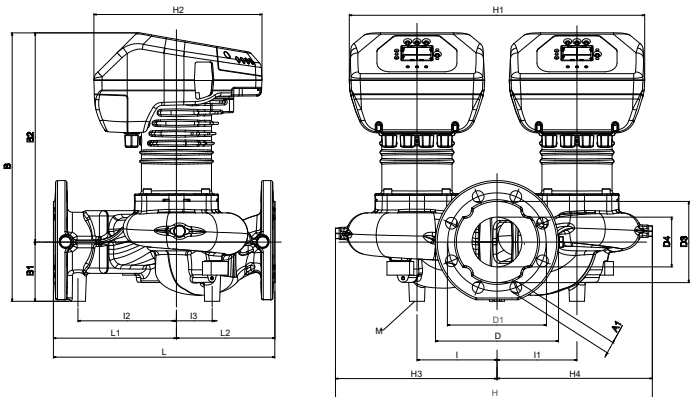
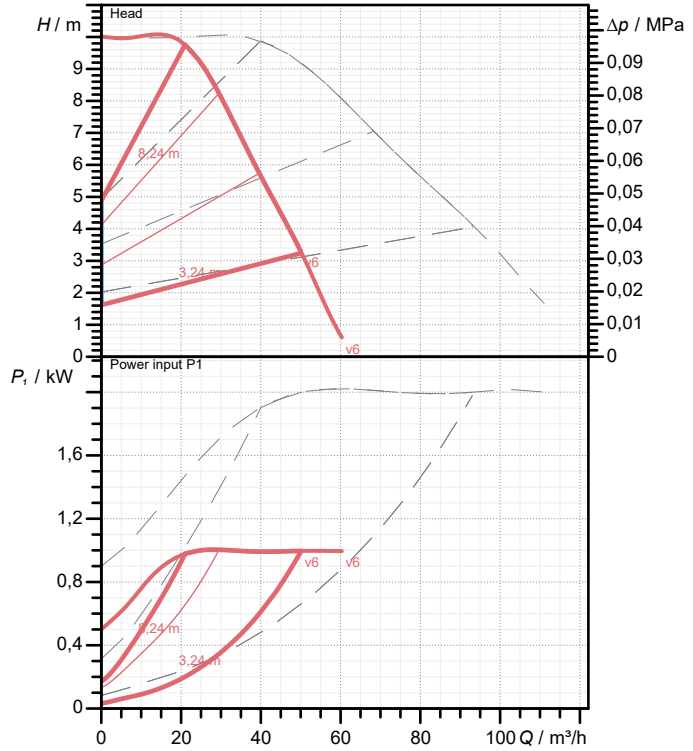
**Hydraulic data (duty point)**  
Flow :  
Head :

**Materials**  
Pump body : Cast iron 250 UNI ISO 185 - CTF  
Impeller : Technopolymer  
Motor shaft : Stainless steel  
Seal ring : EPDM  
Motor casing : Die cast aluminium  
Closing flange : Stainless steel  
Thrust ring support : Stainless steel

**Motor data**  
Motor brand : DAB  
Power input P1 : 1 X 1,005 kW  
Rated voltage : 1~ 220-240 V 50 Hz  
Nominal current : 1 X 4,5 A  
Degree of protection : IP 44

**Curve tolerance according to ISO 9906**

Number of working motors : 1



Dimensions in mm	
A1	19
B	437
B1	96
B2	341
D	200
D1	160
D3	132
D4	80
H	515
H1	480
H2	273
H3	262
H4	253
I	130
I1	130
I2	160
I3	58
L	360
L1	200
L2	160
M	M12

**Weight :** 56 kg

**Pump connection**  
Suction side : DN 80 / PN 6  
Discharge side : DN 80 / PN 6



# PERFORMANCE CURVES

2023-03-17

Page 2 / 3

DAB PUMPS S.p.A.  
Via Marco Polo, 14 - 35035 Mestrino (PD), Italy  
Tel. +39 049 5125000 - Fax +39 049 5125950  
www.dabpumps.com

Receiver

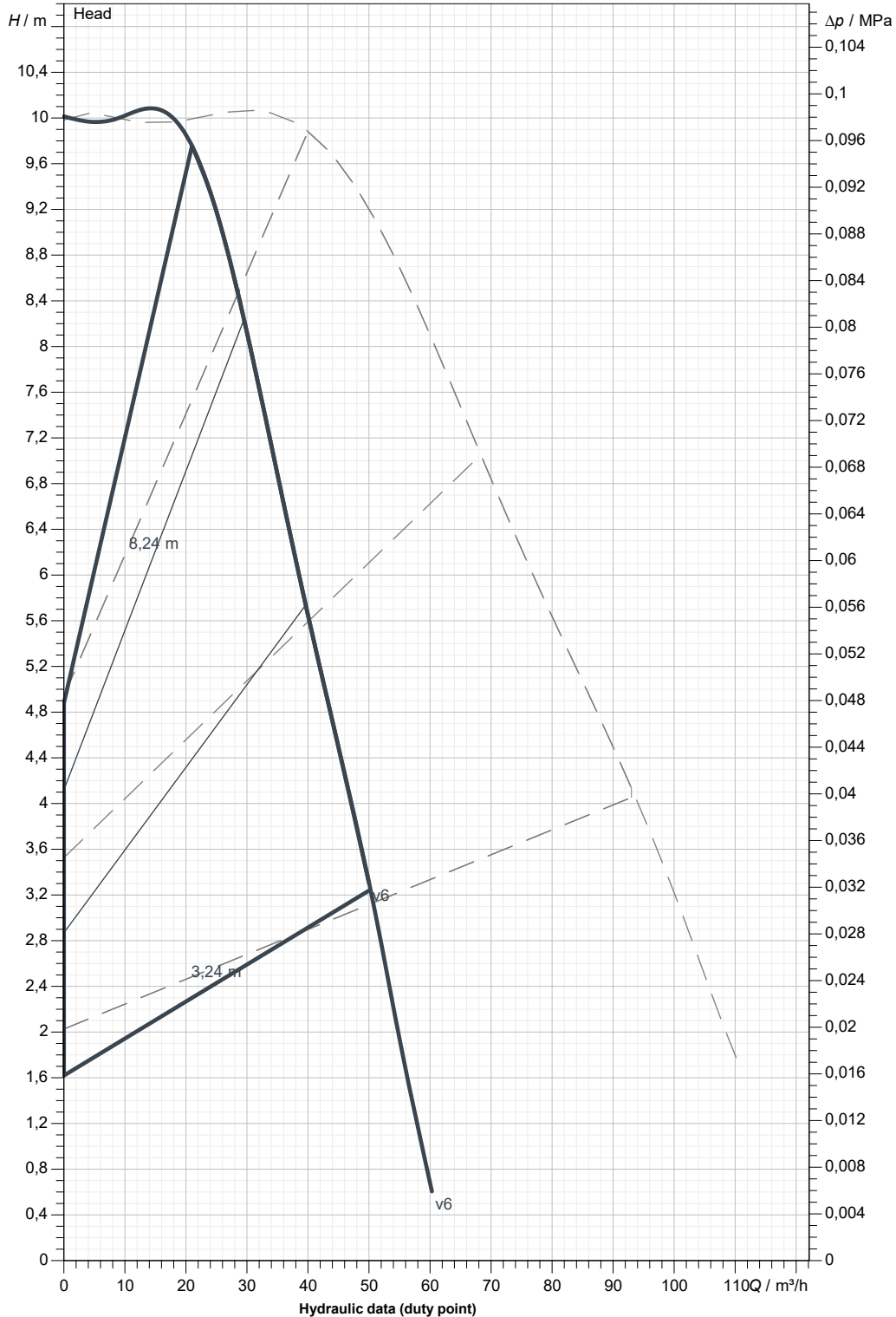
From

Company  
Reference  
Address  
Phone  
Fax  
E-mail

## EVOPLUS D 100/360.80 M

Number of working motors : 1

Curve tolerance according to ISO 9906



Suction side :  
DN 80  
PN 6

Discharge side :  
DN 80  
PN 6

Flow :

Head :

Rated speed :  
2.900 1/min

MAIN\_PROJECT\_TITLE

BUSINESS\_PROCESS\_ID

OWNER\_

ISSUE\_DATE  
2023-03-17



# DIMENSIONAL DRAWING

2023-03-17

Page 3 / 3

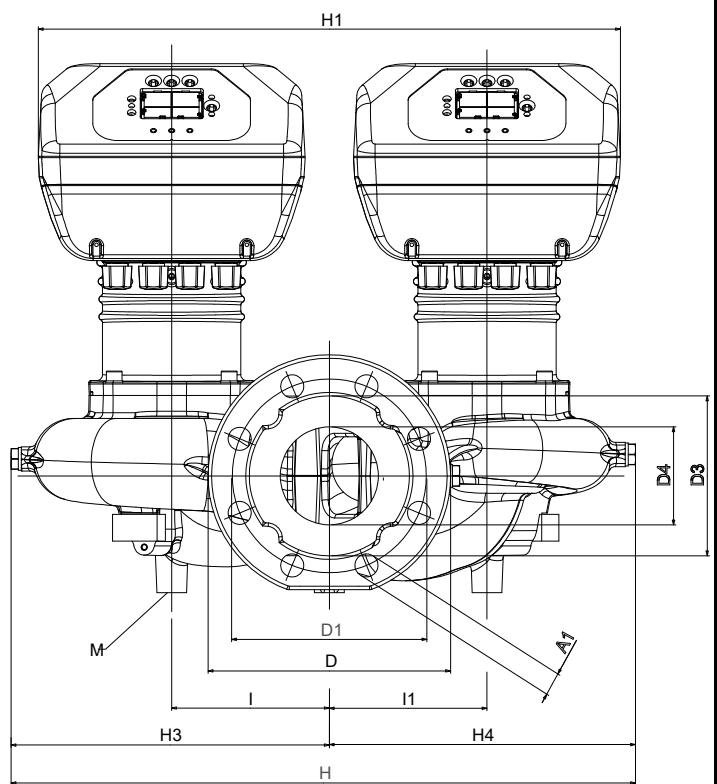
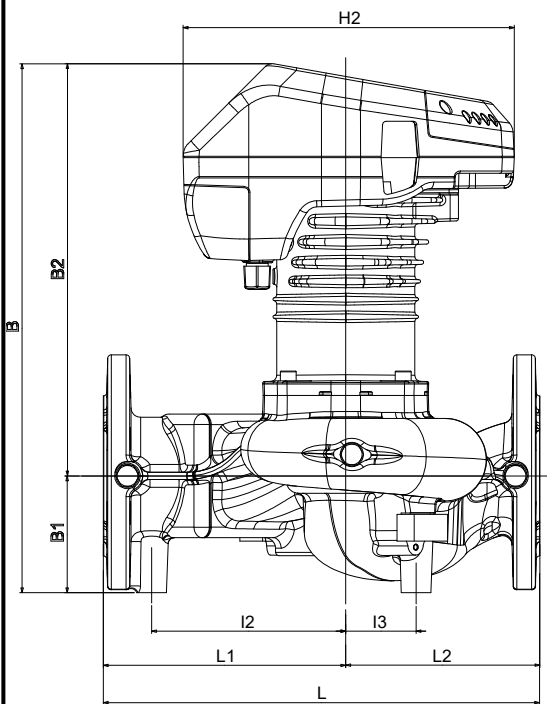
DAB PUMPS S.p.A.  
Via Marco Polo, 14 - 35035 Mestrino (PD), Italy  
Tel. +39 049 5125000 - Fax +39 049 5125950  
www.dabpumps.com

Receiver

From

Company  
Reference  
Address  
Phone  
Fax  
E-mail

## EVOPLUS D 100/360.80 M



Dimensions in mm					Pump connection	
1	A1	19	H3	262	Suction DN 80 PN 6  Discharge DN 80 PN 6	
2	B	437	H4	253		
3	B1	96	I	130		
4	B2	341	I1	130		
5	D	200	I2	160		
6	D1	160	I3	58		
7	D3	132	L	360		
8	D4	80	L1	200		
9	H	515	L2	160		
10	H1	480	M	M12		
11	H2	273				

MAIN_PROJECT_TITLE	BUSINESS_PROCESS_ID	OWNER	ISSUE_DATE 2023-03-17
--------------------	---------------------	-------	--------------------------