

Receiver

From

Company
Reference
Address
Phone
Fax
E-mail

Item n° : Customer pos. no.:

60151153

Model :

EVOPLUS B 110/220.32 SAN M

Pump data

Pressure rating : 1,6 MPa
Min. fluid temperature : -10 °C
Max. fluid temperature : 110 °C
EEI : ≤ ***

Minimum suction head :

Temperature °C 90 100
Minimum suction head : m 20 25

Requested data

Flow :
Head :
Fluid (%) :
Fluid Temperature : 20 °C
Density : 998,3 kg/m³
Kinematic viscosity : 1,005 mm²/s
Vapor pressure : 0,00 MPa

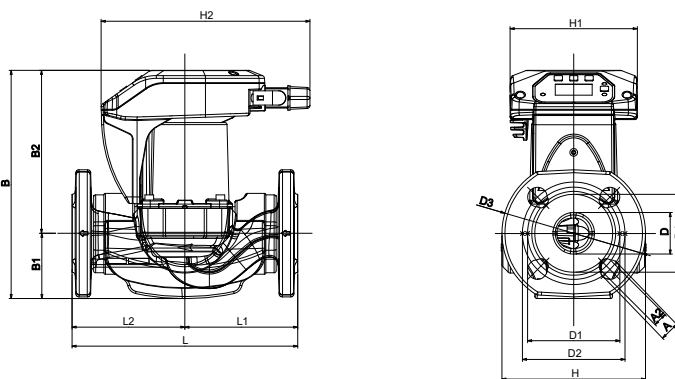
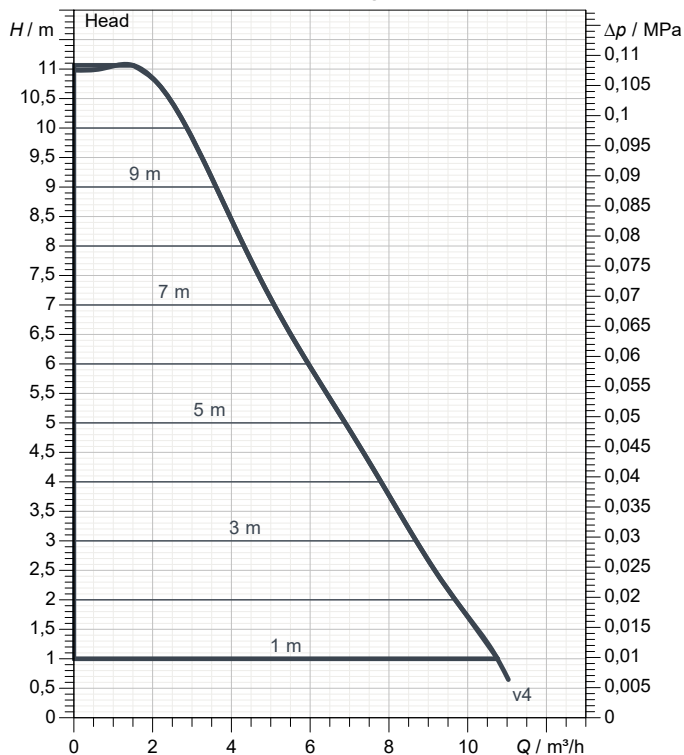
Hydraulic data (duty point)

Flow :
Head :

Materials

Pump body Bronze
Impeller Technopolymer
Motor shaft Alumina
Seal ring EPDM
Motor casing Die cast aluminium
Closing flange Stainless steel
Thrust ring support EPDM

Curve tolerance according to ISO 9906



Motor data

Motor brand : DAB
Power input P1 : 0,21 kW
Rated voltage : 1~ 220-240 V 50 Hz
Nominal current : 1,45 A
Degree of protection : IP 44

Dimensions in mm

| | | | | | | | |
|----|-----|----|-----|----|-----|--|--|
| A | 14 | D2 | 100 | L | 220 | | |
| B | 248 | D3 | 140 | L1 | 110 | | |
| B1 | 64 | D4 | 76 | L2 | 110 | | |
| B2 | 184 | H | 140 | | | | |
| D | 40 | H1 | 124 | | | | |
| D1 | 90 | H2 | 204 | | | | |

Weight : 8,7 kg

Pump connection

Suction side : DN 32 / PN 16
Discharge side : DN 32 / PN 16



PERFORMANCE CURVES

2023-03-17

Page 2 / 3

DAB PUMPS S.p.A.
Via Marco Polo, 14 - 35035 Mestrino (PD), Italy
Tel. +39 049 5125000 - Fax +39 049 5125950
www.dabpumps.com

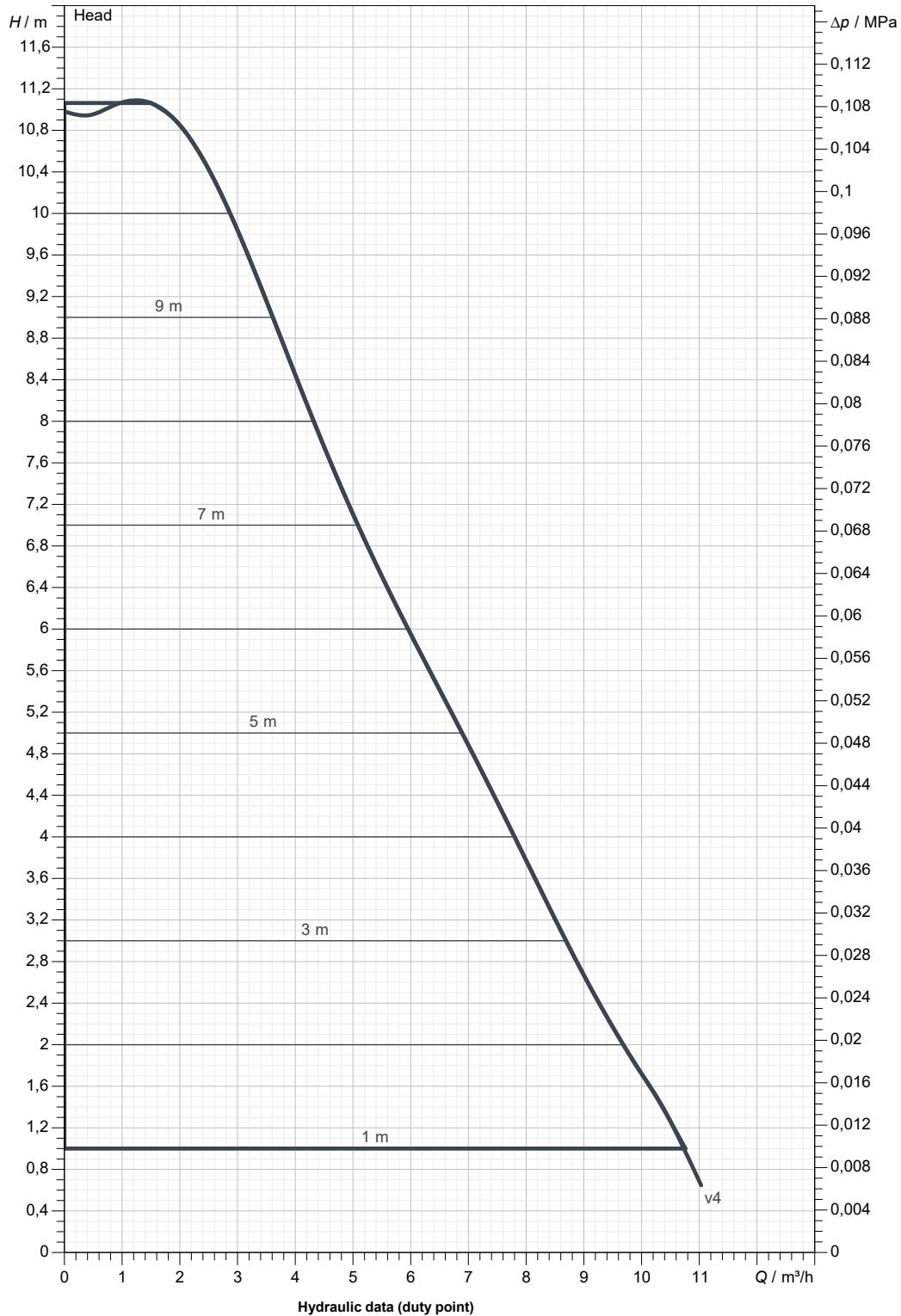
Receiver

From

Company
Reference
Address
Phone
Fax
E-mail

EVOPLUS B 110/220.32 SAN M

Curve tolerance according to ISO 9906



Suction side :
DN 32
PN 16

Discharge side :
DN 32
PN 16

Flow :

Head :

Rated speed :
2.900 1/min

MAIN_PROJECT_TITLE

BUSINESS_PROCESS_ID

OWNER_

ISSUE_DATE
2023-03-17



DIMENSIONAL DRAWING

2023-03-17

Page 3 / 3

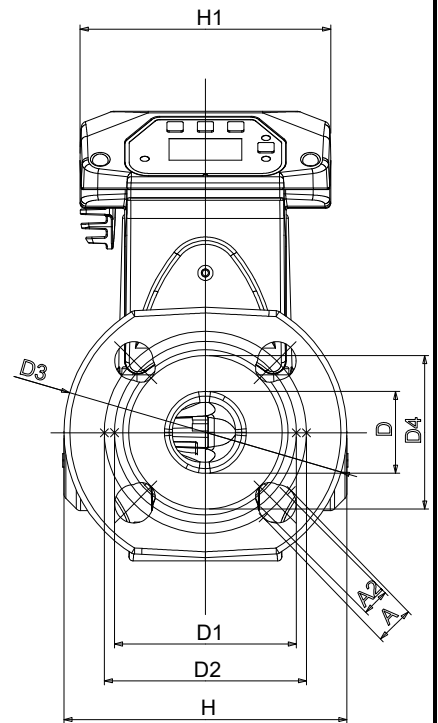
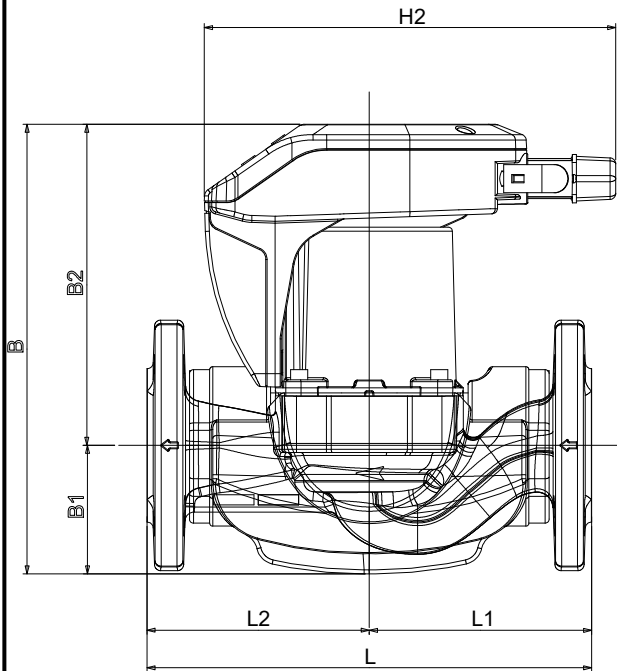
DAB PUMPS S.p.A.
Via Marco Polo, 14 - 35035 Mestrino (PD), Italy
Tel. +39 049 5125000 - Fax +39 049 5125950
www.dabpumps.com

Receiver

From

Company
Reference
Address
Phone
Fax
E-mail

EVOPLUS B 110/220.32 SAN M



Dimensions in mm

Pump connection

| | | | | | |
|----|----|-----|----|-----|--|
| 1 | A | 14 | H2 | 204 | Suction DN 32 PN 16 Discharge DN 32 PN 16 |
| 2 | B | 248 | L | 220 | |
| 3 | B1 | 64 | L1 | 110 | |
| 4 | B2 | 184 | L2 | 110 | |
| 5 | D | 40 | | | |
| 6 | D1 | 90 | | | |
| 7 | D2 | 100 | | | |
| 8 | D3 | 140 | | | |
| 9 | D4 | 76 | | | |
| 10 | H | 140 | | | |
| 11 | H1 | 124 | | | |

MAIN_PROJECT_TITLE

BUSINESS_PROCESS_ID

OWNER_

ISSUE_DATE

2023-03-17