



WATER • TECHNOLOGY

PERFORMANCE CURVES

2023-03-17

Page 2 / 3

DAB PUMPS S.p.A.
Via Marco Polo, 14 - 35035 Mestrino (PD), Italy
Tel. +39 049 5125000 - Fax +39 049 5125950
www.dabpumps.com

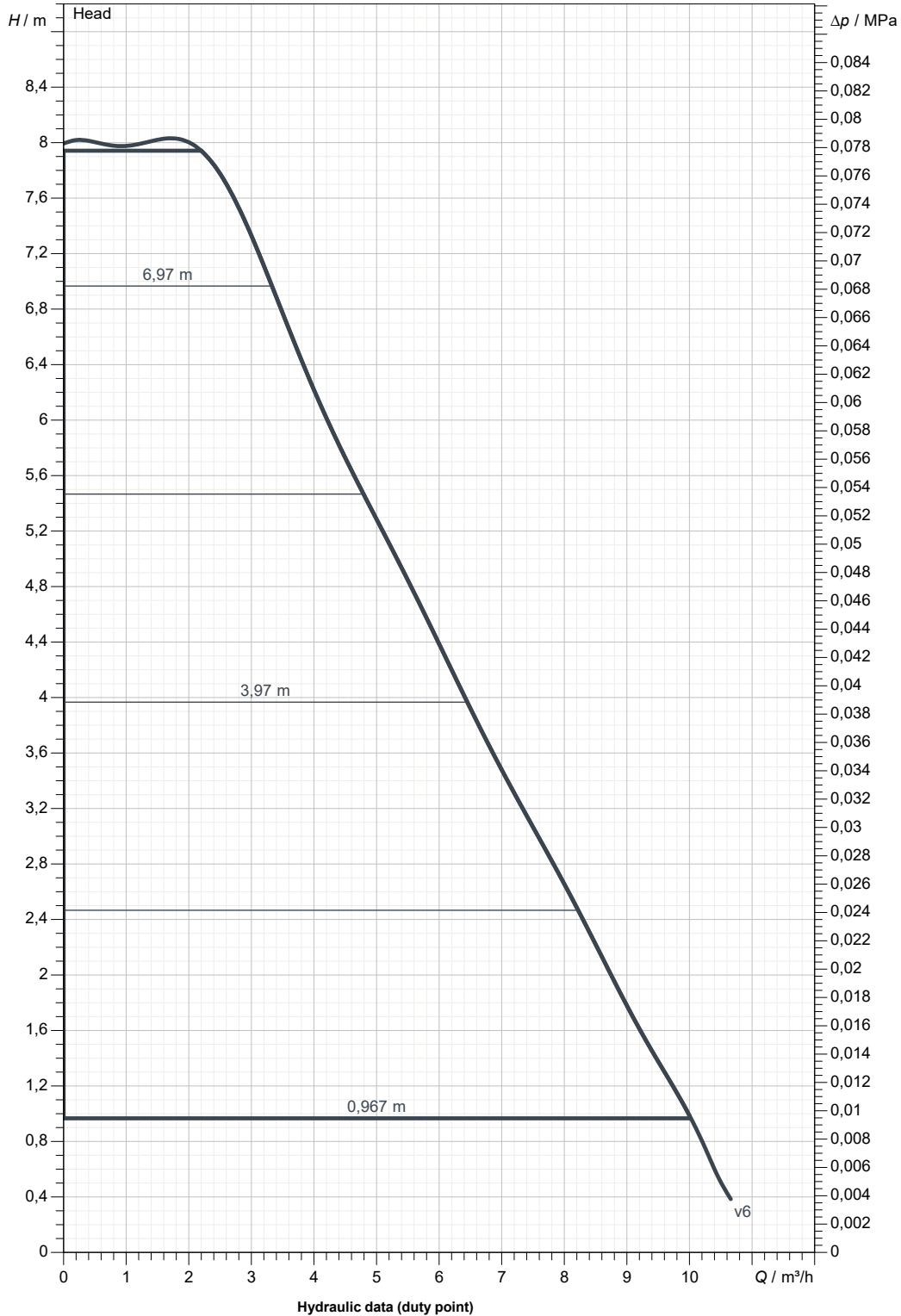
Receiver

From

Company
Reference
Address
Phone
Fax
E-mail

EVOPLUS B 80/250.40 SAN M

Curve tolerance according to ISO 9906



Suction side :
DN 40
PN 16

Discharge side :
DN 40
PN 16

Flow :

Head :

Rated speed :
2.900 1/min

MAIN_PROJECT_TITLE

BUSINESS_PROCESS_ID

OWNER_

ISSUE_DATE
2023-03-17



DIMENSIONAL DRAWING

DAB PUMPS S.p.A.
Via Marco Polo, 14 - 35035 Mestrino (PD), Italy
Tel. +39 049 5125000 - Fax +39 049 5125950
www.dabpumps.com

2023-03-17

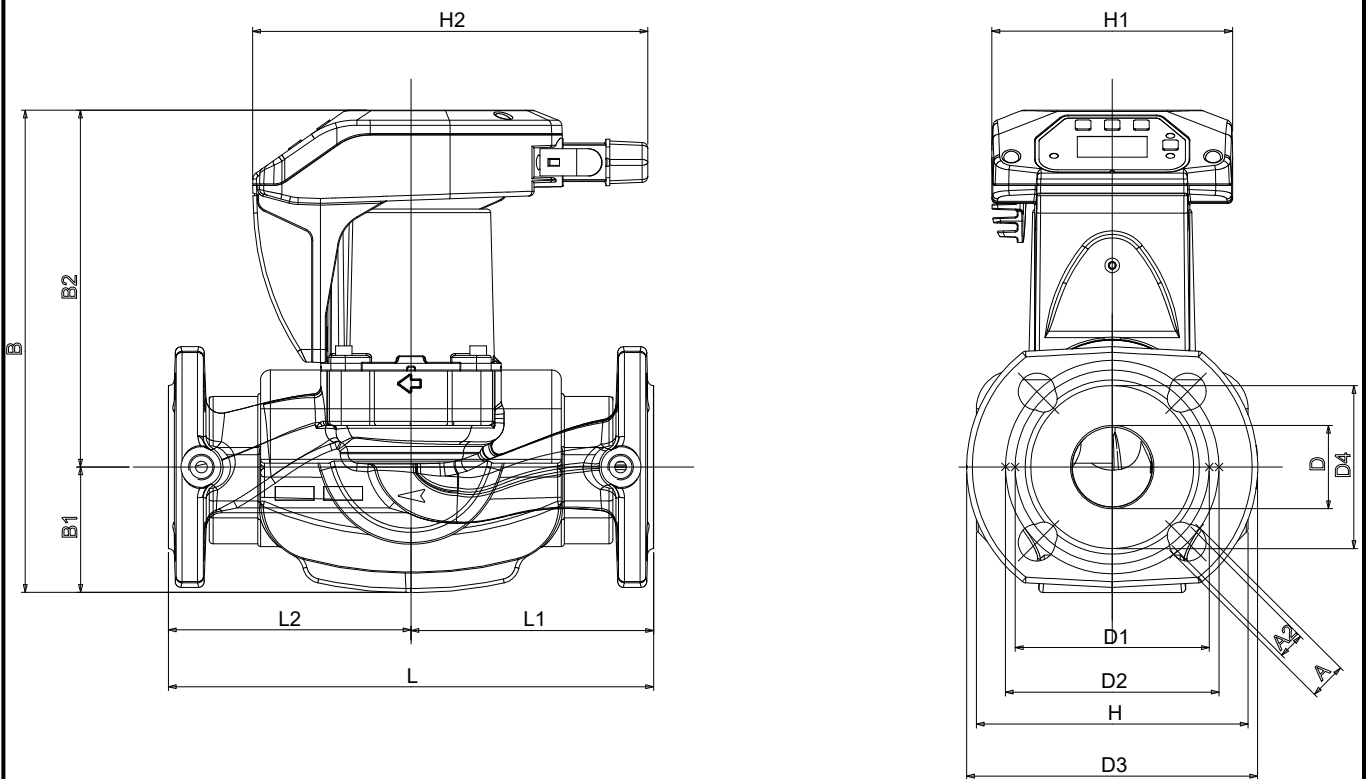
Page 3 / 3

Receiver

From

Company
Reference
Address
Phone
Fax
E-mail

EVOPLUS B 80/250.40 SAN M



Dimensions in mm					Pump connection	
1	A	14	H2	204	Suction DN 40 PN 16	
2	B	248	L	250		
3	B1	64	L1	125		
4	B2	184	L2	125		
5	D	43			Discharge DN 40 PN 16	
6	D1	100				
7	D2	110				
8	D3	150				
9	D4	84				
10	H	140				
11	H1	124				

MAIN_PROJECT_TITLE	BUSINESS_PROCESS_ID	OWNER_	ISSUE_DATE 2023-03-17
--------------------	---------------------	--------	---------------------------------