





# PERFORMANCE CURVES

2023-03-17

Page 2 / 3

DAB PUMPS S.p.A.  
Via Marco Polo, 14 - 35035 Mestrino (PD), Italy  
Tel. +39 049 5125000 - Fax +39 049 5125950  
www.dabpumps.com

Receiver

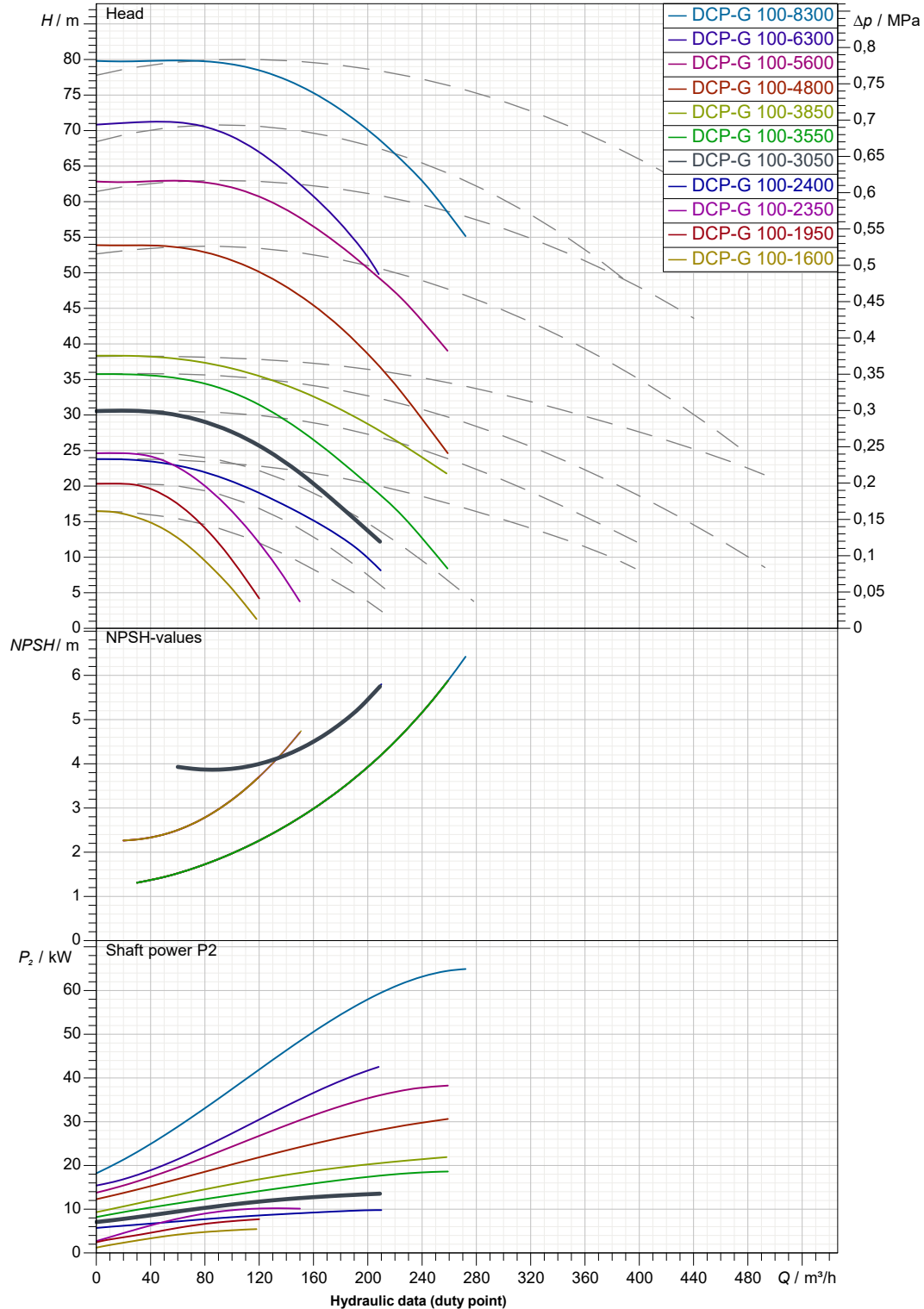
From

Company  
Reference  
Address  
Phone  
Fax  
E-mail

DCP-G 100-3050/A/BAQE/15 IE3

Number of working motors : 1

Curve tolerance according to ISO 9906



Suction side :  
DN 100  
PN 16

Discharge side :  
DN 100  
PN 16

Flow :

Head :

Rated speed :  
2.940 1/min

MAIN\_PROJECT\_TITLE

BUSINESS\_PROCESS\_ID

OWNER\_

ISSUE\_DATE  
2023-03-17



# DIMENSIONAL DRAWING

2023-03-17

Page 3 / 3

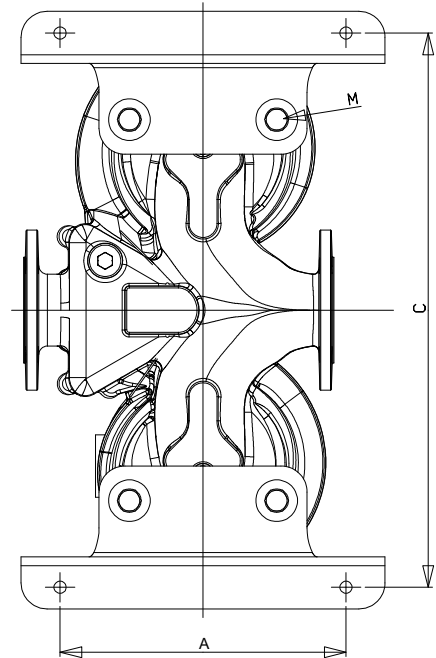
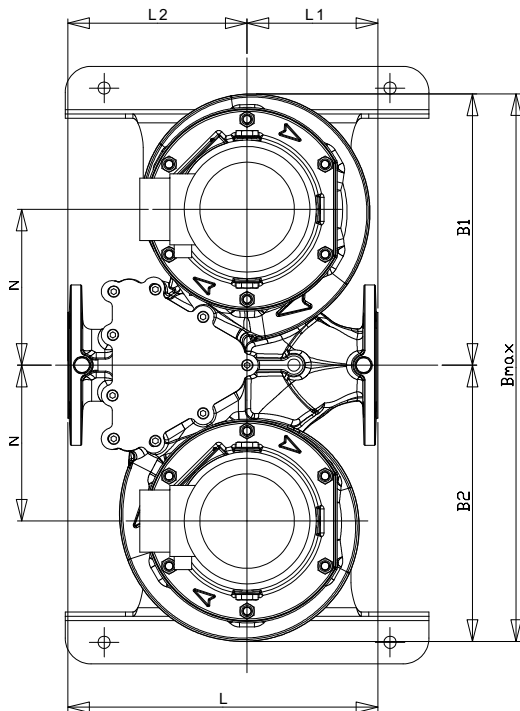
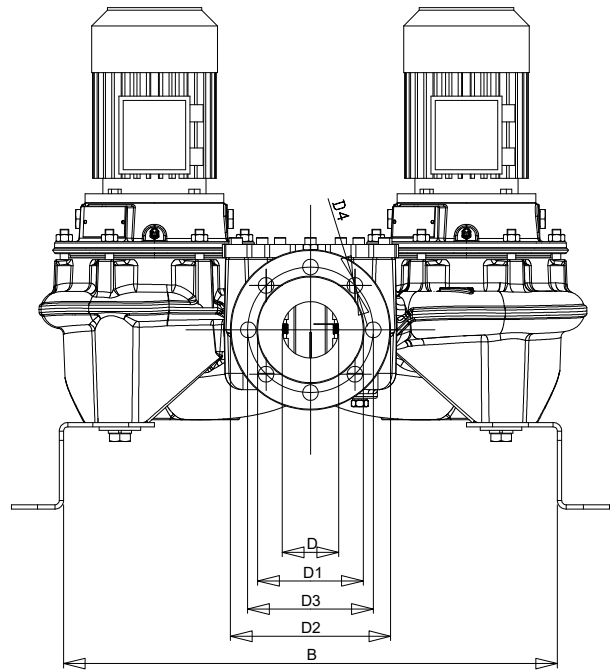
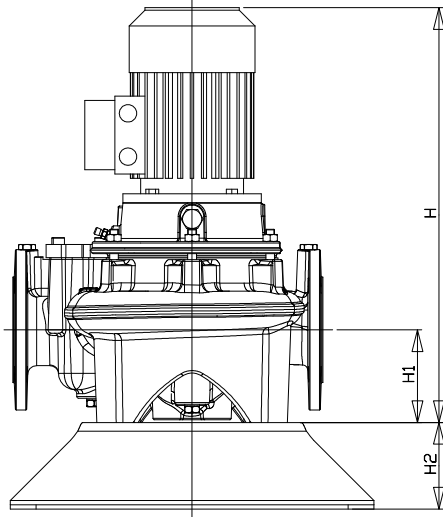
DAB PUMPS S.p.A.  
Via Marco Polo, 14 - 35035 Mestrino (PD), Italy  
Tel. +39 049 5125000 - Fax +39 049 5125950  
www.dabpumps.com

Receiver

From

Company  
Reference  
Address  
Phone  
Fax  
E-mail

## DCP-G 100-3050/A/BAQE/15 IE3



### Dimensions in mm

1	A	362	H	915
2	B	733	H1	140
3	B1	395	H2	100
4	B2	410	L	550
5	Bmax	805	L1	221
6	C	813	L2	329
7	D	100	M	M16
8	D1	156	N	200
9	D2	200		
10	D3	180		
11	D4	8 x Ø18		

### Pump connection

Suction  
DN 100  
PN 16

Discharge  
DN 100  
PN 16

MAIN\_PROJECT\_TITLE

BUSINESS\_PROCESS\_ID

OWNER

ISSUE\_DATE

2023-03-17