

Receiver
From

 Company
 Reference
 Address
 Phone
 Fax
 E-mail

Item n° :
 60167629

Customer pos. no.:
Model :
 K 80/300 T IE3

Pump data
MEI ≥
 Pressure rating : 1,2 MPa
 Min. fluid temperature : -15 °C
 Max. fluid temperature : 110 °C
 Max. Ambient temperature : 40 °C

Requested data

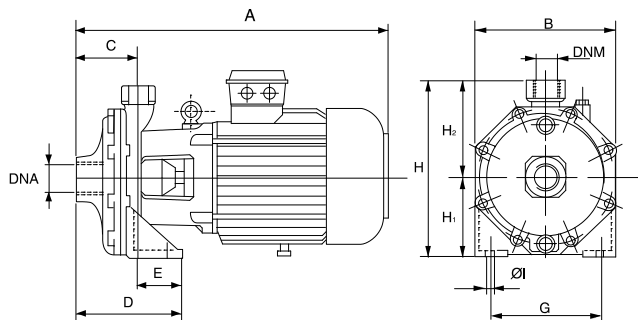
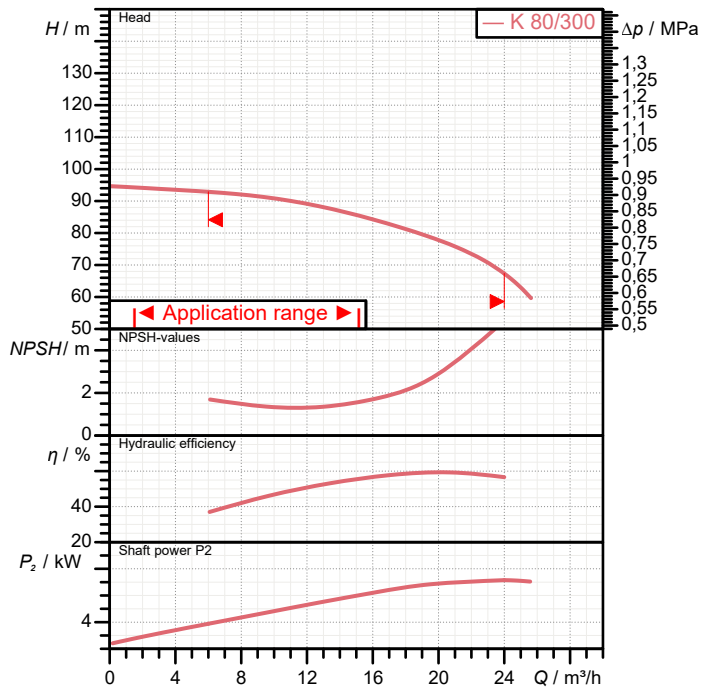
 Flow :
 Head :
 Fluid : Water
 Fluid Temperature : 20 °C
 Density : 998,3 kg/m³
 Kinematic viscosity : 1,005 mm²/s
 Vapor pressure : 0,00 MPa

Hydraulic data (duty point)

 Flow :
 Head :
 NPSH :
 Shaft power P₂ :
 Efficiency :

Materials

 Pump body : Cast iron 200 UNI ISO 185
 Support : Cast iron 200 UNI ISO 185
 Impeller : Technopolymer B
 Mechanical seal : Carbon/Ceramic
 O-Ring : Guarnital
 Shaft with rotor : AISI 304 X5 Cr Ni 1810 UNI 6900/71
 Intermediate cover : Cast iron 200 UNI ISO 185

Curve tolerance according to ISO 9906

Weight : 78.5 kg

Motor data

 Motor brand : DAB
 Nominal power P₂ : 7,5 kW
 Rated speed : 2.900 1/min
 Rated voltage : 3~ 400 V 50 Hz
 Nominal current : 15 A
 Degree of protection : IP 55

Dimensions in mm

A	595
B	270
C	122
D	182
DNA	2" G
DNM	1" 1/4 G
E	60
F	20
G	210
H	340
H ₁	160
H ₂	180
IØ	14

Pump connection

 Suction side : 2" G / 1,2 MPa
 Discharge side : 1" 1/4 G / 1,2 MPa

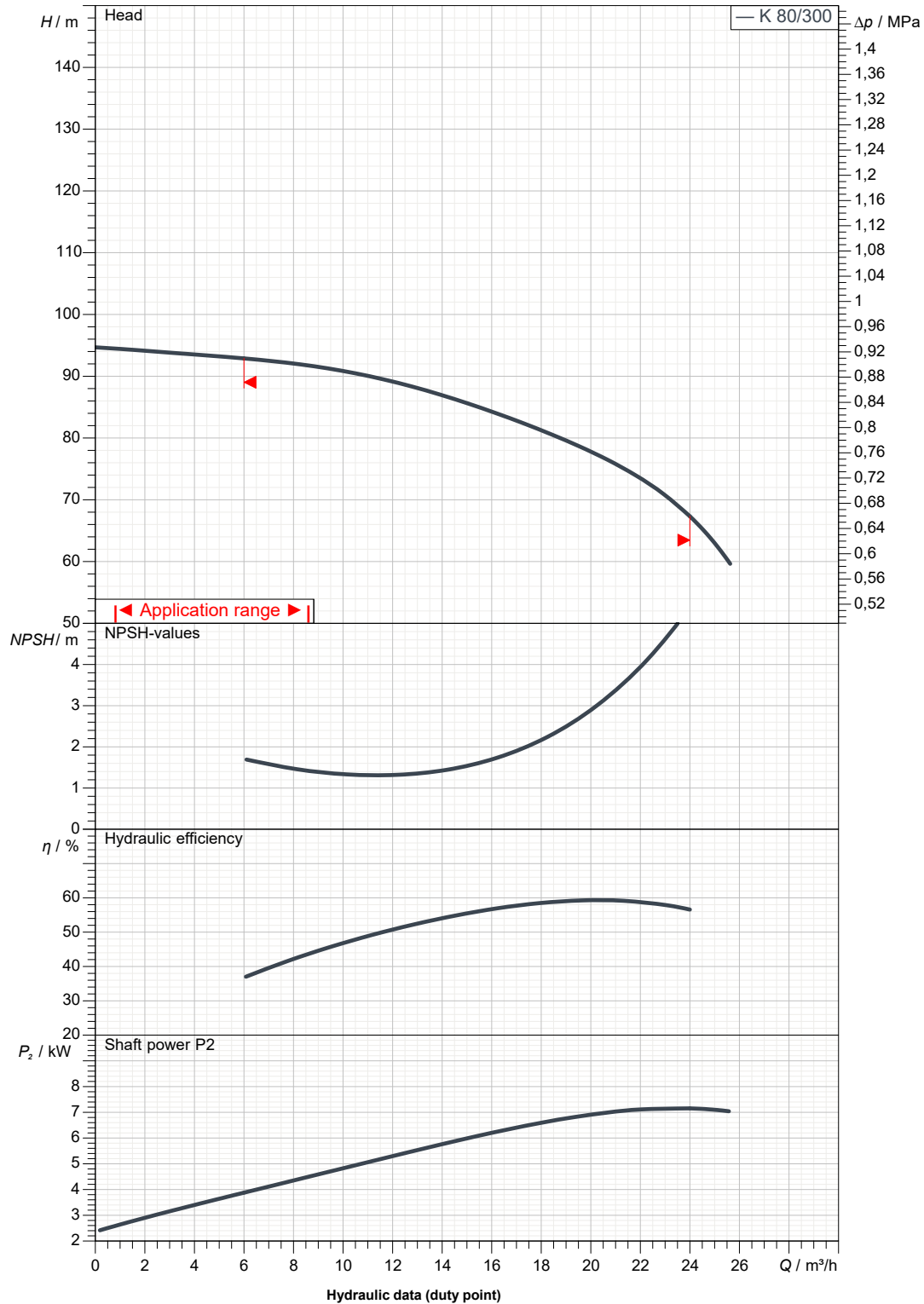
Receiver

From

 Company
 Reference
 Address
 Phone
 Fax
 E-mail

K 80/300 T IE3

Curve tolerance according to ISO 9906


 Suction side :
 2" G
 1,2 MPa

 Discharge side :
 1" 1/4 G
 1,2 MPa

Flow :

Head :

 Rated speed :
 2.900 1/min

MAIN_PROJECT_TITLE

BUSINESS_PROCESS_ID

OWNER_

ISSUE_DATE

2023-03-17



DIMENSIONAL DRAWING

2023-03-17

Page 3 / 3

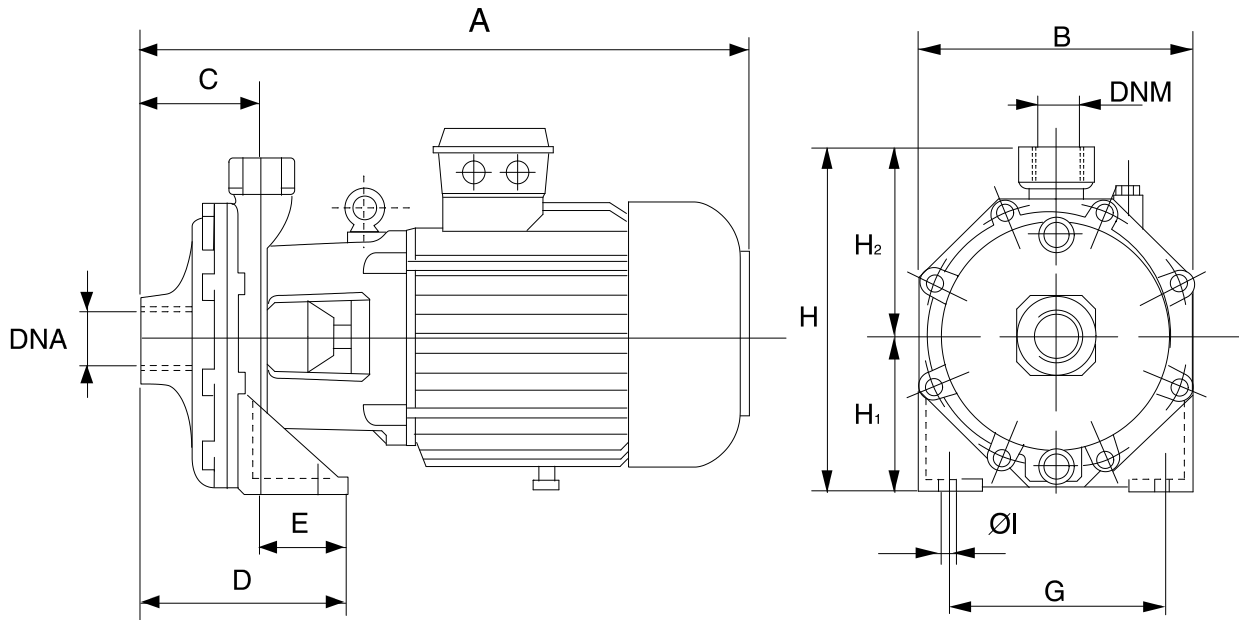
DAB PUMPS S.p.A.
Via Marco Polo, 14 - 35035 Mestrino (PD), Italy
Tel. +39 049 5125000 - Fax +39 049 5125950
www.dabpumps.com

Receiver

From

Company
Reference
Address
Phone
Fax
E-mail

K 80/300 T IE3



Dimensions in mm						Pump connection	
1	A	595	H2	180		Suction 2" G 1,2 MPa Discharge 1" 1/4 G 1,2 MPa	
2	B	270	Ø	14			
3	C	122					
4	D	182					
5	DNA	2" G					
6	DNM	1" 1/4 G					
7	E	60					
8	F	20					
9	G	210					
10	H	340					
11	H1	160					
MAIN_PROJECT_TITLE			BUSINESS_PROCESS_ID		OWNER_	ISSUE_DATE 2023-03-17	