

Receiver
From

 Company
 Reference
 Address
 Phone
 Fax
 E-mail

Item n° :
 60168883

Customer pos. no.:
Model :
 K 12/200 M

Pump data

 MEI \geq 0,70

Pressure rating : 0,6 MPa

Min. fluid temperature : -10 °C

Max. fluid temperature : 50 °C

Max. Ambient temperature : 40 °C

Requested data

Flow :

Head :

Fluid : Water

Fluid Temperature : 20 °C

 Density : 998,3 kg/m³

 Kinematic viscosity : 1,005 mm²/s

Vapor pressure : 0,00 MPa

Hydraulic data (duty point)

Flow :

Head :

NPSH :

Shaft power P2 :

Efficiency :

Materials

Pump body Cast iron 200 UNI ISO 185

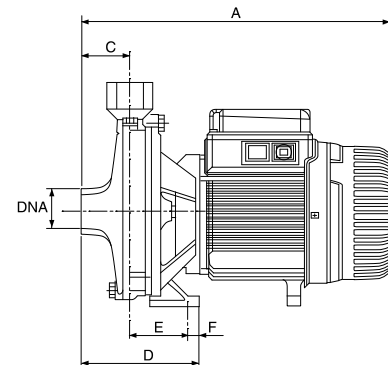
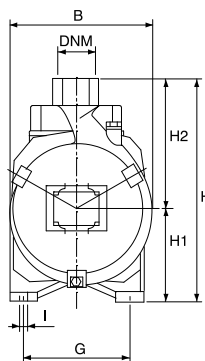
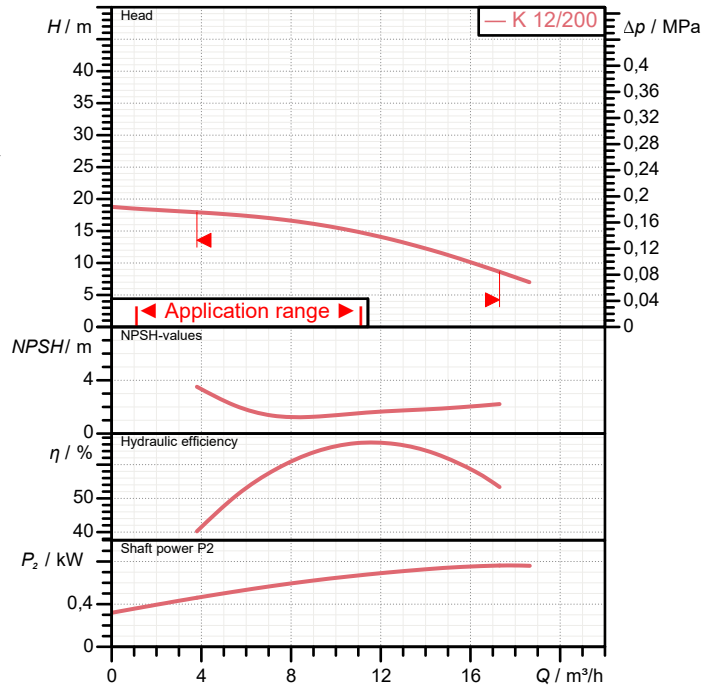
Support Cast iron 200 UNI ISO 185

Impeller Technopolymer A

Mechanical seal Carbon/Ceramic

O-Ring NBR Rubber

Shaft with rotor AISI 416 X12 CrS 13 UNI 6900/71

Curve tolerance according to ISO 9906

Weight : 13,7 kg

Motor data

Motor brand : DAB

Nominal power P2 : 0,75 kW

Rated speed : 2.790 1/min

Rated voltage : 1~ 220-240 V 50 Hz

Nominal current : 5,2 A

Degree of protection : IP 44

Dimensions in mm

A	325
B	173
C	45
D	118
DNA	1"1/2 G-M
DNM	1"1/2 G-M
E	58
F	15
G	110
H	218
H1	85
H2	125
I	9,5

Pump connection

Suction side : 1 " 1/2 G-M 0,6 MPa

Discharge side : 1 " 1/2 G-M 0,6 MPa



PERFORMANCE CURVES

2023-03-17

Page 2 / 3

DAB PUMPS S.p.A.
Via Marco Polo, 14 - 35035 Mestrino (PD), Italy
Tel. +39 049 5125000 - Fax +39 049 5125950
www.dabpumps.com

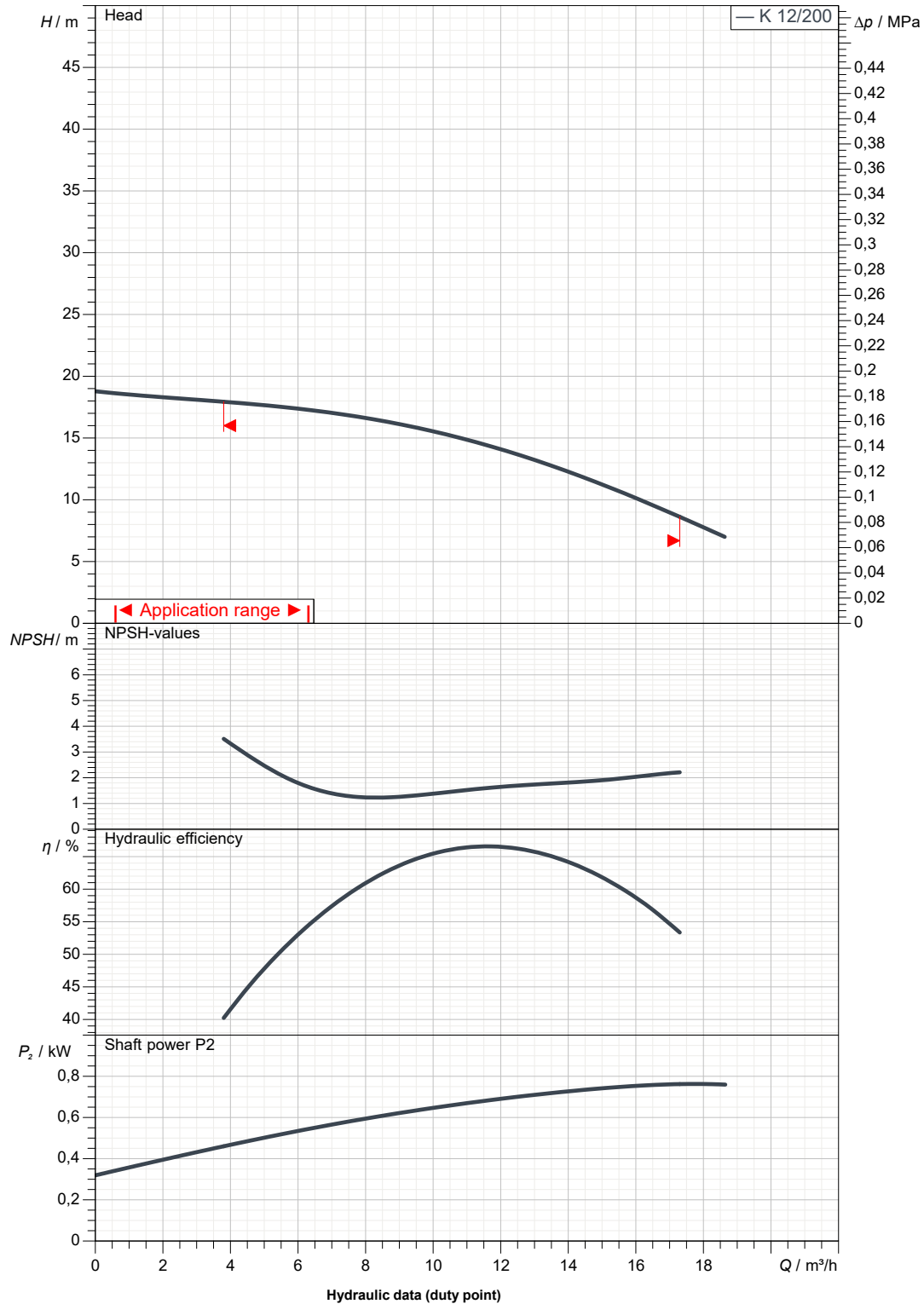
Receiver

From

Company
Reference
Address
Phone
Fax
E-mail

K 12/200 M

Curve tolerance according to ISO 9906



Suction side :
1 " 1/2 G-M
0,6 MPa

Discharge side :
1 " 1/2 G-M
0,6 MPa

Flow :

Head :

Rated speed :
2.790 1/min

MAIN_PROJECT_TITLE

BUSINESS_PROCESS_ID

OWNER_

ISSUE_DATE

2023-03-17



DIMENSIONAL DRAWING

2023-03-17

Page 3 / 3

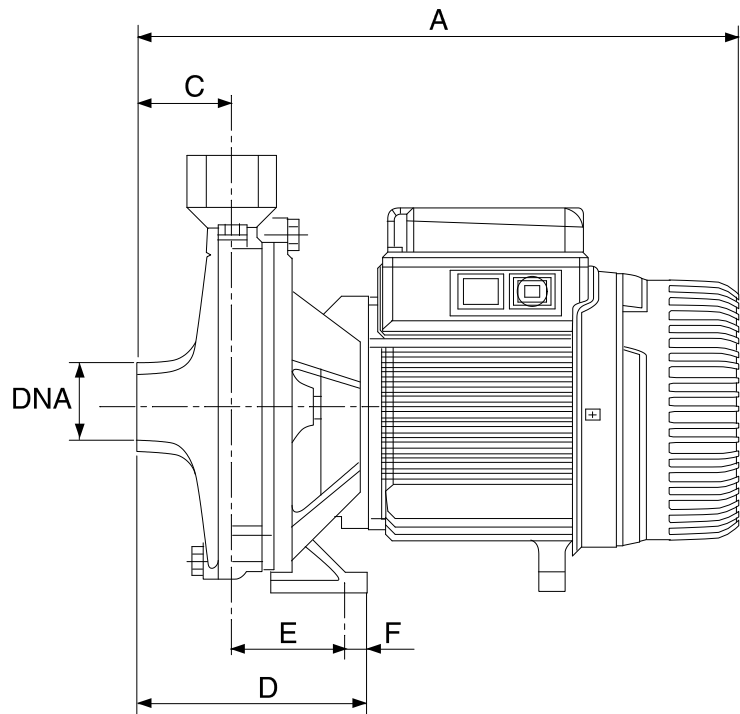
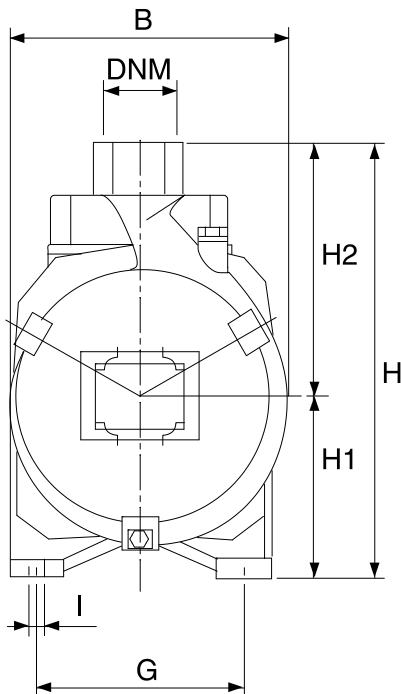
DAB PUMPS S.p.A.
Via Marco Polo, 14 - 35035 Mestrino (PD), Italy
Tel. +39 049 5125000 - Fax +39 049 5125950
www.dabpumps.com

Receiver

From

Company
Reference
Address
Phone
Fax
E-mail

K 12/200 M



Dimensions in mm

Pump connection

1	A	325	H2	125	Suction 1" 1/2 G-M 0,6 MPa Discharge 1" 1/2 G-M 0,6 MPa
2	B	173	I	9,5	
3	C	45			
4	D	118			
5	DNA	1"1/2 G-M			
6	DNM	1"1/2 G-M			
7	E	58			
8	F	15			
9	G	110			
10	H	218			
11	H1	85			

MAIN_PROJECT_TITLE

BUSINESS_PROCESS_ID

OWNER_

ISSUE_DATE

2023-03-17