

Receiver

From

Company
Reference
Address
Phone
Fax
E-mail

Item n° :

Customer pos. no.:

60170272

Model :

KIT 2 ESYBOX + ESYTWIN

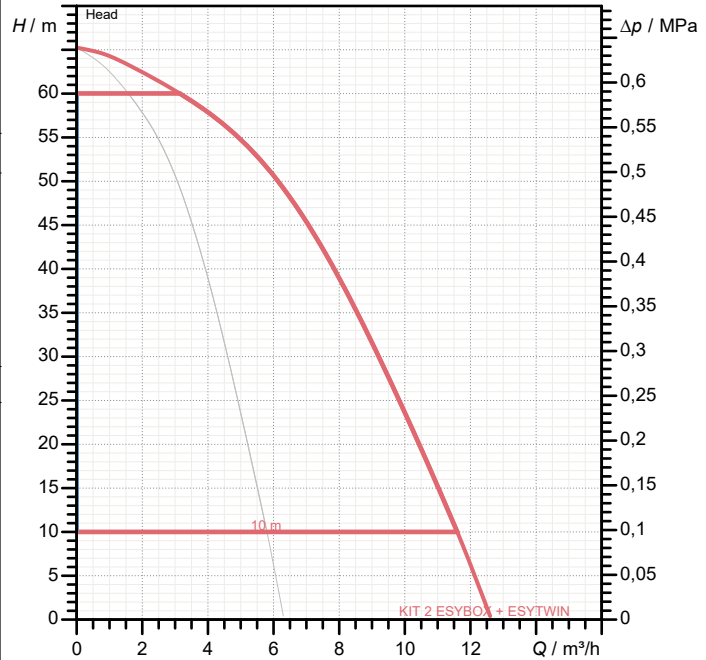
Pump data

Pressure rating : 0,8 MPa
SETTABLE CONSTANT PRESSURE FROM 0,1 TO 0,6 MPa
Min. fluid temperature : 0 °C
Max. fluid temperature : 40 °C
Max. Ambient temperature : 50 °C

Requested data

Flow :
Head :
Fluid : Water
Fluid Temperature : 20 °C
Density : 998,3 kg/m³
Kinematic viscosity : 1,005 mm²/s
Vapor pressure : 0,00234 MPa

Curve tolerance according to ISO 9906

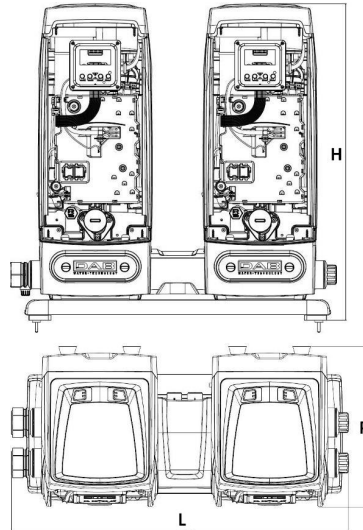


Materials

Motor flange	Technopolymer
Rotor shaft	Stainless Steel AISI 303
Motor liner	Stainless Steel AISI 304
O-Ring	NBR
Mechanical seal	Impregnated carbon-resin/Silicon carbide/EPDM
Plugs	Technopolymer
Suction case	Technopolymer
Insert	Brass nickel coated
Shutter	Technopolymer
Spring	AISI 303
Diffuser	Technopolymer
Diffuser body	Technopolymer
Impeller	Technopolymer
Wear ring	Stainless Steel AISI 316
Nut	Stainless Steel AISI 316
Diffuser plug	Technopolymer
Sintered plate	Stainless Steel AISI 304
Pump body	Technopolymer
Discharge section	Technopolymer
Flow switch body	Technopolymer
Discharge manifold	Technopolymer
Non-return valve	Technopolymer/Rubber/Steel
Tank	Technopolymer/Rubber
Pressure sensor body	Technopolymer

Hydraulic data (duty point)

Flow :
Head :



Dimensions in mm

H	730						
L	752						
P	358						

Weight : 0 kg

Pump connection

Suction side : 1 " 1/4 G / 0,8 MPa
Discharge side : 1 " 1/4 G / 0,8 MPa

Motor data

Power input P1 : 2 x 1,55 kW
Rated speed : 3.000 1/min
Rated voltage : 1~ 220-240 V 50 Hz
Nominal current : 2 x 10 A
Degree of protection : IP X4



PERFORMANCE CURVES

2023-03-17

Page 2 / 3

DAB PUMPS S.p.A.
Via Marco Polo, 14 - 35035 Mestrino (PD), Italy
Tel. +39 049 5125000 - Fax +39 049 5125950
www.dabpumps.com

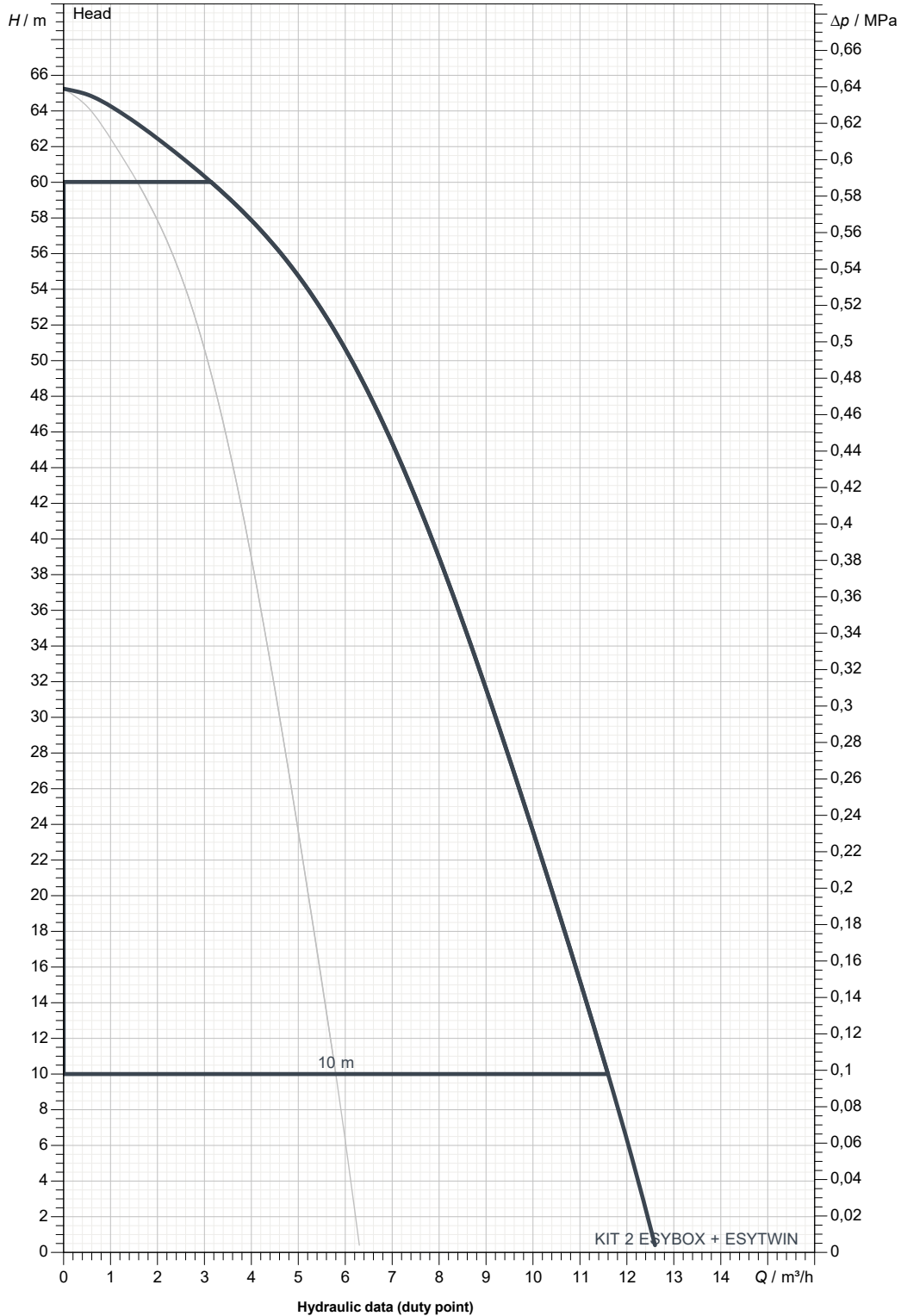
Receiver

From

Company
Reference
Address
Phone
Fax
E-mail

KIT 2 ESYBOX + ESYTWIN

Curve tolerance according to ISO 9906



Hydraulic data (duty point)

Suction side :
1" 1/4 G
0,8 MPa

Discharge side :
1" 1/4 G
0,8 MPa

Flow :

Head :

Rated speed :
3.000 1/min

MAIN_PROJECT_TITLE

BUSINESS_PROCESS_ID

OWNER_

ISSUE_DATE

2023-03-17



DIMENSIONAL DRAWING

2023-03-17

Page 3 / 3

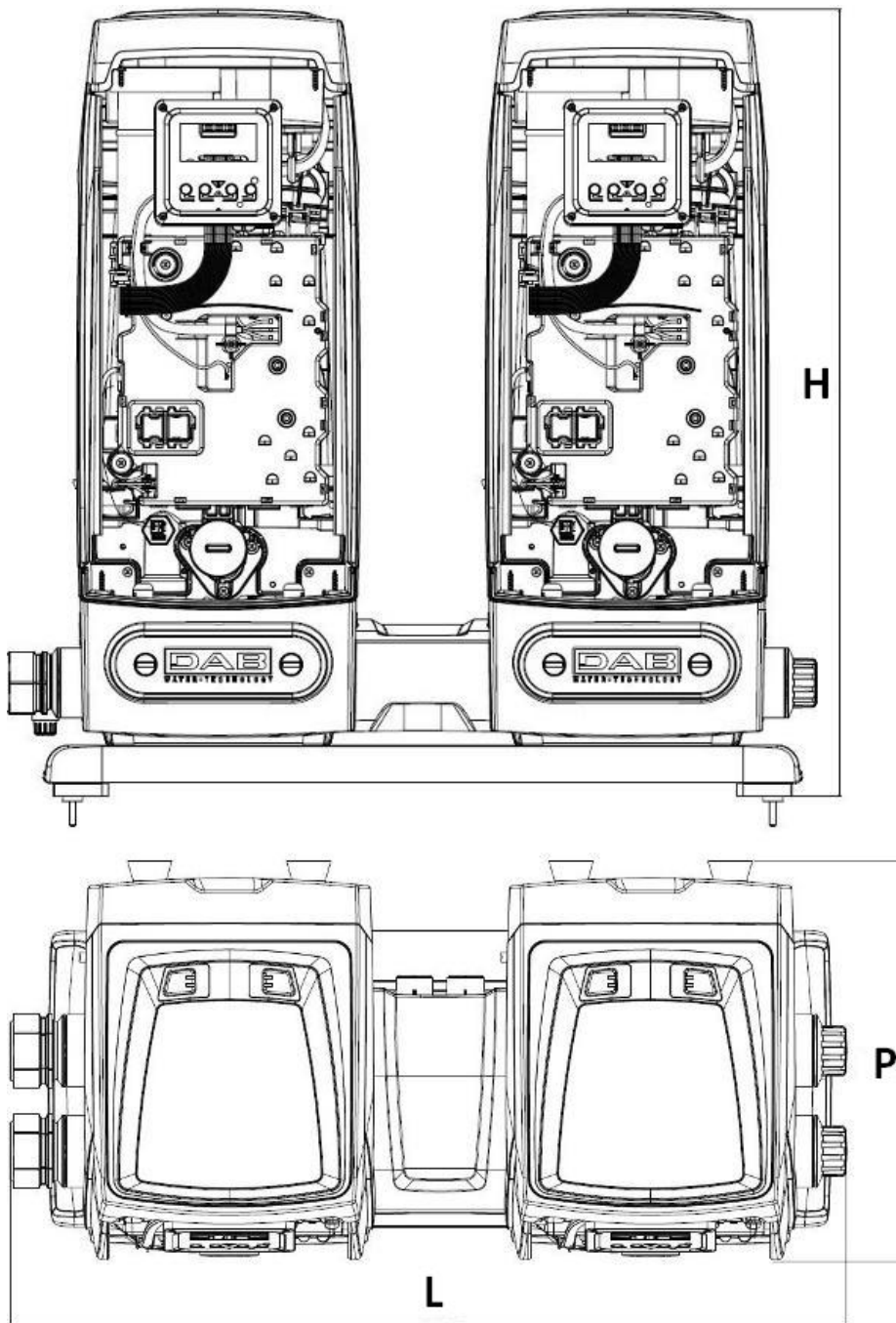
DAB PUMPS S.p.A.
Via Marco Polo, 14 - 35035 Mestrino (PD), Italy
Tel. +39 049 5125000 - Fax +39 049 5125950
www.dabpumps.com

Receiver

From

Company
Reference
Address
Phone
Fax
E-mail

KIT 2 ESYBOX + ESYTWIN



Dimensions in mm				Pump connection	
1	H	730			
2	L	752			Suction
3	P	358			1" 1/4 G
4					0,8 MPa
5					Discharge
6					1" 1/4 G
7					0,8 MPa
8					
9					
10					
11					
12					

MAIN_PROJECT_TITLE	BUSINESS_PROCESS_ID	OWNER	ISSUE_DATE 2023-03-17
--------------------	---------------------	-------	---------------------------------