

Receiver

From

Company
Reference
Address
Phone
Fax
E-mail

Item n° : 60179373
Customer pos. no.:

Model :
K 55/100 T IE3

Pump data

MEI ≥
Pressure rating : 1 MPa
Min. fluid temperature : -10 °C
Max. fluid temperature : 50 °C
Max. Ambient temperature : 40 °C

Requested data

Flow :
Head :
Fluid : Water
Fluid Temperature : 20 °C
Density : 998,3 kg/m³
Kinematic viscosity : 1,005 mm²/s
Vapor pressure : 0,00 MPa

Hydraulic data (duty point)

Flow :
Head :
NPSH :
Shaft power P2 :
Efficiency :

Materials

Pump body : Cast iron 200 UNI ISO 185
Support : Cast iron 200 UNI ISO 185
Impeller : Technopolymer A
Mechanical seal : Carbon/Ceramic
O-Ring : NBR Rubber
Shaft with rotor : AISI 303 X10 CrNiS 1809 UNI 6900/71
Intermediate cover : Cast iron 200 UNI ISO 185

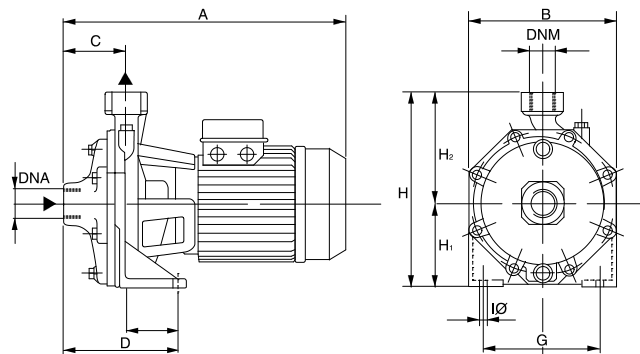
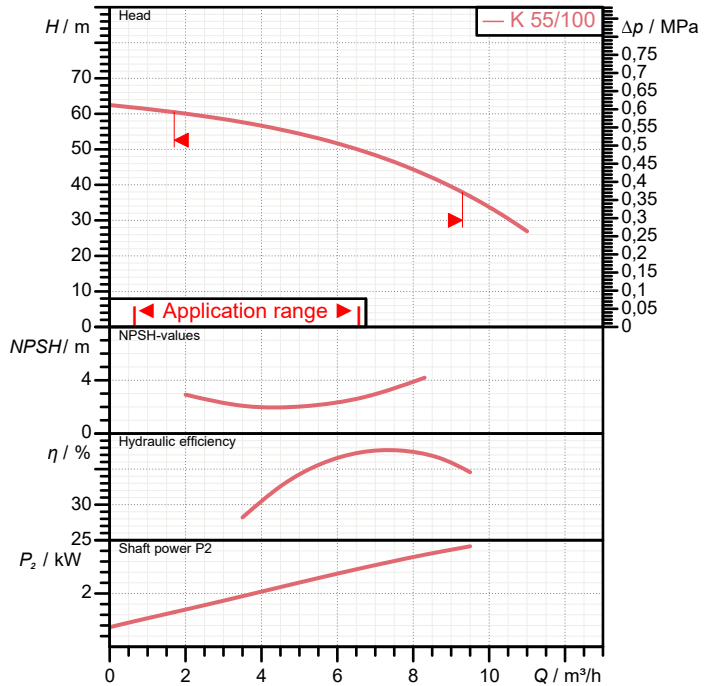
Motor data

Motor brand : DAB
Nominal power P2 : 2,2 kW
Rated speed : 2.850 1/min
Rated voltage : 3~ 230 V 50 Hz
Nominal current : 11,6 A
Degree of protection : IP 55

Pump connection

Suction side : 1" 1/2 G / 1 MPa
Discharge side : 1" G / 1 MPa

Curve tolerance according to ISO 9906



Weight : 38,1 kg

Dimensions in mm

| | |
|-----|---------|
| A | 450 |
| B | 256 |
| C | 88 |
| D | 160 |
| DNA | 1"1/2 G |
| DNM | 1" G |
| E | 72 |
| G | 200 |
| H | 312,5 |
| H1 | 140 |
| H2 | 172,5 |
| IØ | 14 |

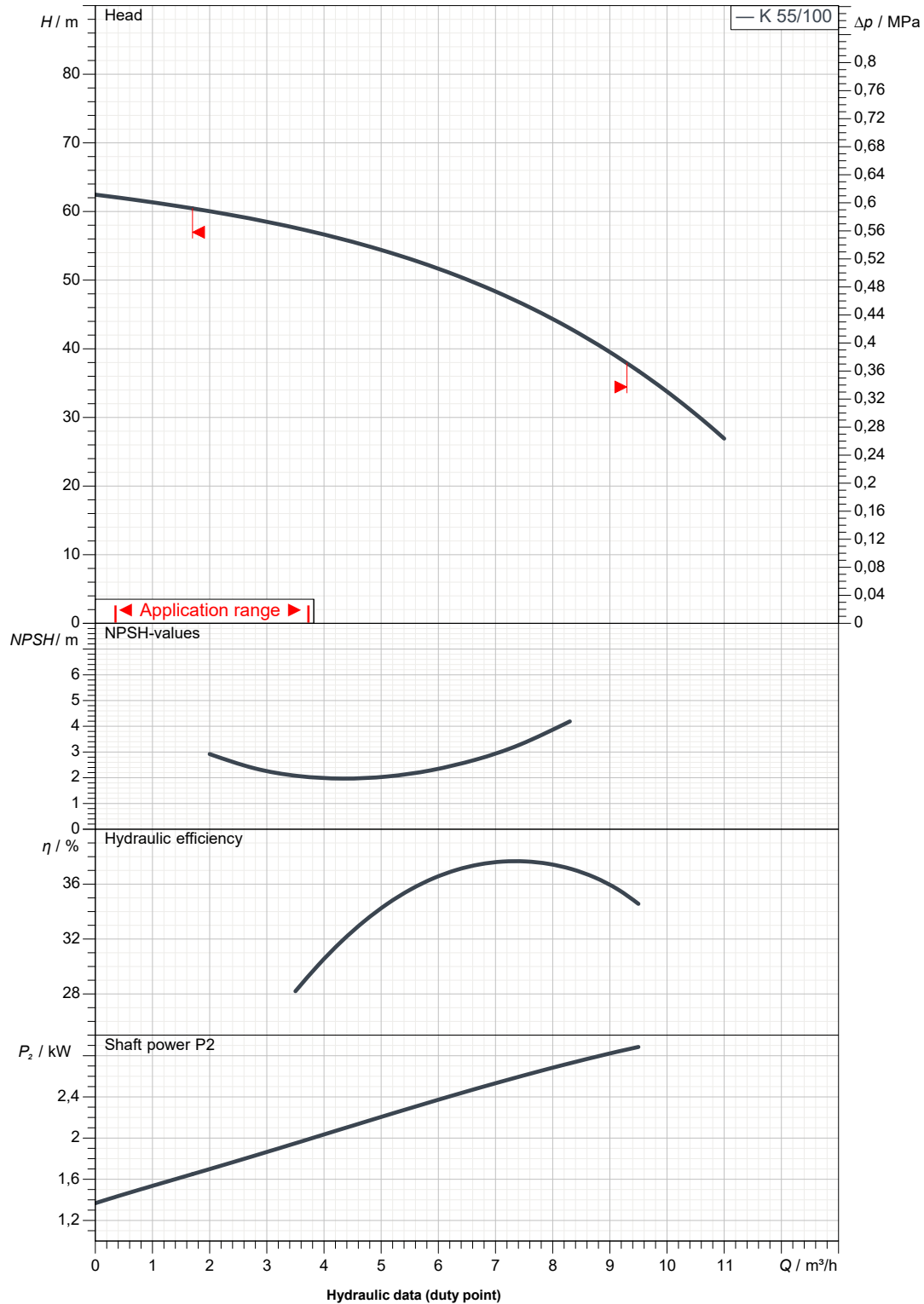
Receiver

From

 Company
 Reference
 Address
 Phone
 Fax
 E-mail

K 55/100 T IE3

Curve tolerance according to ISO 9906


 Suction side :
 1" 1/2 G
 1 MPa

 Discharge side :
 1" G
 1 MPa

Flow :

Head :

 Rated speed :
 2.850 1/min

MAIN_PROJECT_TITLE

BUSINESS_PROCESS_ID

OWNER_

 ISSUE_DATE
 2023-03-17



DIMENSIONAL DRAWING

2023-03-17

Page 3 / 3

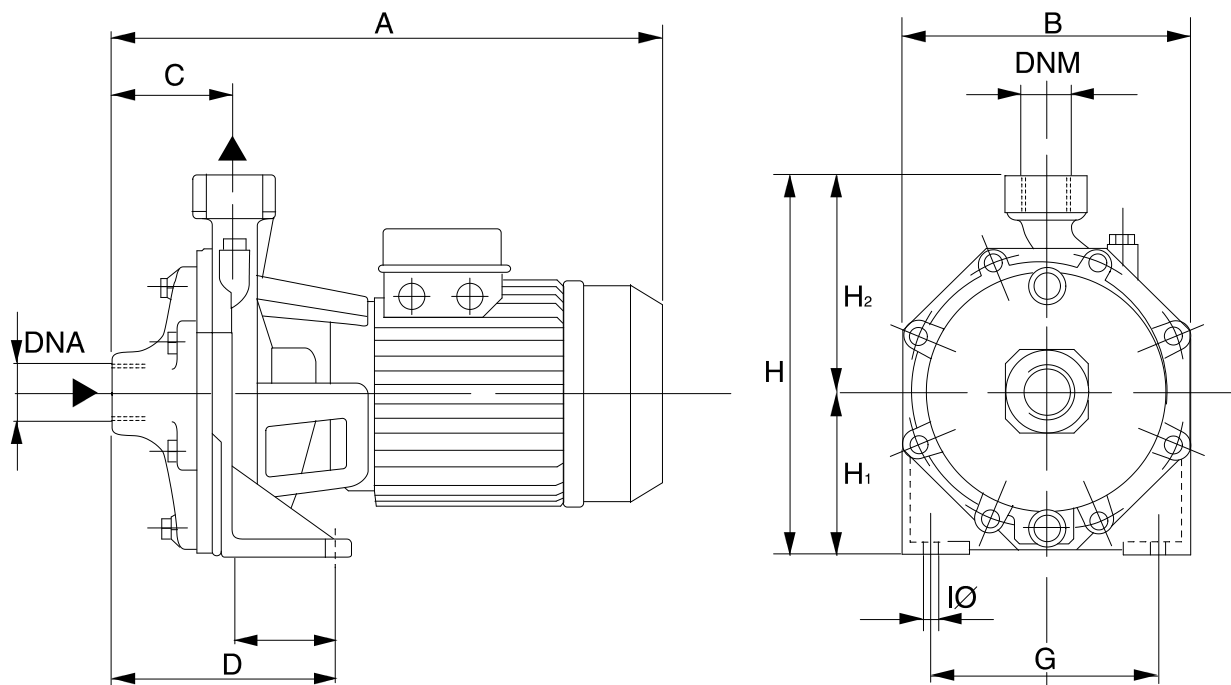
DAB PUMPS S.p.A.
Via Marco Polo, 14 - 35035 Mestrino (PD), Italy
Tel. +39 049 5125000 - Fax +39 049 5125950
www.dabpumps.com

Receiver

From

Company
Reference
Address
Phone
Fax
E-mail

K 55/100 T IE3



Dimensions in mm

Pump connection

| | | | | | | |
|----|-----|---------|---|----|--|-----------|
| 1 | A | 450 | Ø | 14 | | |
| 2 | B | 256 | | | | Suction |
| 3 | C | 88 | | | | 1" 1/2 G |
| 4 | D | 160 | | | | 1 MPa |
| 5 | DNA | 1"1/2 G | | | | |
| 6 | DNM | 1" G | | | | Discharge |
| 7 | E | 72 | | | | 1" G |
| 8 | G | 200 | | | | 1 MPa |
| 9 | H | 312,5 | | | | |
| 10 | H1 | 140 | | | | |
| 11 | H2 | 172,5 | | | | |

MAIN_PROJECT_TITLE

BUSINESS_PROCESS_ID

OWNER

ISSUE_DATE

2023-03-17