

Receiver

From

Company
Reference
Address
Phone
Fax
E-mail

Item n° : 60179375
Customer pos. no.:

Model :
K 36/200 T IE3

Pump data

MEI \geq 0,70
Pressure rating : 0,8 MPa
Min. fluid temperature : -10 °C
Max. fluid temperature : 50 °C
Max. Ambient temperature : 40 °C

Requested data

Flow :
Head :
Fluid : Water
Fluid Temperature : 20 °C
Density : 998,3 kg/m³
Kinematic viscosity : 1,005 mm²/s
Vapor pressure : 0,00 MPa

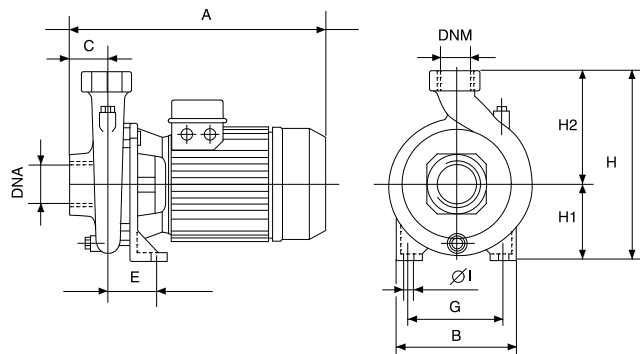
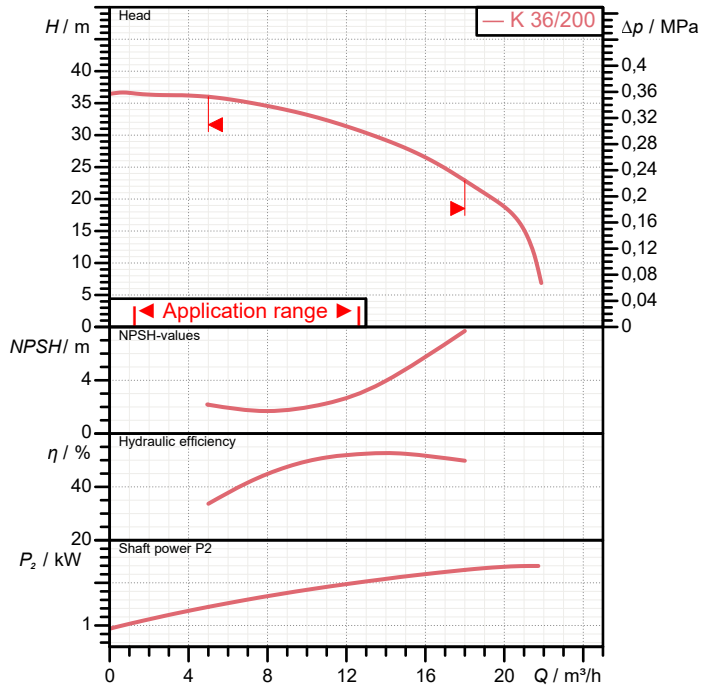
Hydraulic data (duty point)

Flow :
Head :
NPSH :
Shaft power P₂ :
Efficiency :

Materials

Pump body : Cast iron 200 UNI ISO 185
Support : Cast iron 200 UNI ISO 185
Impeller : Technopolymer A
Mechanical seal : Carbon/Ceramic
O-Ring : EPDM Rubber
Shaft with rotor : AISI 303 X10 CrNiS 1809 UNI 6900/71

Curve tolerance according to ISO 9906



Weight : 33,1 kg

Motor data

Motor brand : DAB
Nominal power P₂ : 2,2 kW
Rated speed : 2.860 1/min
Rated voltage : 3~ 230 V 50 Hz
Nominal current : 9 A
Degree of protection : IP 55

Dimensions in mm

A	425
B	250
C	55
DNA	2" G
DNM	1" 1/4 G
E	86
G	175
H	320
H1	135
H2	185
IØ	14

Pump connection

Suction side : 2" G / 0,8 MPa
Discharge side : 1" 1/4 G / 0,8 MPa

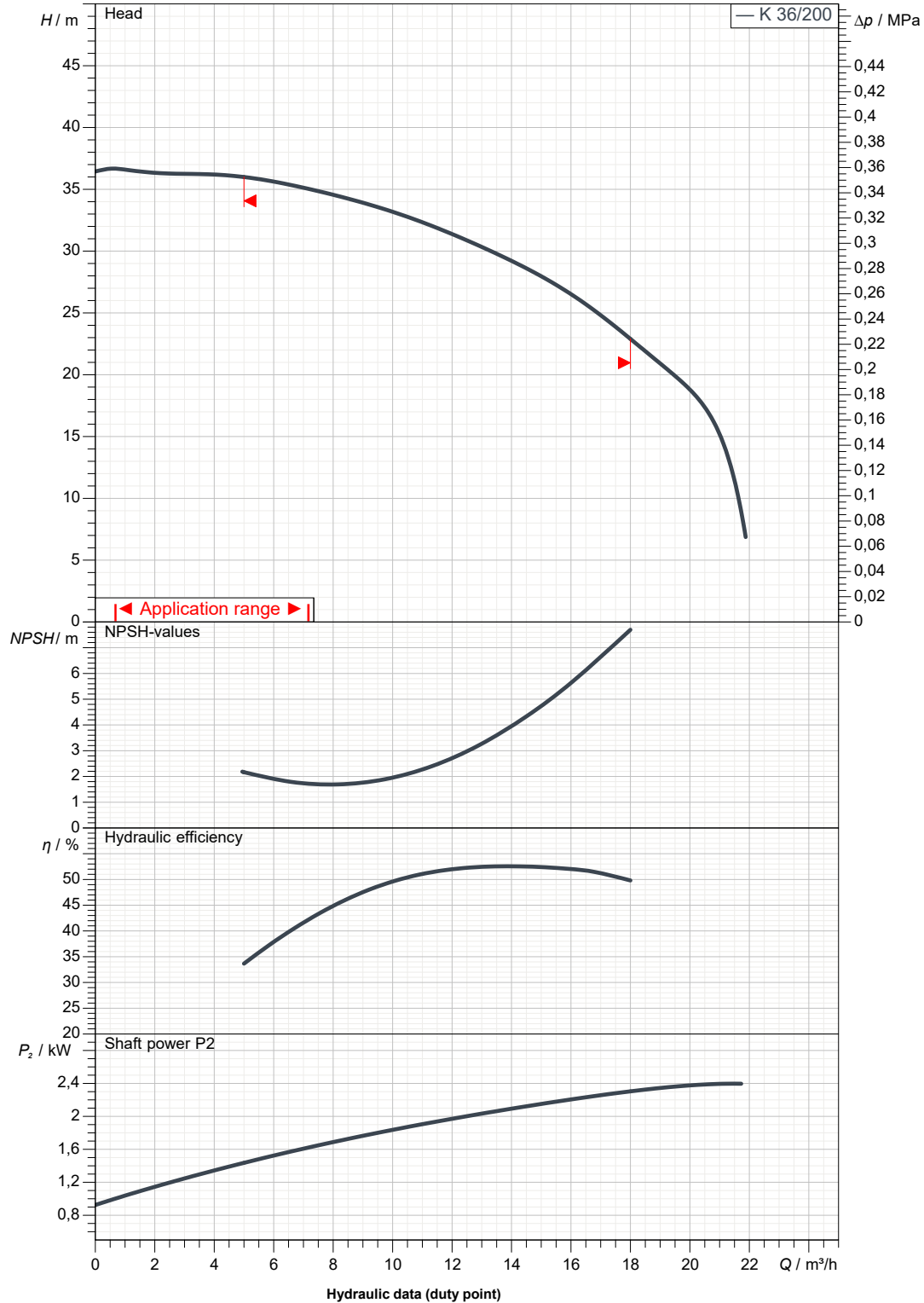
Receiver

From

 Company
 Reference
 Address
 Phone
 Fax
 E-mail

K 36/200 T IE3

Curve tolerance according to ISO 9906


 Suction side :
 2" G
 0,8 MPa

 Discharge side :
 1" 1/4 G
 0,8 MPa

Flow :

Head :

 Rated speed :
 2.860 1/min

MAIN_PROJECT_TITLE

BUSINESS_PROCESS_ID

OWNER_

ISSUE_DATE

2023-03-17



DIMENSIONAL DRAWING

2023-03-17

Page 3 / 3

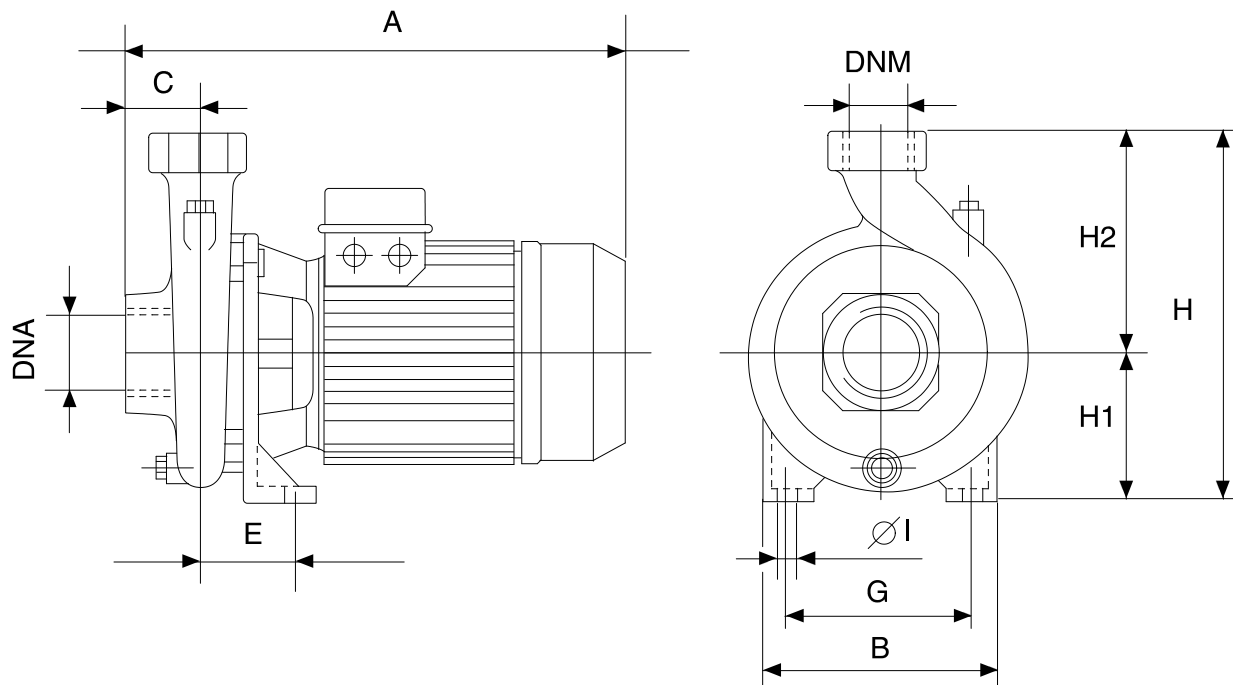
DAB PUMPS S.p.A.
Via Marco Polo, 14 - 35035 Mestrino (PD), Italy
Tel. +39 049 5125000 - Fax +39 049 5125950
www.dabpumps.com

Receiver

From

Company
Reference
Address
Phone
Fax
E-mail

K 36/200 T IE3



Dimensions in mm

Pump connection

1	A	425					
2	B	250					Suction
3	C	55					2" G
4	DNA	2" G					0,8 MPa
5	DNM	1" 1/4 G					
6	E	86					Discharge
7	G	175					1" 1/4 G
8	H	320					0,8 MPa
9	H1	135					
10	H2	185					
11	Ø	14					

MAIN_PROJECT_TITLE

BUSINESS_PROCESS_ID

OWNER

ISSUE_DATE

2023-03-17