

### Receiver

### From

Company  
Reference  
Address  
Phone  
Fax  
E-mail

**Item n° :** 60179407  
**Customer pos. no.:**

**Model :**  
K 30/70 T IE3

#### Pump data

MEI ≥ -  
Pressure rating : 0,6 MPa  
Min. fluid temperature : -10 °C  
Max. fluid temperature : 50 °C  
Max. Ambient temperature : 40 °C

#### Requested data

Flow :  
Head :  
Fluid : Water  
Fluid Temperature : 20 °C  
Density : 998,3 kg/m<sup>3</sup>  
Kinematic viscosity : 1,005 mm<sup>2</sup>/s  
Vapor pressure : 0,00 MPa

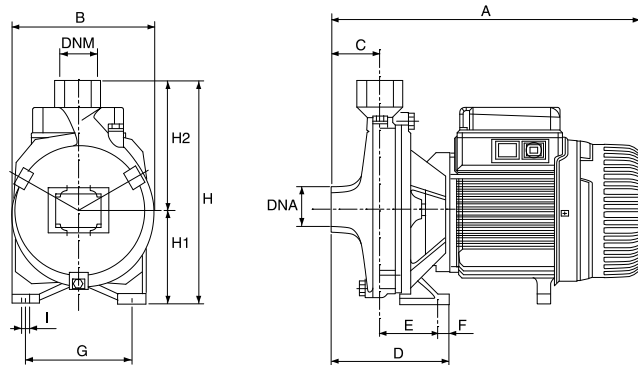
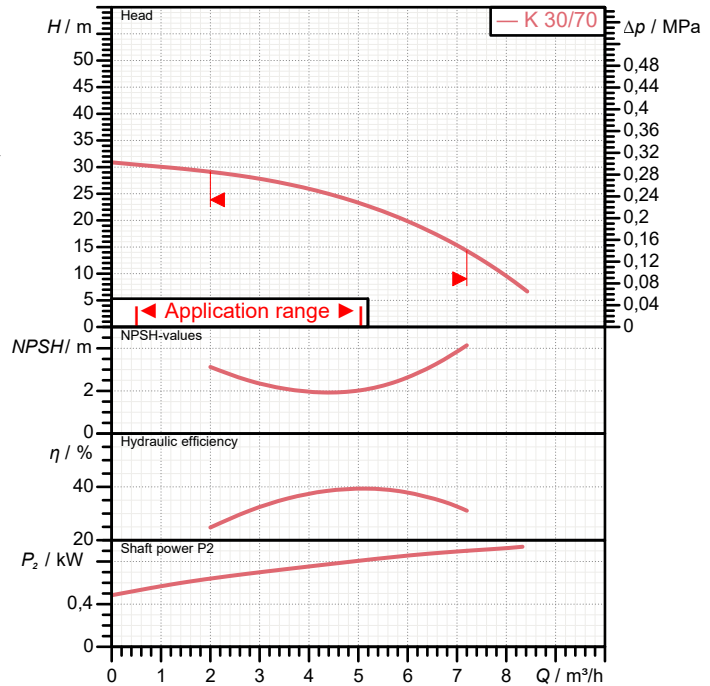
#### Hydraulic data (duty point)

Flow :  
Head :  
NPSH :  
Shaft power P<sub>2</sub> :  
Efficiency :

#### Materials

Pump body : Cast iron 200 UNI ISO 185  
Support : Cast iron 200 UNI ISO 185  
Impeller : Technopolymer A  
Mechanical seal : Carbon/Ceramic  
O-Ring : NBR Rubber  
Shaft with rotor : AISI 416 X12 CrS 13 UNI 6900/71

#### Curve tolerance according to ISO 9906



**Weight :** 13,9 kg

#### Motor data

Motor brand : DAB  
Nominal power P<sub>2</sub> : 0,75 kW  
Rated speed : 2.820 1/min  
Rated voltage : 3~ 230 V 50 Hz  
Nominal current : 4 A  
Degree of protection : IP 44

#### Dimensions in mm

A	330
B	185
C	50
D	108
DNA	1" G-M
DNM	1" G-M
E	58
F	15
G	140
H	235
H1	100
H2	135
I	9

#### Pump connection

Suction side : 1" G-M / 0,6 MPa  
Discharge side : 1" G-M / 0,6 MPa



WATER • TECHNOLOGY

# PERFORMANCE CURVES

2023-03-17

Page 2 / 3

DAB PUMPS S.p.A.  
Via Marco Polo, 14 - 35035 Mestrino (PD), Italy  
Tel. +39 049 5125000 - Fax +39 049 5125950  
www.dabpumps.com

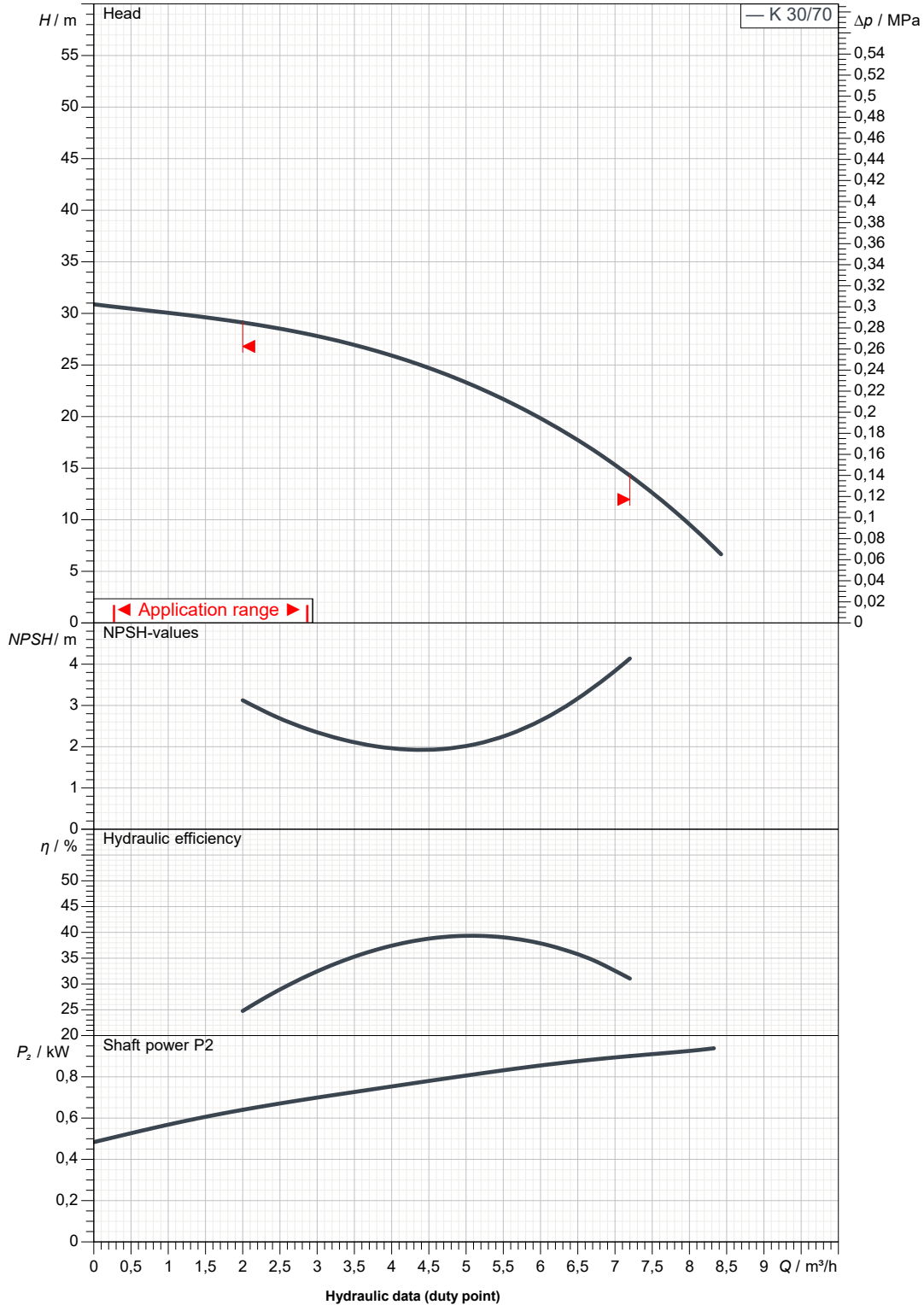
Receiver

From

Company  
Reference  
Address  
Phone  
Fax  
E-mail

## K 30/70 T IE3

Curve tolerance according to ISO 9906



Suction side :  
1" G-M  
0,6 MPa

Discharge side :  
1" G-M  
0,6 MPa

Flow :

Head :

Rated speed :  
2.820 1/min

MAIN\_PROJECT\_TITLE

BUSINESS\_PROCESS\_ID

OWNER\_

ISSUE\_DATE  
2023-03-17



# DIMENSIONAL DRAWING

2023-03-17

Page 3 / 3

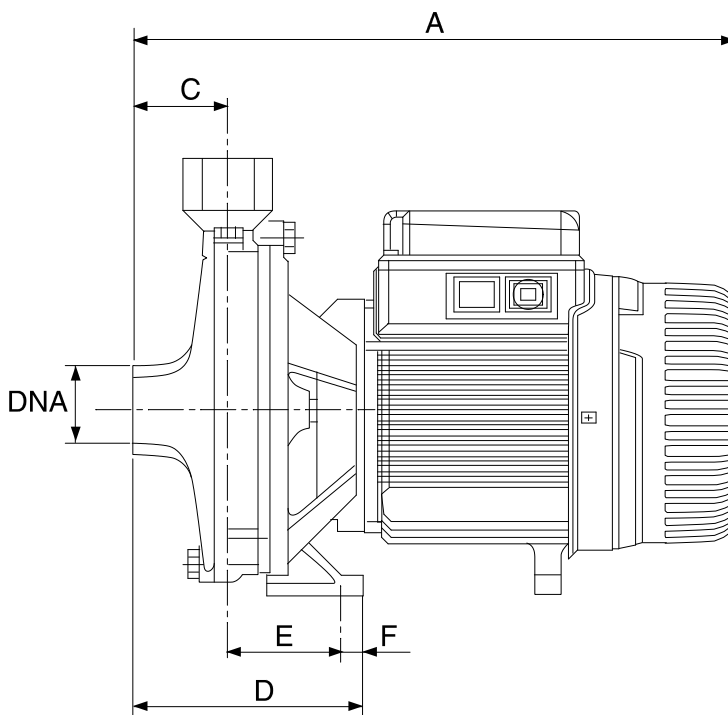
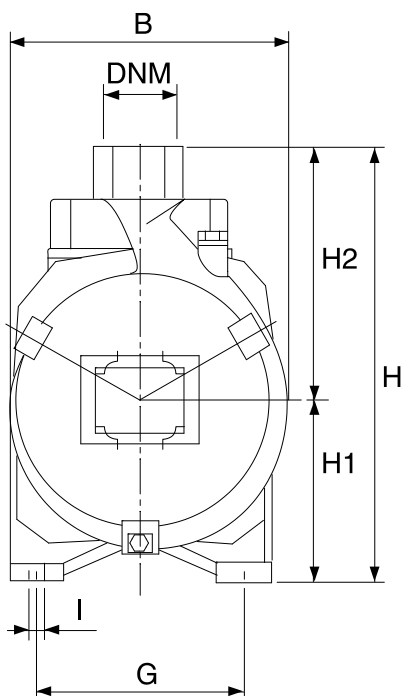
DAB PUMPS S.p.A.  
Via Marco Polo, 14 - 35035 Mestrino (PD), Italy  
Tel. +39 049 5125000 - Fax +39 049 5125950  
www.dabpumps.com

Receiver

From

Company  
Reference  
Address  
Phone  
Fax  
E-mail

## K 30/70 T IE3



**Dimensions in mm**

**Pump connection**

1	A	330	H2	135	Suction 1" G-M 0,6 MPa  Discharge 1" G-M 0,6 MPa
2	B	185	I	9	
3	C	50			
4	D	108			
5	DNA	1" G-M			
6	DNM	1" G-M			
7	E	58			
8	F	15			
9	G	140			
10	H	235			
11	H1	100			

MAIN\_PROJECT\_TITLE

BUSINESS\_PROCESS\_ID

OWNER

ISSUE\_DATE

2023-03-17