

Receiver
From

 Company
 Reference
 Address
 Phone
 Fax
 E-mail

Item n° :

60179418

Customer pos. no.:
Model :

EUROINOX 40/80 T IE3

Pump data

 Pressure rating : 0,8 MPa
 Min. fluid temperature : 0 °C
 Max. fluid temperature : 35 °C
 Max. Ambient temperature : 40 °C

Requested data

 Flow :
 Head :
 Fluid : Water
 Fluid Temperature : 20 °C
 Density : 998,3 kg/m³
 Kinematic viscosity : 1,005 mm²/s
 Vapor pressure : 0,00 MPa

Hydraulic data (duty point)

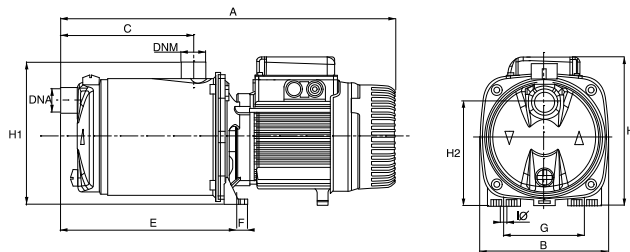
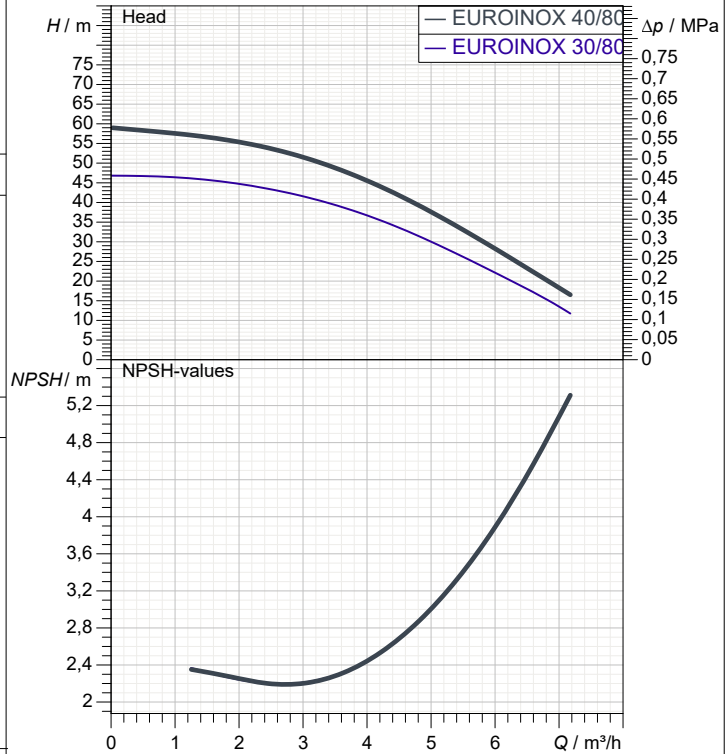
 Flow :
 Head :

Materials

 Pump body : AISI 304 X5 Cr Ni 1810 UNI 6900/71
 Impeller : Technopolymer
 Shaft with rotor : AISI 304 X5 Cr Ni 1810 UNI 6900/71
 O-Ring : NBR
 Diffuser : Technopolymer
 Mechanical seal : Carbon/Ceramic
 Disc seal : AISI 304 X5 Cr Ni 1810 UNI 6900/71

Motor data

 Motor brand : DAB
 Nominal power P2 : 1 kW
 Rated speed : 2.800 1/min
 Rated voltage : 3~ 230 V 50 Hz
 Nominal current : 4,4 A
 Degree of protection : IP 44

Curve tolerance according to ISO 9906

Weight : 15,5 kg

Dimensions in mm

A	474	DNM	1" G	H	203		
B	174	E	241	H1	196		
C	166	F	13,5	H2	143		
DNA	1" G	G	111	I Ø	9		

Pump connection

 Suction side : 1" G / 0,8 MPa
 Discharge side : 1" G / 0,8 MPa



PERFORMANCE CURVES

2023-03-17

Page 2 / 3

DAB PUMPS S.p.A.
Via Marco Polo, 14 - 35035 Mestrino (PD), Italy
Tel. +39 049 5125000 - Fax +39 049 5125950
www.dabpumps.com

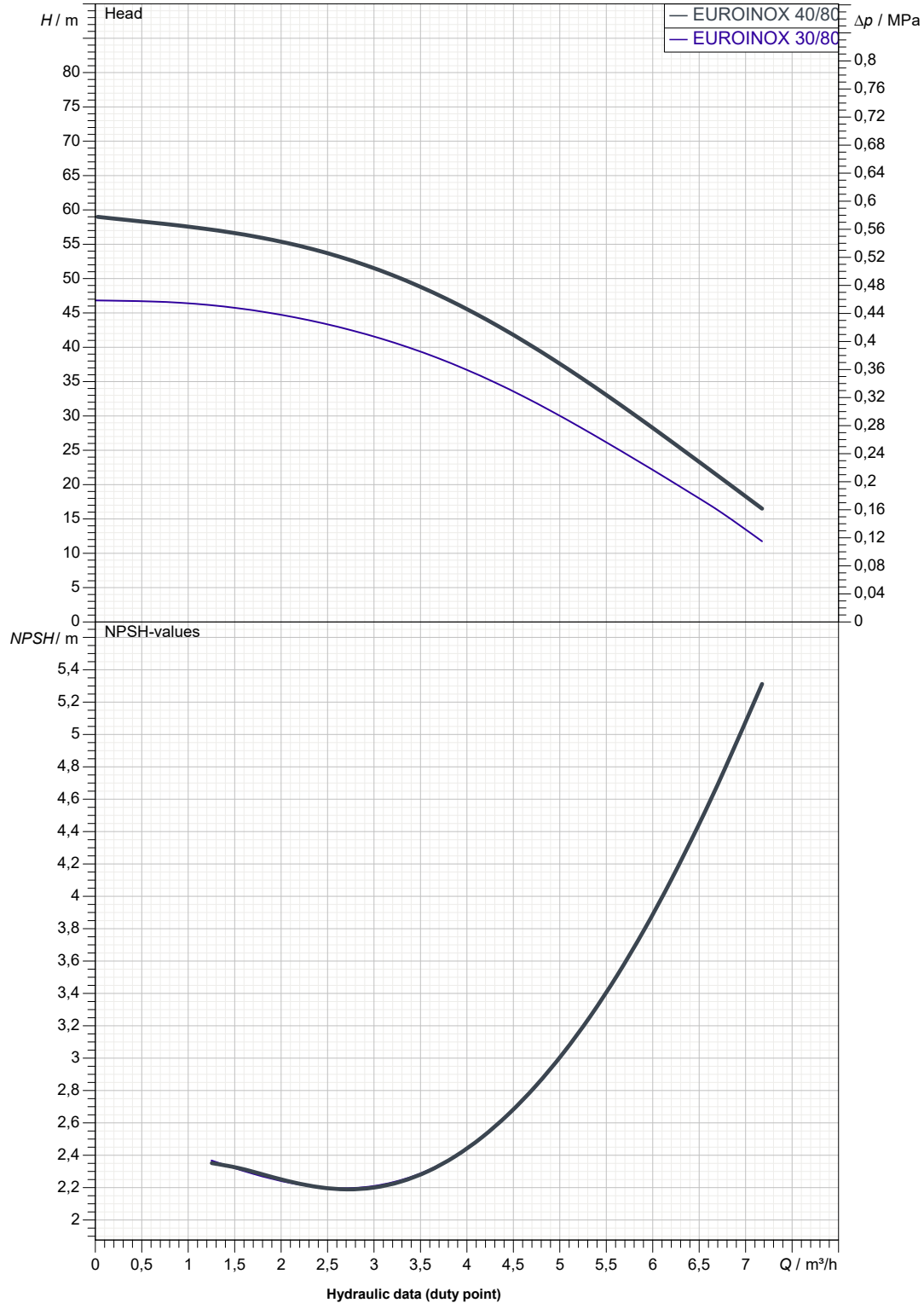
Receiver

From

Company
Reference
Address
Phone
Fax
E-mail

EUROINOX 40/80 T IE3

Curve tolerance according to ISO 9906



Suction side :
1" G
0,8 MPa

Discharge side :
1" G
0,8 MPa

Flow :

Head :

Rated speed :
2.800 1/min

MAIN_PROJECT_TITLE

BUSINESS_PROCESS_ID

OWNER_

ISSUE_DATE
2023-03-17



DIMENSIONAL DRAWING

2023-03-17

Page 3 / 3

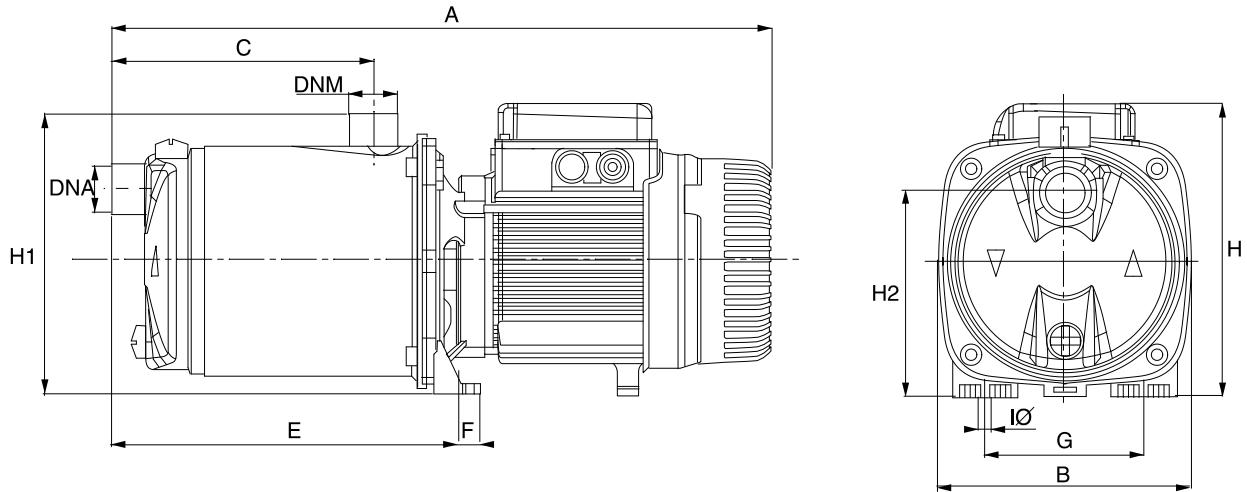
DAB PUMPS S.p.A.
Via Marco Polo, 14 - 35035 Mestrino (PD), Italy
Tel. +39 049 5125000 - Fax +39 049 5125950
www.dabpumps.com

Receiver

From

Company
Reference
Address
Phone
Fax
E-mail

EUROINOX 40/80 T IE3



Dimensions in mm						Pump connection
1	A	474	1 Ø	9		Suction
2	B	174				1" G
3	C	166				0,8 MPa
4	DNA	1" G				
5	DNM	1" G				Discharge
6	E	241				1" G
7	F	13,5				0,8 MPa
8	G	111				
9	H	203				
10	H1	196				
11	H2	143				

MAIN_PROJECT_TITLE	BUSINESS_PROCESS_ID	OWNER	ISSUE_DATE 2023-03-17
--------------------	---------------------	-------	---------------------------------