

Receiver
From

 Company
 Reference
 Address
 Phone
 Fax
 E-mail

Item n° : 60179852
Customer pos. no.:
Model :
 K 55/50 T IE3

Pump data

MEI ≥

 Pressure rating : 0,8 MPa
 Min. fluid temperature : -15 °C
 Max. fluid temperature : 110 °C
 Max. Ambient temperature : 40 °C

Requested data

 Flow :
 Head :
 Fluid : Water
 Fluid Temperature : 20 °C
 Density : 998,3 kg/m³
 Kinematic viscosity : 1,005 mm²/s
 Vapor pressure : 0,00 MPa

Hydraulic data (duty point)

 Flow :
 Head :
 NPSH :
 Shaft power P₂ :
 Efficiency :

Materials

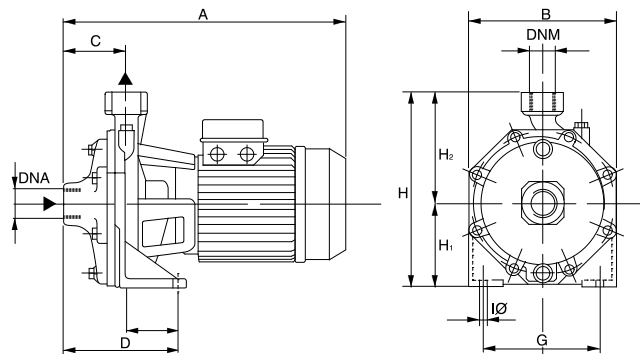
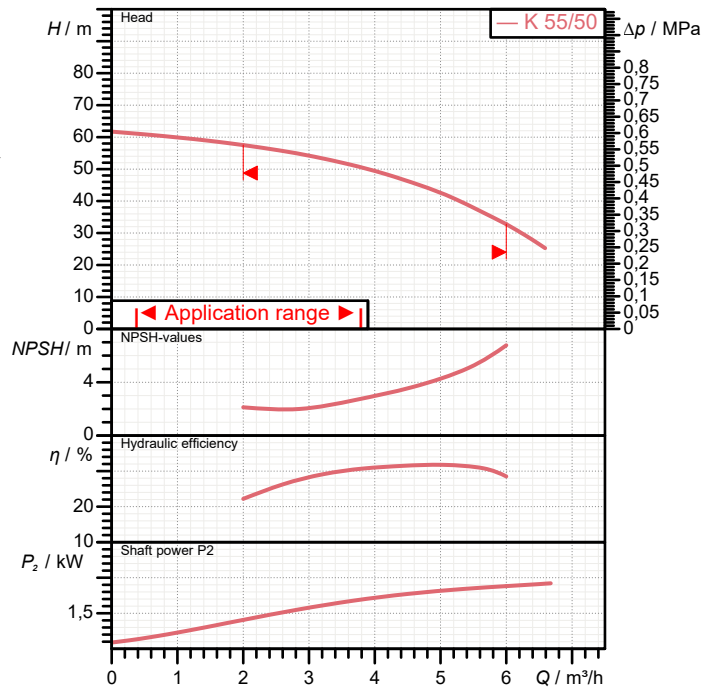
 Pump body : Cast iron 200 UNI ISO 185
 Support : Cast iron 200 UNI ISO 185
 Impeller : Technopolymer B
 Mechanical seal : Carbon/Ceramic
 O-Ring : NBR Rubber
 Shaft with rotor : AISI 303 X10 CrNiS 1809 UNI 6900/71
 Intermediate cover : Cast iron 200 UNI ISO 185

Motor data

 Motor brand : DAB
 Nominal power P₂ : 1,85 kW
 Rated speed : 2.850 1/min
 Rated voltage : 3~ 230 V 50 Hz
 Nominal current : 8,4 A
 Degree of protection : IP 44

Pump connection

 Suction side : 1" 1/4 G / 0,8 MPa
 Discharge side : 1" G / 0,8 MPa

Curve tolerance according to ISO 9906

Weight : 27,2 kg

Dimensions in mm

A	370
B	210
C	75
D	144
DNA	1"1/4 G
DNM	1" G
E	69
F	15
G	165
H	268
H ₁	118
H ₂	150
IØ	11,5



PERFORMANCE CURVES

2023-03-17

Page 2 / 3

DAB PUMPS S.p.A.
Via Marco Polo, 14 - 35035 Mestrino (PD), Italy
Tel. +39 049 5125000 - Fax +39 049 5125950
www.dabpumps.com

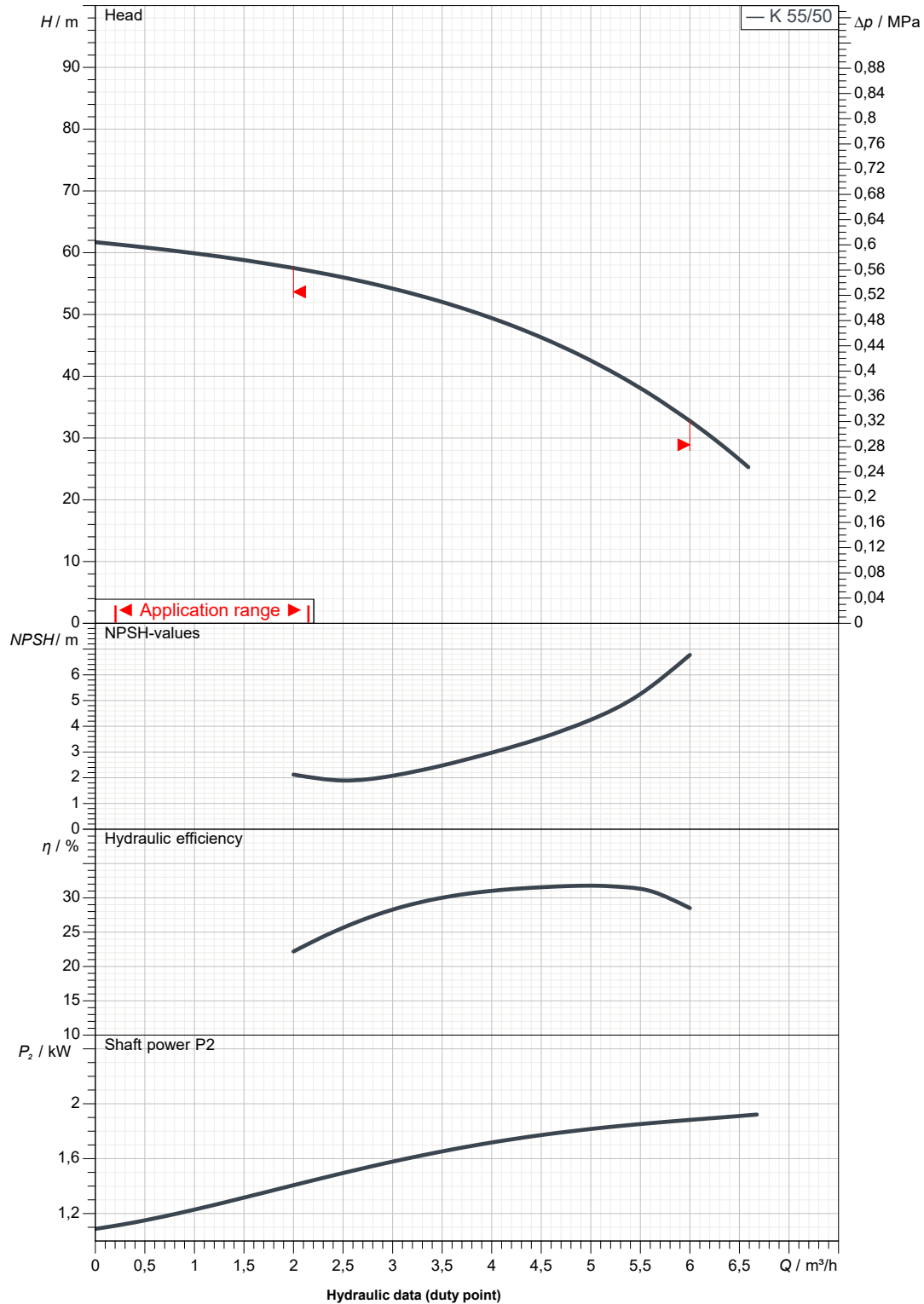
Receiver

From

Company
Reference
Address
Phone
Fax
E-mail

K 55/50 T IE3

Curve tolerance according to ISO 9906



Suction side :
1" 1/4 G
0,8 MPa

Discharge side :
1" G
0,8 MPa

Flow :

Head :

Rated speed :
2.850 1/min

MAIN_PROJECT_TITLE

BUSINESS_PROCESS_ID

OWNER_

ISSUE_DATE

2023-03-17



DIMENSIONAL DRAWING

2023-03-17

Page 3 / 3

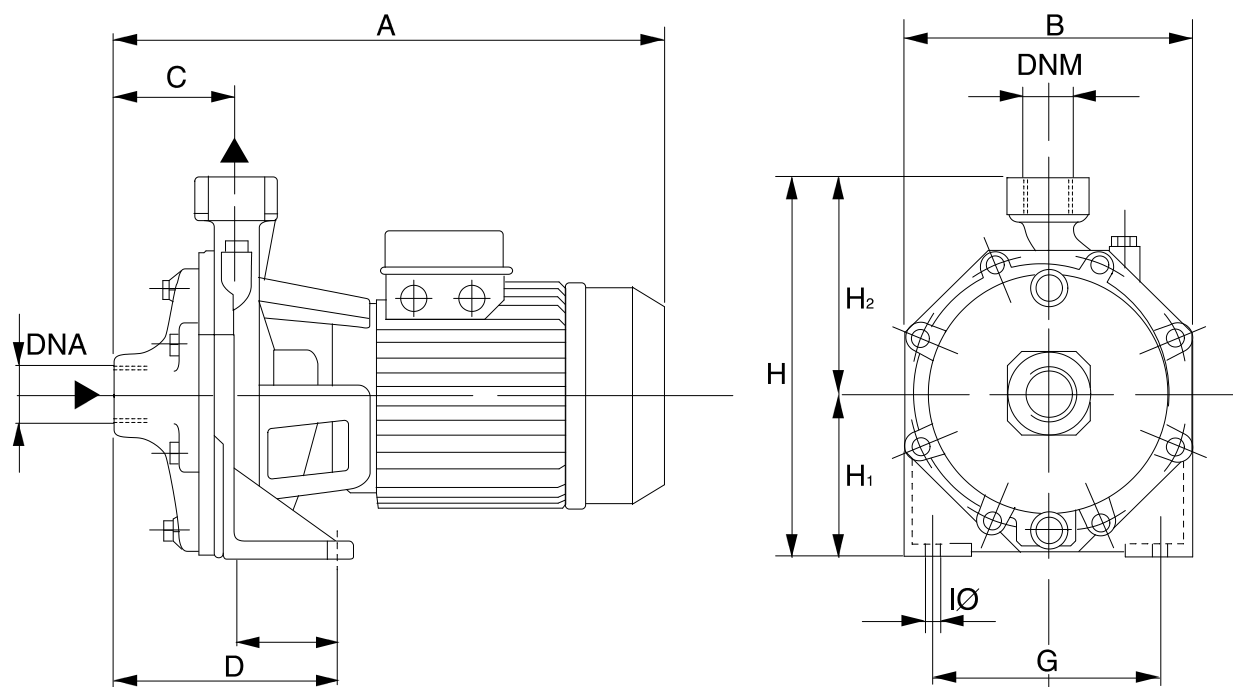
DAB PUMPS S.p.A.
Via Marco Polo, 14 - 35035 Mestrino (PD), Italy
Tel. +39 049 5125000 - Fax +39 049 5125950
www.dabpumps.com

Receiver

From

Company
Reference
Address
Phone
Fax
E-mail

K 55/50 T IE3



Dimensions in mm

Pump connection

1	A	370	H ₂	150	Suction 1" 1/4 G 0,8 MPa Discharge 1" G 0,8 MPa
2	B	210	Ø	11,5	
3	C	75			
4	D	144			
5	DNA	1"1/4 G			
6	DNM	1" G			
7	E	69			
8	F	15			
9	G	165			
10	H	268			
11	H ₁	118			

MAIN_PROJECT_TITLE

BUSINESS_PROCESS_ID

OWNER

ISSUE_DATE

2023-03-17