

Receiver

From

Company
Reference
Address
Phone
Fax
E-mail

Item n° : 60179855
Customer pos. no.:

Model :
K 14/400 T IE3

Pump data

MEI $\geq 0,40$
Pressure rating : 0,6 MPa
Min. fluid temperature : -15 °C
Max. fluid temperature : 110 °C
Max. Ambient temperature : 40 °C

Requested data

Flow :
Head :
Fluid : Water
Fluid Temperature : 20 °C
Density : 998,3 kg/m³
Kinematic viscosity : 1,005 mm²/s
Vapor pressure : 0,00 MPa

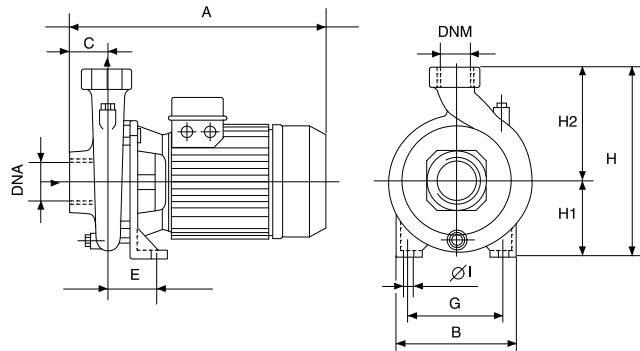
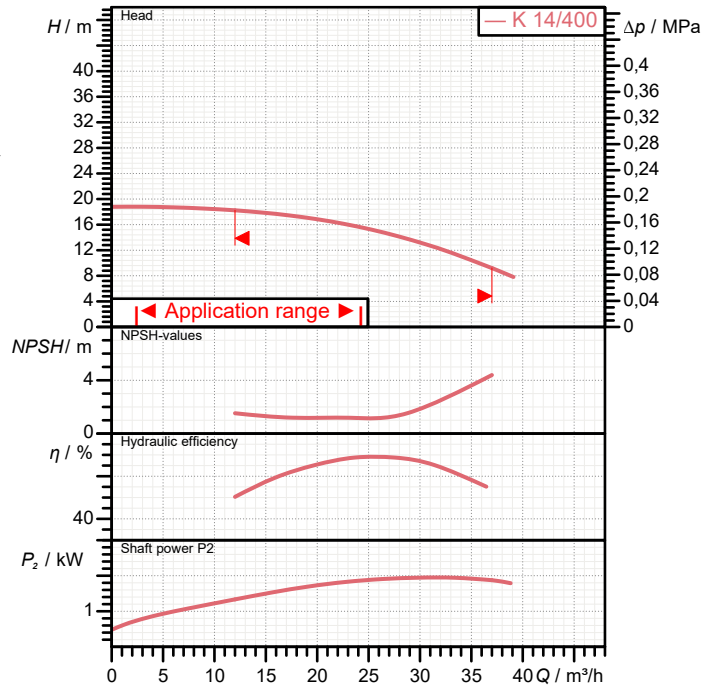
Hydraulic data (duty point)

Flow :
Head :
NPSH :
Shaft power P₂ :
Efficiency :

Materials

Pump body : Cast iron 200 UNI ISO 185
Support : Cast iron 200 UNI ISO 185
Impeller : Cast iron 200 UNI ISO 185
Mechanical seal : Carbon/Ceramic
O-Ring : EPDM Rubber
Shaft with rotor : AISI 303 X10 CrNiS 1809 UNI 6900/71

Curve tolerance according to ISO 9906



Weight : 22 kg

Motor data

Motor brand : DAB
Nominal power P₂ : 1,85 kW
Rated speed : 2.850 1/min
Rated voltage : 3~ 230 V 50 Hz
Nominal current : 7 A
Degree of protection : IP 44

Dimensions in mm

A	358
B	200
C	62
DNA	2" G
DNM	2" G
E	74
G	120
H	270
H1	105
H2	165
IØ	11

Pump connection

Suction side : 2" G / 0,6 MPa
Discharge side : 2" G / 0,6 MPa

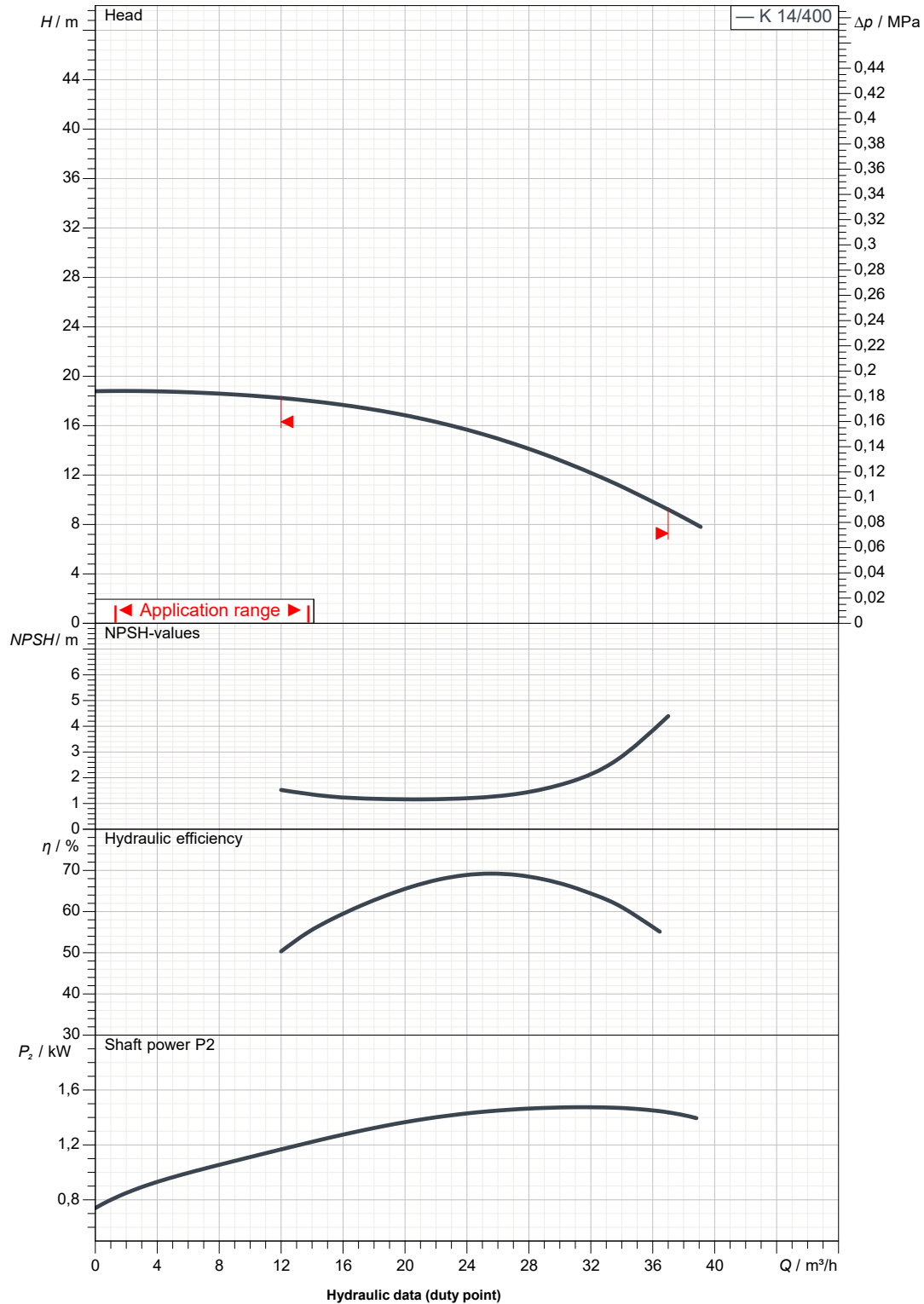
Receiver

From

 Company
 Reference
 Address
 Phone
 Fax
 E-mail

K 14/400 T IE3

Curve tolerance according to ISO 9906


 Suction side :
 2" G
 0,6 MPa

 Discharge side :
 2" G
 0,6 MPa

Flow :

Head :

 Rated speed :
 2.850 1/min

MAIN_PROJECT_TITLE

BUSINESS_PROCESS_ID

OWNER_

ISSUE_DATE

2023-03-17



DIMENSIONAL DRAWING

2023-03-17

Page 3 / 3

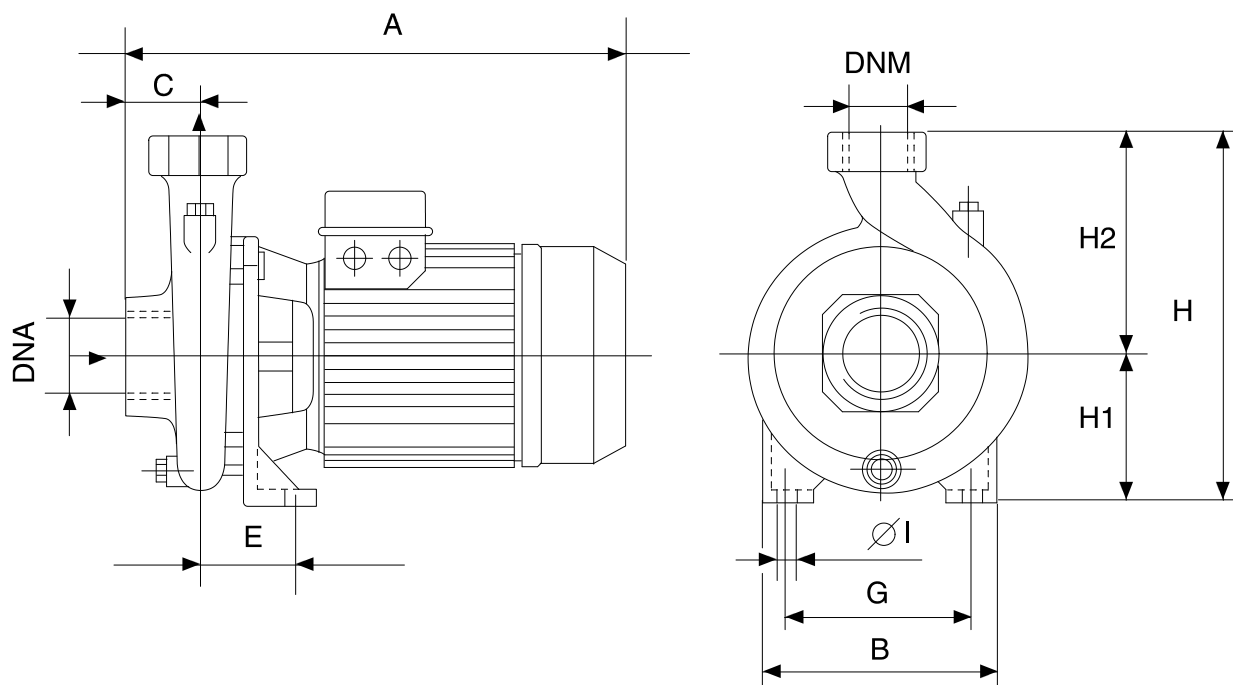
DAB PUMPS S.p.A.
Via Marco Polo, 14 - 35035 Mestrino (PD), Italy
Tel. +39 049 5125000 - Fax +39 049 5125950
www.dabpumps.com

Receiver

From

Company
Reference
Address
Phone
Fax
E-mail

K 14/400 T IE3



Dimensions in mm

Pump connection

1	A	358							
2	B	200							Suction
3	C	62							2" G
4	DNa	2" G							0,6 MPa
5	DNM	2" G							
6	E	74							
7	G	120							Discharge
8	H	270							2" G
9	H1	105							0,6 MPa
10	H2	165							
11	I	11							

MAIN_PROJECT_TITLE

BUSINESS_PROCESS_ID

OWNER

ISSUE_DATE

2023-03-17