

Receiver
From

 Company
 Reference
 Address
 Phone
 Fax
 E-mail

Item n° :
 60179857

Customer pos. no.:
Model :
 K 66/100 T IE3

Pump data

MEI ≥

 Pressure rating : 1 MPa
 Min. fluid temperature : -15 °C
 Max. fluid temperature : 110 °C
 Max. Ambient temperature : 40 °C

Requested data

 Flow :
 Head :
 Fluid : Water
 Fluid Temperature : 20 °C
 Density : 998,3 kg/m³
 Kinematic viscosity : 1,005 mm²/s
 Vapor pressure : 0,00 MPa

Hydraulic data (duty point)

 Flow :
 Head :
 NPSH :
 Shaft power P₂ :
 Efficiency :

Materials

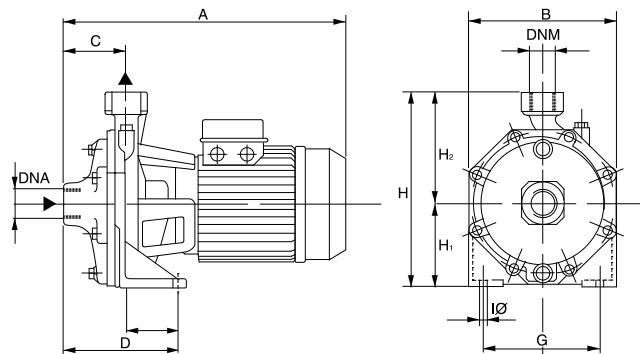
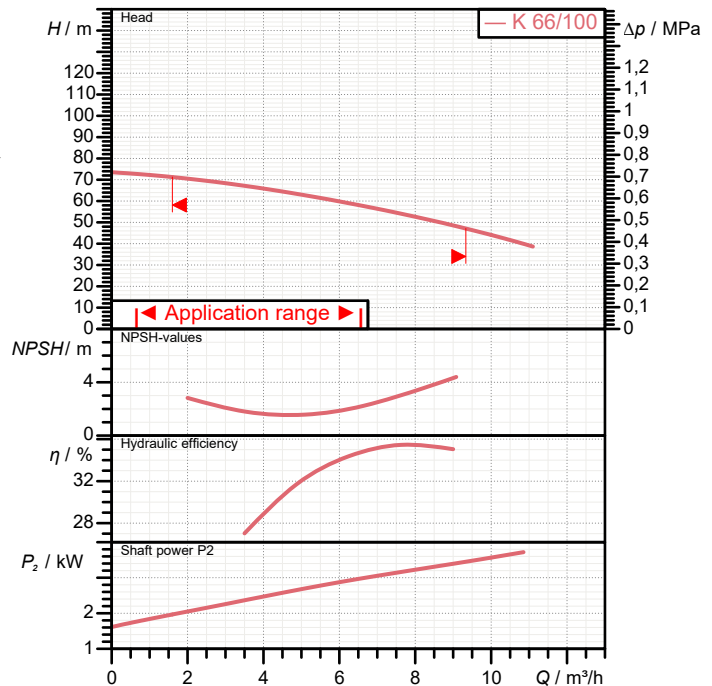
 Pump body : Cast iron 200 UNI ISO 185
 Support : Cast iron 200 UNI ISO 185
 Impeller : Technopolymer B
 Mechanical seal : Carbon/Ceramic
 O-Ring : Guarnital
 Shaft with rotor : AISI 303 X10 CrNiS 1809 UNI 6900/71
 Intermediate cover : Cast iron 200 UNI ISO 185

Motor data

 Motor brand : DAB
 Nominal power P₂ : 3 kW
 Rated speed : 2.850 1/min
 Rated voltage : 3~ 230 V 50 Hz
 Nominal current : 14,6 A
 Degree of protection : IP 55

Pump connection

 Suction side : 1" 1/2 G / 1 MPa
 Discharge side : 1" G / 1 MPa

Curve tolerance according to ISO 9906

Weight : 40,7 kg

Dimensions in mm

A	450
B	256
C	88
D	160
DNA	1"1/2 G
DNM	1" G
E	72
F	18
G	200
H	312,5
H1	140
H2	172,5
IØ	14

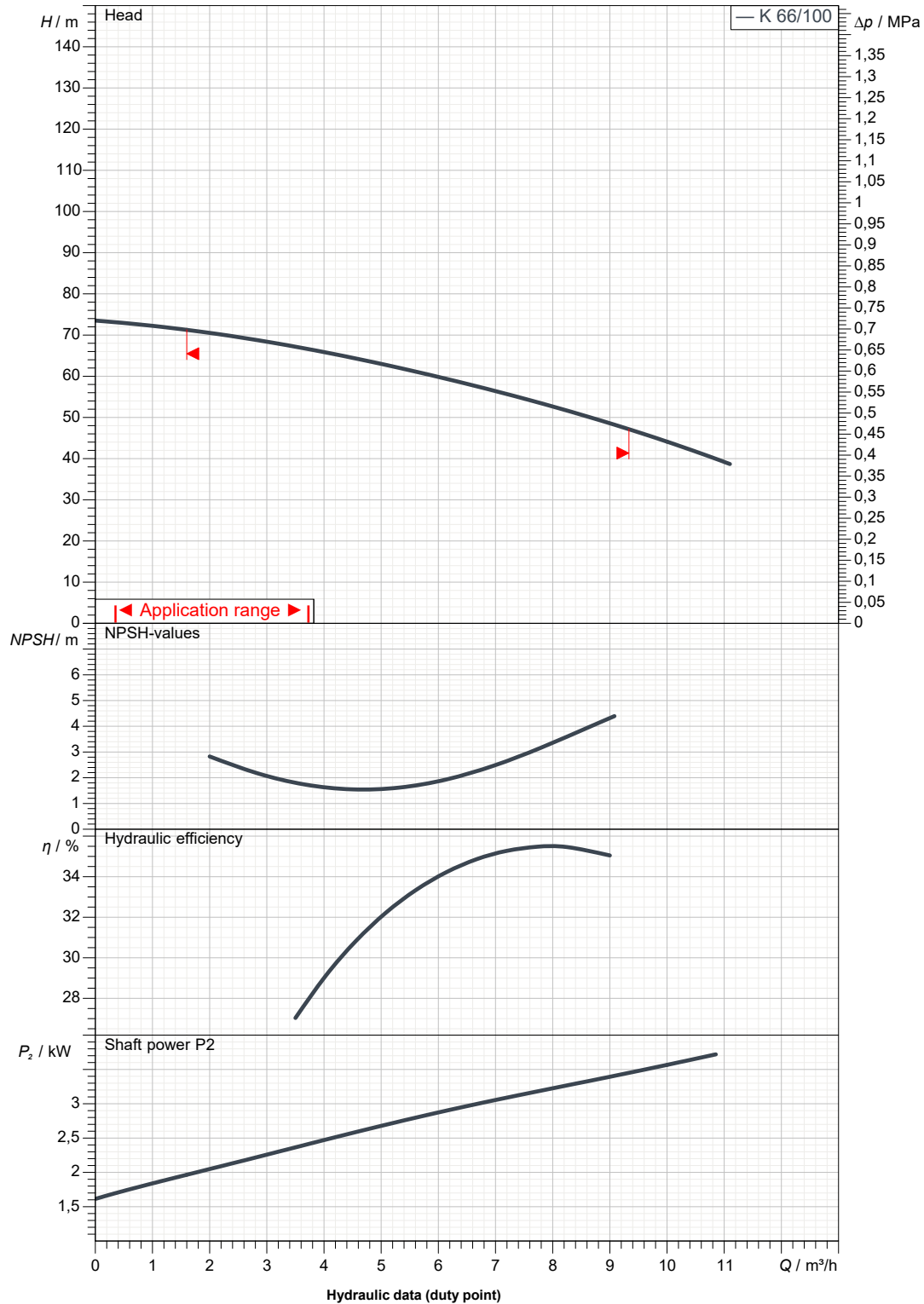
Receiver

From

 Company
 Reference
 Address
 Phone
 Fax
 E-mail

K 66/100 T IE3

Curve tolerance according to ISO 9906


 Suction side :
 1" 1/2 G
 1 MPa

 Discharge side :
 1" G
 1 MPa

Flow :

Head :

 Rated speed :
 2.850 1/min

MAIN_PROJECT_TITLE

BUSINESS_PROCESS_ID

OWNER_

ISSUE_DATE

2023-03-17



DIMENSIONAL DRAWING

2023-03-17

Page 3 / 3

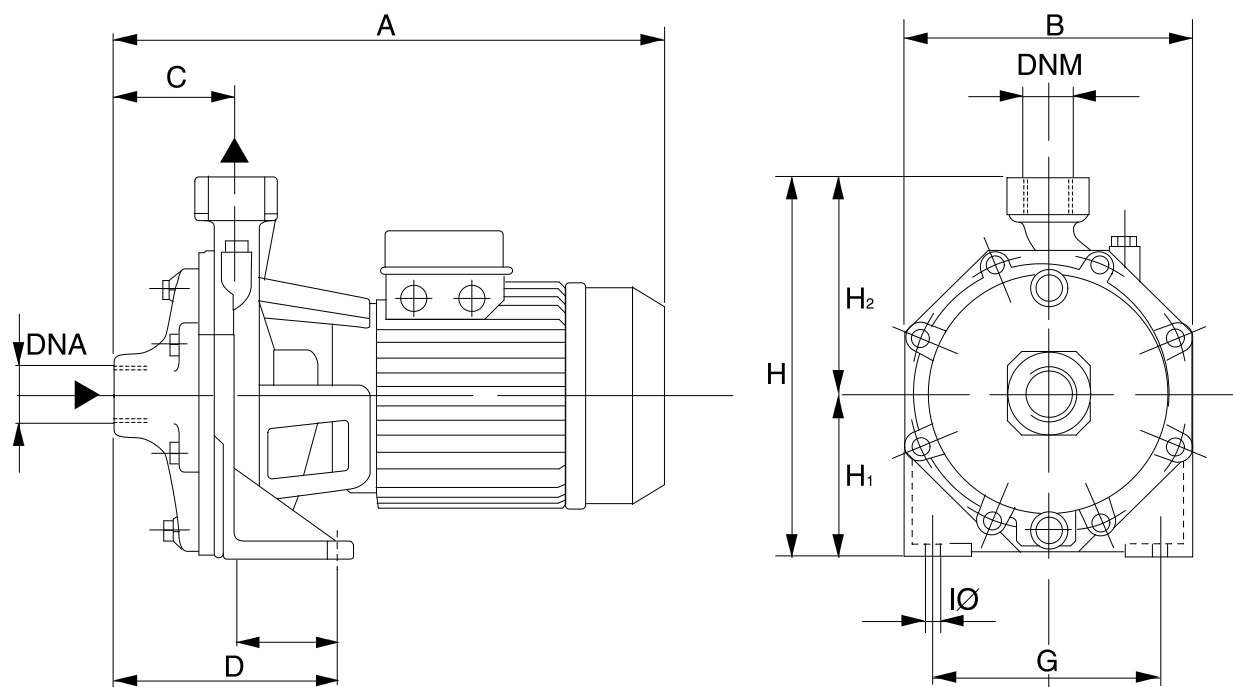
DAB PUMPS S.p.A.
Via Marco Polo, 14 - 35035 Mestrino (PD), Italy
Tel. +39 049 5125000 - Fax +39 049 5125950
www.dabpumps.com

Receiver

From

Company
Reference
Address
Phone
Fax
E-mail

K 66/100 T IE3



Dimensions in mm

Pump connection

1	A	450	H ₂	172,5			
2	B	256	Ø	14			Suction
3	C	88					1" 1/2 G
4	D	160					1 MPa
5	DNA	1"1/2 G					
6	DNM	1" G					Discharge
7	E	72					1" G
8	F	18					1 MPa
9	G	200					
10	H	312,5					
11	H ₁	140					

MAIN_PROJECT_TITLE

BUSINESS_PROCESS_ID

OWNER

ISSUE_DATE

2023-03-17