

Receiver

From

Company
Reference
Address
Phone
Fax
E-mail

Item n° : 60179858
Customer pos. no.:

Model :
K 30/100 T IE3

Pump data

MEI $\geq 0,70$
Pressure rating : 0,6 MPa
Min. fluid temperature : -10 °C
Max. fluid temperature : 50 °C
Max. Ambient temperature : 40 °C

Requested data

Flow :
Head :
Fluid : Water
Fluid Temperature : 20 °C
Density : 998,3 kg/m³
Kinematic viscosity : 1,005 mm²/s
Vapor pressure : 0,00 MPa

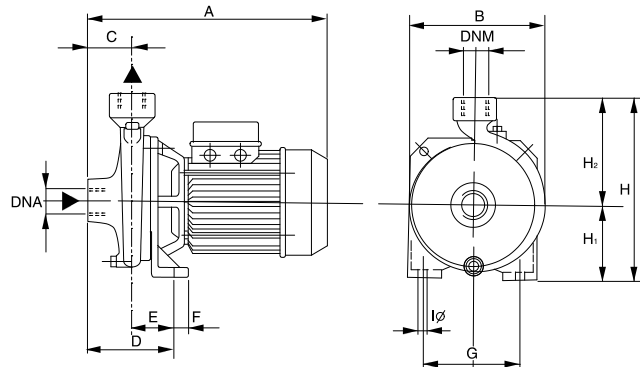
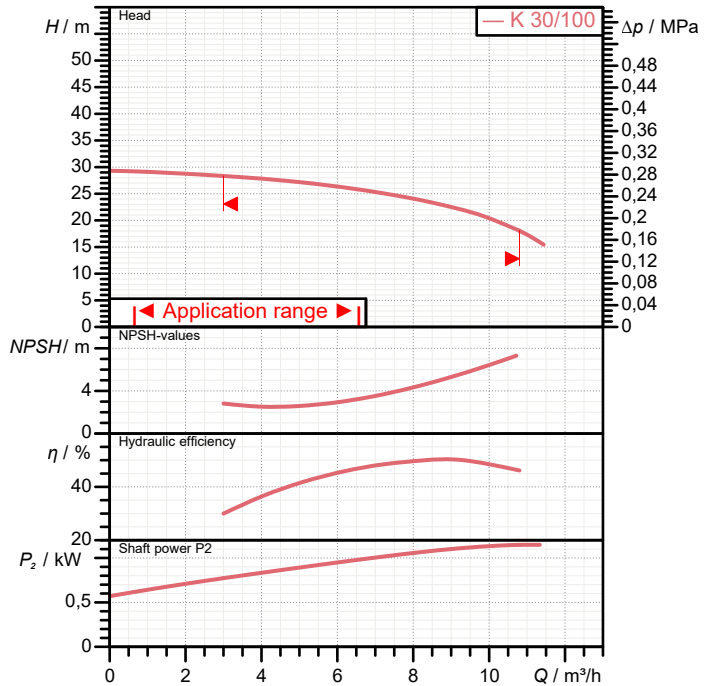
Hydraulic data (duty point)

Flow :
Head :
NPSH :
Shaft power P₂ :
Efficiency :

Materials

Pump body : Cast iron 200 UNI ISO 185
Support : Cast iron 200 UNI ISO 185
Impeller : Technopolymer A
Mechanical seal : Carbon/Ceramic
O-Ring : NBR Rubber
Shaft with rotor : AISI 303 X10 CrNiS 1809 UNI 6900/71

Curve tolerance according to ISO 9906



Weight : 18,5 kg

Motor data

Motor brand : DAB
Nominal power P₂ : 1,1 kW
Rated speed : 2.860 1/min
Rated voltage : 3~ 230 V 50 Hz
Nominal current : 6,9 A
Degree of protection : IP 44

Dimensions in mm

| | |
|-----|----------|
| A | 333 |
| B | 200 |
| C | 50 |
| D | 114 |
| DNA | 1" 1/2 G |
| DNM | 1" G |
| E | 64 |
| F | 15 |
| G | 140 |
| H | 255 |
| H1 | 105 |
| H2 | 150 |
| IØ | 9 |

Pump connection

Suction side : 1" 1/2 G / 0,6 MPa
Discharge side : 1" G / 0,6 MPa



PERFORMANCE CURVES

2023-03-17

Page 2 / 3

DAB PUMPS S.p.A.
Via Marco Polo, 14 - 35035 Mestrino (PD), Italy
Tel. +39 049 5125000 - Fax +39 049 5125950
www.dabpumps.com

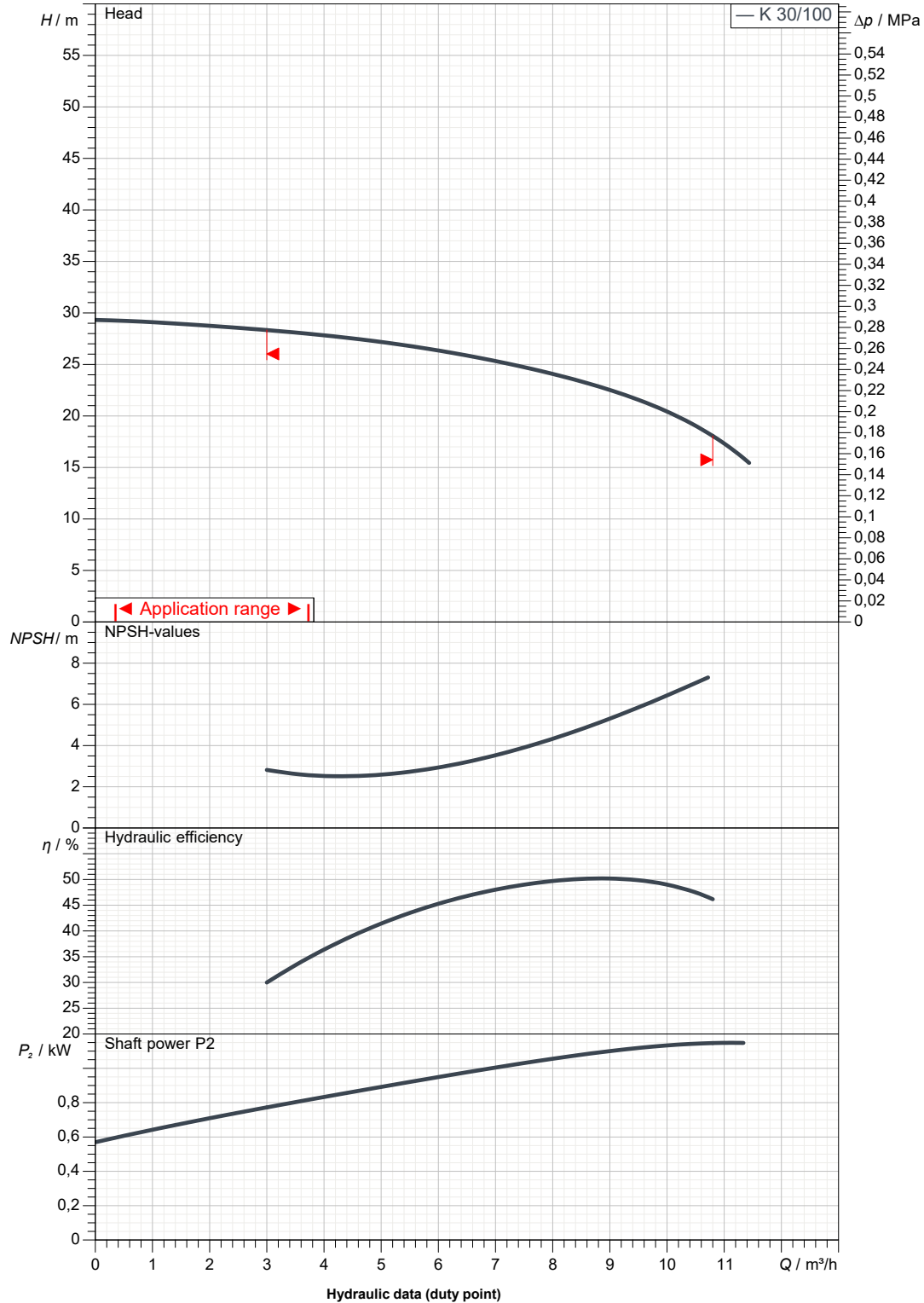
Receiver

From

Company
Reference
Address
Phone
Fax
E-mail

K 30/100 T IE3

Curve tolerance according to ISO 9906



Suction side :
1" 1/2 G
0,6 MPa

Discharge side :
1" G
0,6 MPa

Flow :

Head :

Rated speed :
2.860 1/min

MAIN_PROJECT_TITLE

BUSINESS_PROCESS_ID

OWNER_

ISSUE_DATE
2023-03-17



DIMENSIONAL DRAWING

2023-03-17

Page 3 / 3

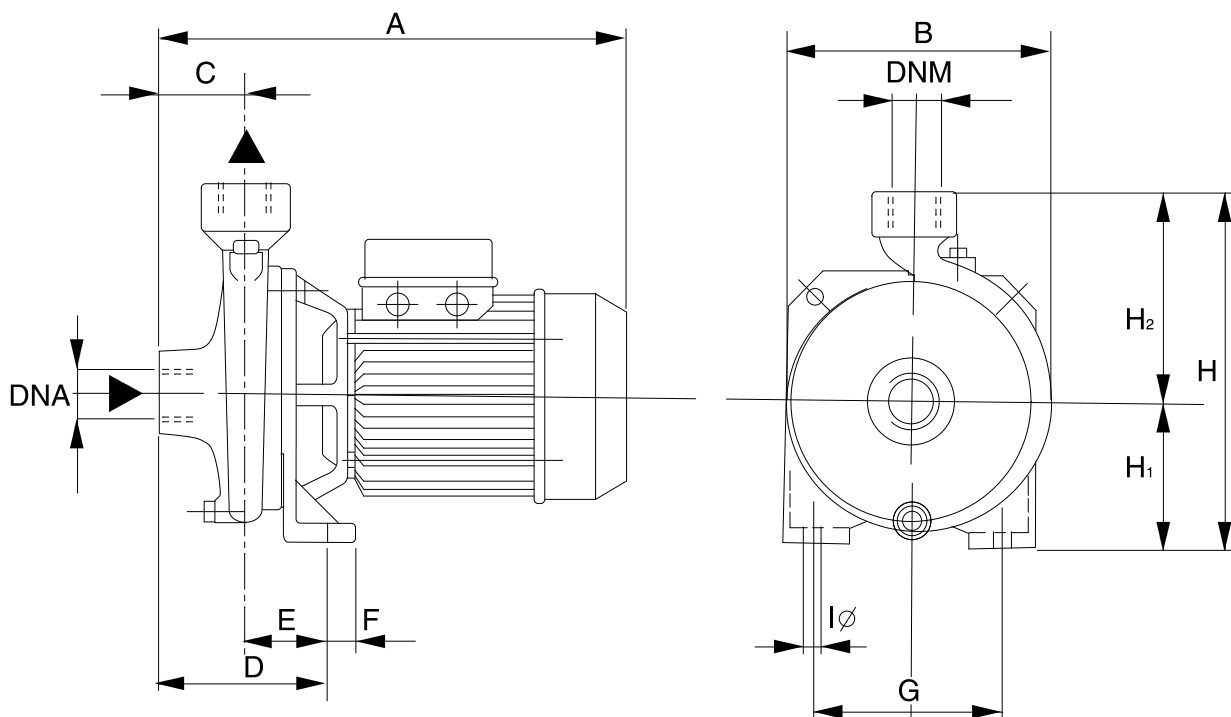
DAB PUMPS S.p.A.
Via Marco Polo, 14 - 35035 Mestrino (PD), Italy
Tel. +39 049 5125000 - Fax +39 049 5125950
www.dabpumps.com

Receiver

From

Company
Reference
Address
Phone
Fax
E-mail

K 30/100 T IE3



Dimensions in mm

Pump connection

| | | | | | | |
|----|-----|----------|----|-----|--|-----------|
| 1 | A | 333 | H2 | 150 | | |
| 2 | B | 200 | ∅ | 9 | | Suction |
| 3 | C | 50 | | | | 1" 1/2 G |
| 4 | D | 114 | | | | 0,6 MPa |
| 5 | DNA | 1" 1/2 G | | | | |
| 6 | DNM | 1" G | | | | Discharge |
| 7 | E | 64 | | | | 1" G |
| 8 | F | 15 | | | | 0,6 MPa |
| 9 | G | 140 | | | | |
| 10 | H | 255 | | | | |
| 11 | H1 | 105 | | | | |

MAIN_PROJECT_TITLE

BUSINESS_PROCESS_ID

OWNER

ISSUE_DATE

2023-03-17