

Receiver

From

Company
Reference
Address
Phone
Fax
E-mail

Item n° : 60179867
Customer pos. no.:

Model :
KVC 60/120 T IE3

Pump data

MEI $\geq 0,50$

Pressure rating : 1,2 MPa
Min. fluid temperature : 0 °C
Max. fluid temperature : 40 °C
Max. Ambient temperature : 40 °C

Requested data

Flow :
Head :
Fluid : Water
Fluid Temperature : 20 °C
Density : 998,3 kg/m³
Kinematic viscosity : 1,005 mm²/s
Vapor pressure : 0,00 MPa

Hydraulic data (duty point)

Flow :
Head :
NPSH :
Shaft power P2 : 2,20 kW
Efficiency :

Materials

Impeller : Technopolymer B
Diffuser : Technopolymer B
Shaft with rotor : AISI 303 X10 CrNiS 1809 UNI 6900/71
External sleeve : AISI 304 X5 Cr Ni 1810 UNI 6900/71
Seal disk : AISI 304 X5 Cr Ni 1810 UNI 6900/71
Mechanical seal : Silicon carbide/Carbon
O-Ring : EPDM Rubber

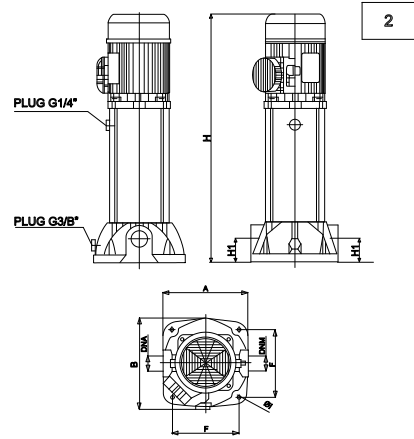
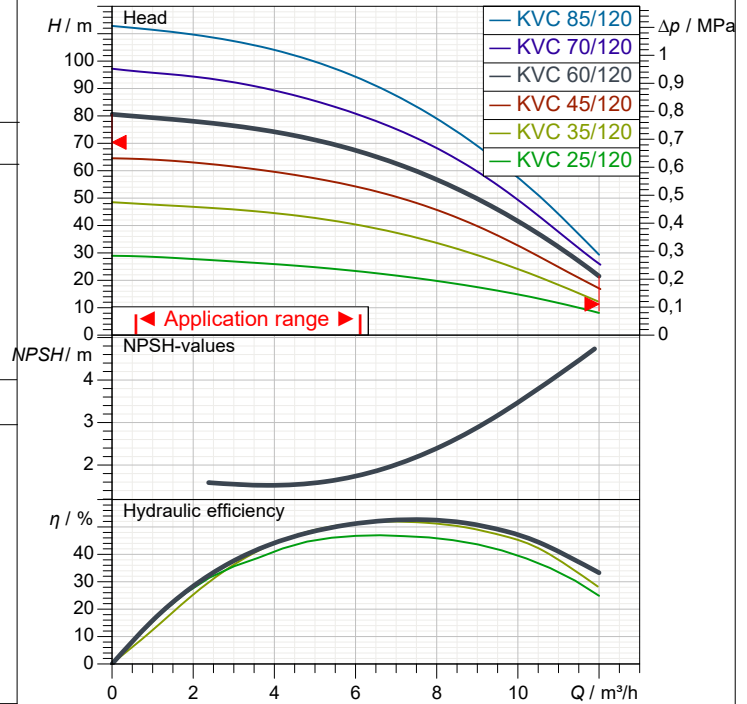
Motor data

Motor brand : DAB
Nominal power P2 : 2,2 kW
Rated speed : 2.800 1/min
Rated voltage : 3~ 400 V 50 Hz
Nominal current : 5,2 A
Degree of protection : IP 55

Pump connection

Suction side : 1" 1/4 G / 1,2 MPa
Discharge side : 1" 1/4 G / 1,2 MPa

Curve tolerance according to ISO 9906



Weight : 21,6 kg

Dimensions in mm

| | |
|-----|---------|
| A | 221 |
| B | 235 |
| DNA | 1"1/4 G |
| DNM | 1"1/4 G |
| F | 170 |
| H | 610 |
| H1 | 60 |
| Ø I | 9 |

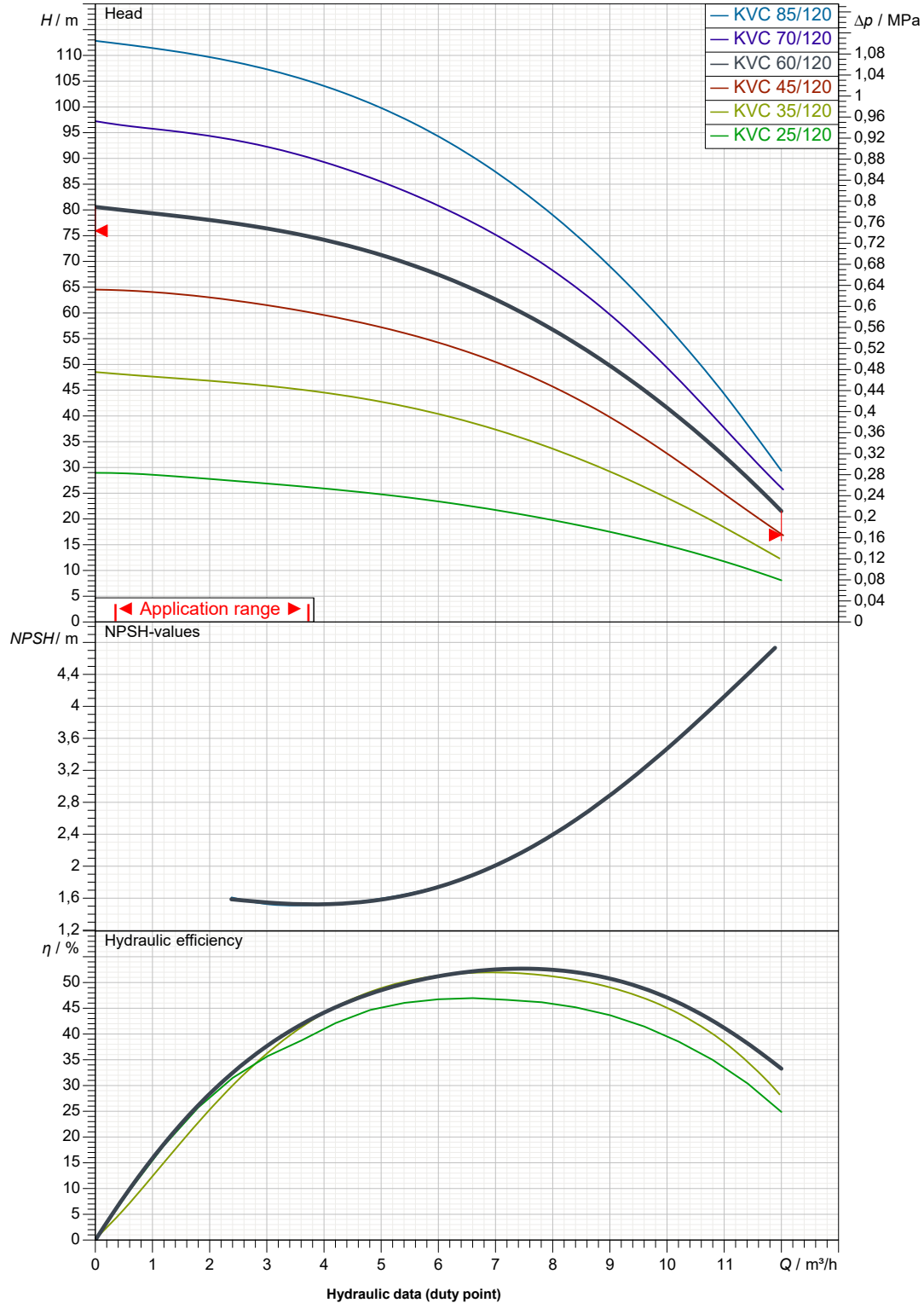
Receiver

From

 Company
 Reference
 Address
 Phone
 Fax
 E-mail

KVC 60/120 T IE3

Curve tolerance according to ISO 9906


 Suction side :
 1" 1/4 G
 1,2 MPa

 Discharge side :
 1" 1/4 G
 1,2 MPa

Flow :

Head :

 Rated speed :
 2.800 1/min

MAIN_PROJECT_TITLE

BUSINESS_PROCESS_ID

OWNER_

 ISSUE_DATE
 2023-03-17



DIMENSIONAL DRAWING

2023-03-17

Page 3 / 3

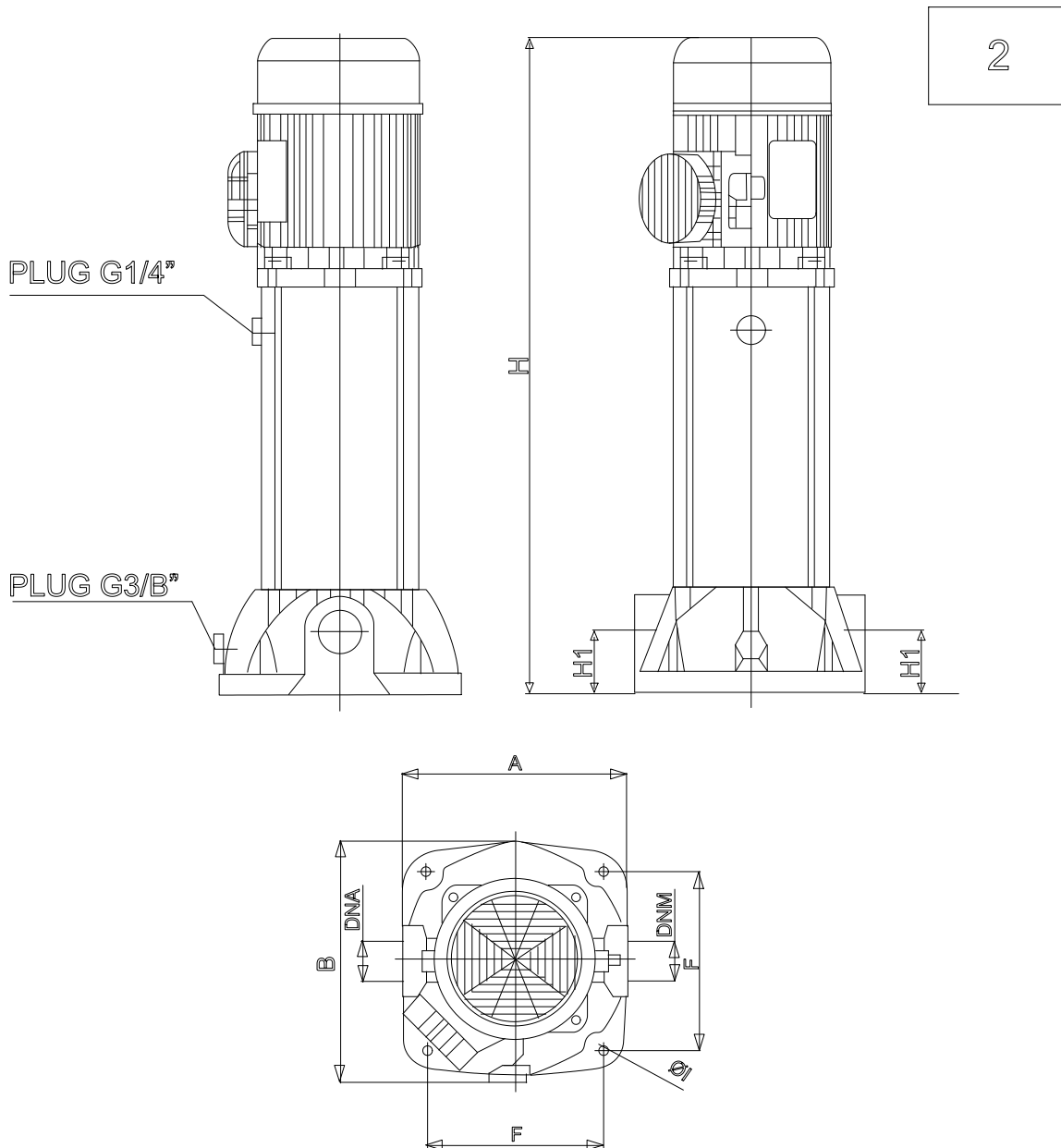
DAB PUMPS S.p.A.
Via Marco Polo, 14 - 35035 Mestrino (PD), Italy
Tel. +39 049 5125000 - Fax +39 049 5125950
www.dabpumps.com

Receiver

From

Company
Reference
Address
Phone
Fax
E-mail

KVC 60/120 T IE3



2

| Dimensions in mm | | | Pump connection | |
|------------------|-----|---------|-----------------|-----------|
| 1 | A | 221 | | |
| 2 | B | 235 | | Suction |
| 3 | DNA | 1"1/4 G | | 1" 1/4 G |
| 4 | DNM | 1"1/4 G | | 1,2 MPa |
| 5 | F | 170 | | Discharge |
| 6 | H | 610 | | 1" 1/4 G |
| 7 | H1 | 60 | | 1,2 MPa |
| 8 | Ø1 | 9 | | |
| 9 | | | | |
| 10 | | | | |
| 11 | | | | |

| | | | |
|--------------------|---------------------|-------|---------------------------------|
| MAIN_PROJECT_TITLE | BUSINESS_PROCESS_ID | OWNER | ISSUE_DATE 2023-03-17 |
|--------------------|---------------------|-------|---------------------------------|