

Receiver

From

Company
Reference
Address
Phone
Fax
E-mail

Item n° : 60179882
Customer pos. no.:

Model :
K 28/500 T IE3

Pump data

MEI $\geq 0,70$
Pressure rating : 0,8 MPa
Min. fluid temperature : -15 °C
Max. fluid temperature : 110 °C
Max. Ambient temperature : 40 °C

Requested data

Flow :
Head :
Fluid : Water
Fluid Temperature : 20 °C
Density : 998,3 kg/m³
Kinematic viscosity : 1,005 mm²/s
Vapor pressure : 0,00 MPa

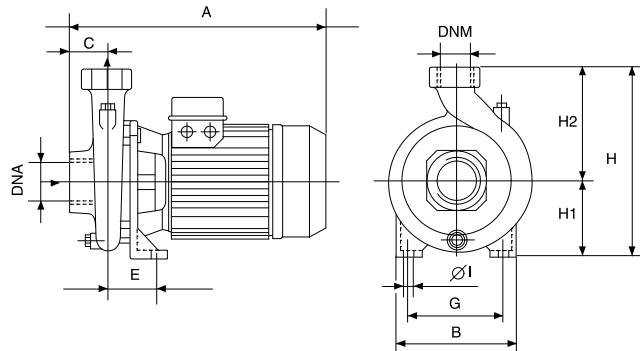
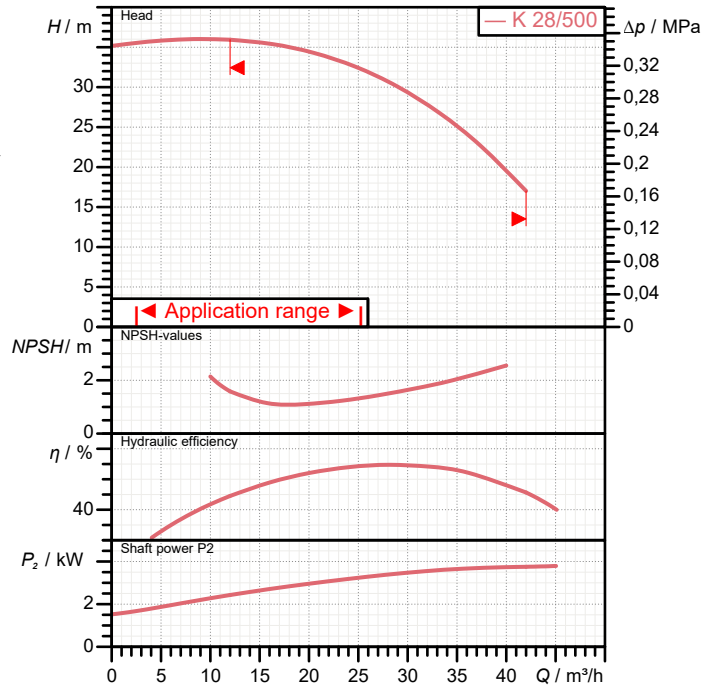
Hydraulic data (duty point)

Flow :
Head :
NPSH :
Shaft power P₂ :
Efficiency :

Materials

Pump body : Cast iron 200 UNI ISO 185
Support : Cast iron 200 UNI ISO 185
Impeller : Cast iron 200 UNI ISO 185
Mechanical seal : Carbon/Ceramic
O-Ring : EPDM Rubber
Shaft with rotor : AISI 303 X10 CrNiS 1809 UNI 6900/71

Curve tolerance according to ISO 9906



Weight : 40,6 kg

Motor data

Motor brand : DAB
Nominal power P₂ : 4 kW
Rated speed : 2.950 1/min
Rated voltage : 3~ 230 V 50 Hz
Nominal current : 13,7 A
Degree of protection : IP 55

Dimensions in mm

A	440
B	240
C	62
DNA	2" 1/2 G
DNM	2" G
E	100
G	155
H	312
H1	132
H2	180
∅	14

Pump connection

Suction side : 2" 1/2 G / 0,8 MPa
Discharge side : 2" G / 0,8 MPa



PERFORMANCE CURVES

2023-03-17

Page 2 / 3

DAB PUMPS S.p.A.
Via Marco Polo, 14 - 35035 Mestrino (PD), Italy
Tel. +39 049 5125000 - Fax +39 049 5125950
www.dabpumps.com

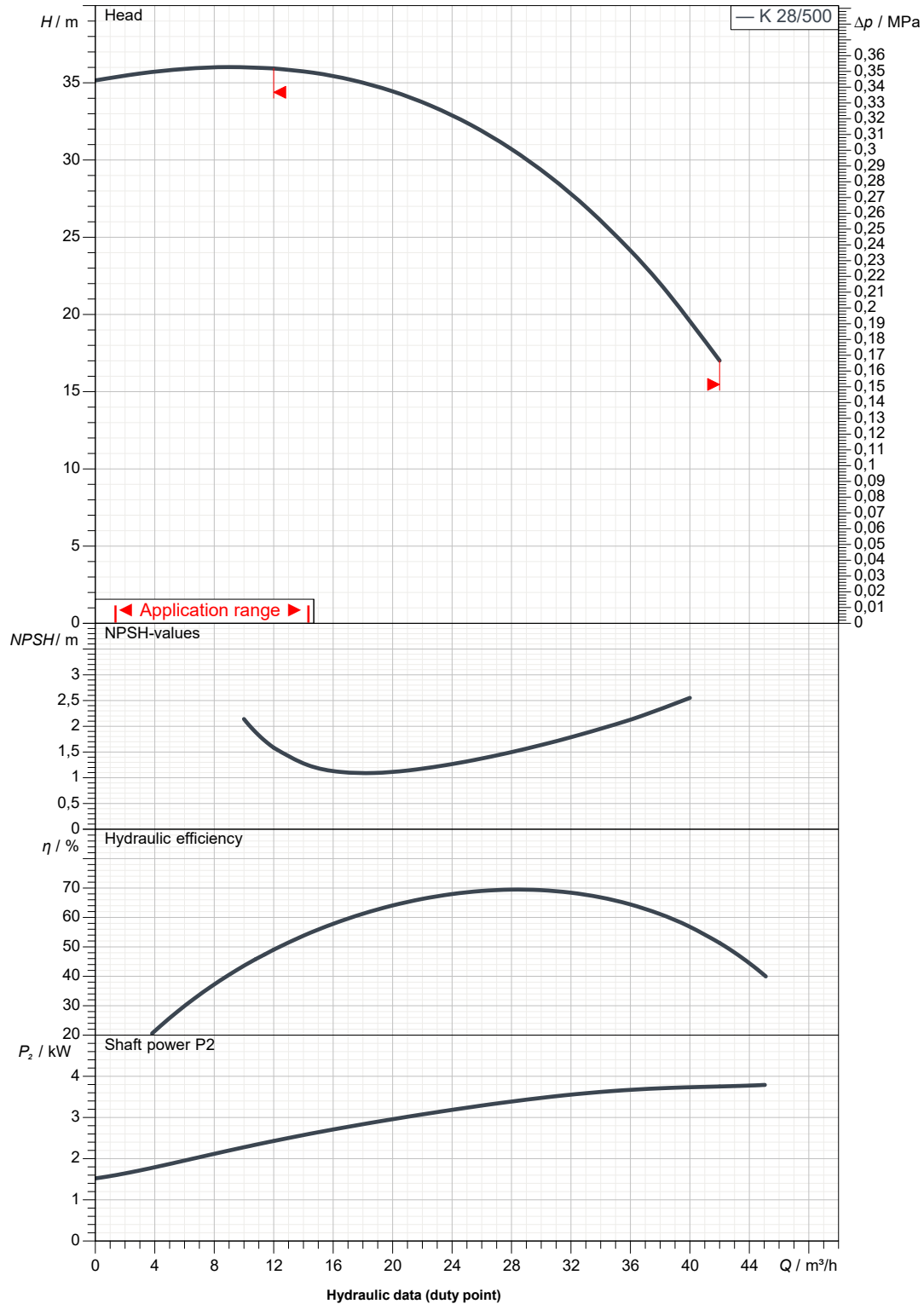
Receiver

From

Company
Reference
Address
Phone
Fax
E-mail

K 28/500 T IE3

Curve tolerance according to ISO 9906



Suction side :
2" 1/2 G
0,8 MPa

Discharge side :
2" G
0,8 MPa

Flow :

Head :

Rated speed :
2.950 1/min

MAIN_PROJECT_TITLE

BUSINESS_PROCESS_ID

OWNER_

ISSUE_DATE

2023-03-17



DIMENSIONAL DRAWING

2023-03-17

Page 3 / 3

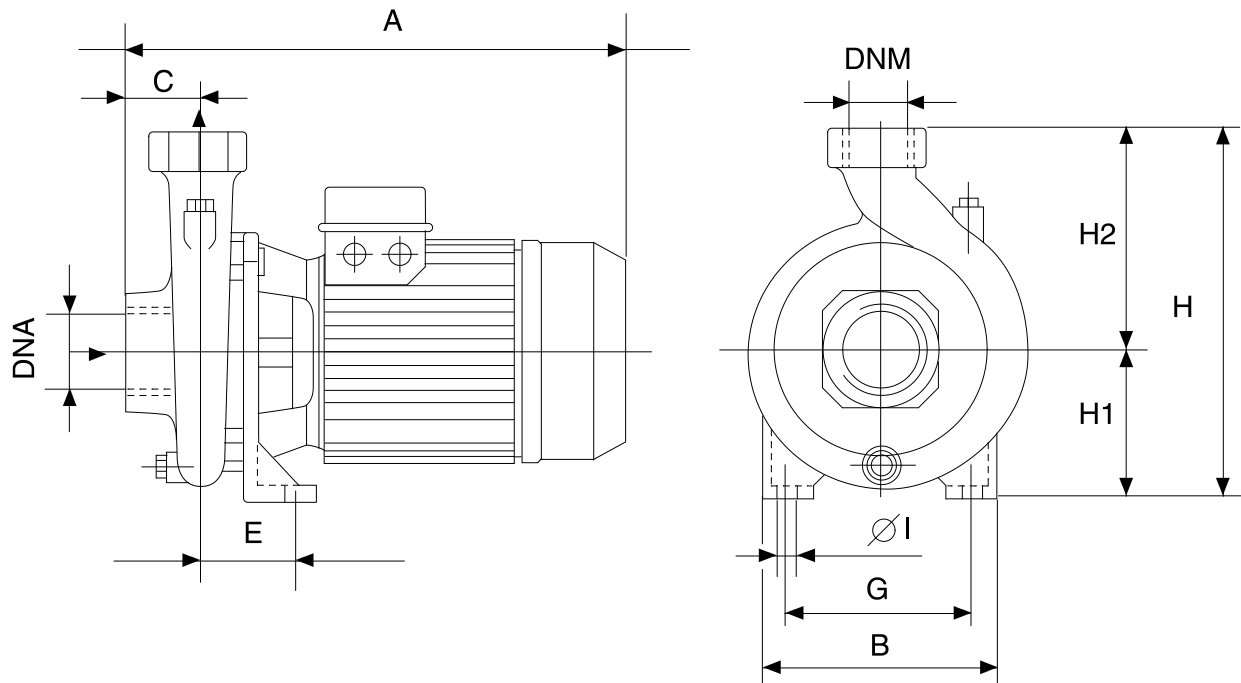
DAB PUMPS S.p.A.
Via Marco Polo, 14 - 35035 Mestrino (PD), Italy
Tel. +39 049 5125000 - Fax +39 049 5125950
www.dabpumps.com

Receiver

From

Company
Reference
Address
Phone
Fax
E-mail

K 28/500 T IE3



Dimensions in mm					Pump connection	
1	A	440				
2	B	240				Suction
3	C	62				2" 1/2 G
4	DNA	2" 1/2 G				0,8 MPa
5	DNM	2" G				
6	E	100				Discharge
7	G	155				2" G
8	H	312				0,8 MPa
9	H1	132				
10	H2	180				
11	∅	14				

MAIN_PROJECT_TITLE	BUSINESS_PROCESS_ID	OWNER	ISSUE_DATE 2023-03-17
--------------------	---------------------	-------	---------------------------------