

**Receiver**

**From**

Company  
Reference  
Address  
Phone  
Fax  
E-mail

**Item n° : Customer pos. no.:**

60179892

Model :

CP 50/2600 T IE3

**Pump data**

MEI ≥ 0,60

Pressure rating : PN 16  
Min. fluid temperature : -10 °C  
Max. fluid temperature : 130 °C  
Max. Ambient temperature : 40 °C

**Requested data**

Flow :  
Head :  
Fluid (%) :  
Fluid Temperature : 20 °C  
Density : 998,3 kg/m³  
Kinematic viscosity : 1,005 mm²/s  
Vapor pressure : 0,00 MPa

**Hydraulic data (duty point)**

Flow :  
Head :  
NPSH :  
Shaft power P2 :  
Efficiency :

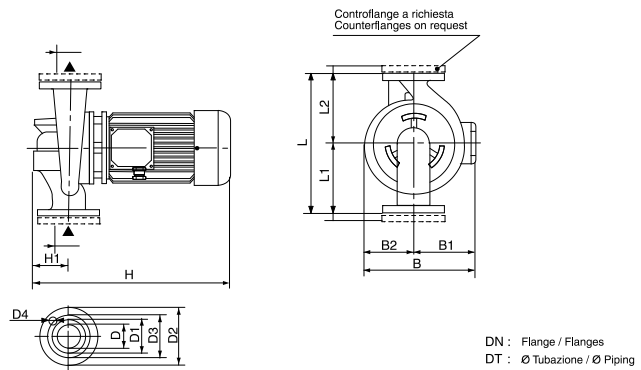
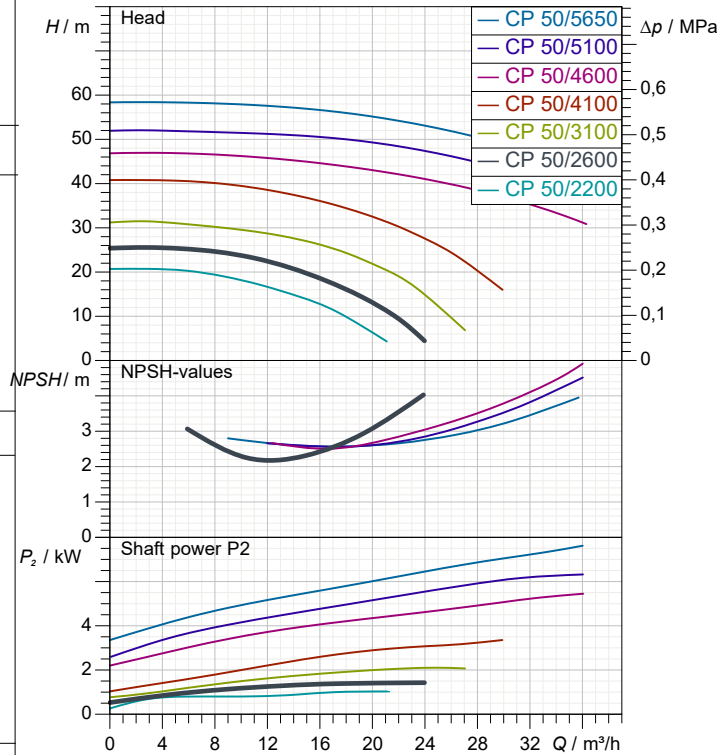
**Materials**

Pump body Cast iron 250 UNI ISO 185  
Support Cast iron 250 UNI ISO 185  
Impeller Technopolymer B  
Mechanical seal Carbon/Graphite  
O-Ring EPDM Rubber  
Shaft with rotor AISI 304 X5 Cr Ni 1810 UNI 6900/71

**Motor data**

Nominal power P2 : 1,5 kW  
Rated speed : 2.894 1/min  
Rated voltage : 3~ 230 V 50 Hz  
Nominal current : 6,9 A  
Degree of protection : IP 55

**Curve tolerance according to ISO 9906**



**Weight :** 41 kg

**Dimensions in mm**

B	233	H	463
B1	120	H1	105
B2	113	L	425
D	50 PN16	L1	225
D1	102	L2	200
D2	165		
D3	125		
D4	4 x Ø18		

**Pump connection**

Suction side : DN 50 / PN 16  
Discharge side : DN 50 / PN 16



# PERFORMANCE CURVES

2023-03-17

Page 2 / 3

DAB PUMPS S.p.A.  
Via Marco Polo, 14 - 35035 Mestrino (PD), Italy  
Tel. +39 049 5125000 - Fax +39 049 5125950  
www.dabpumps.com

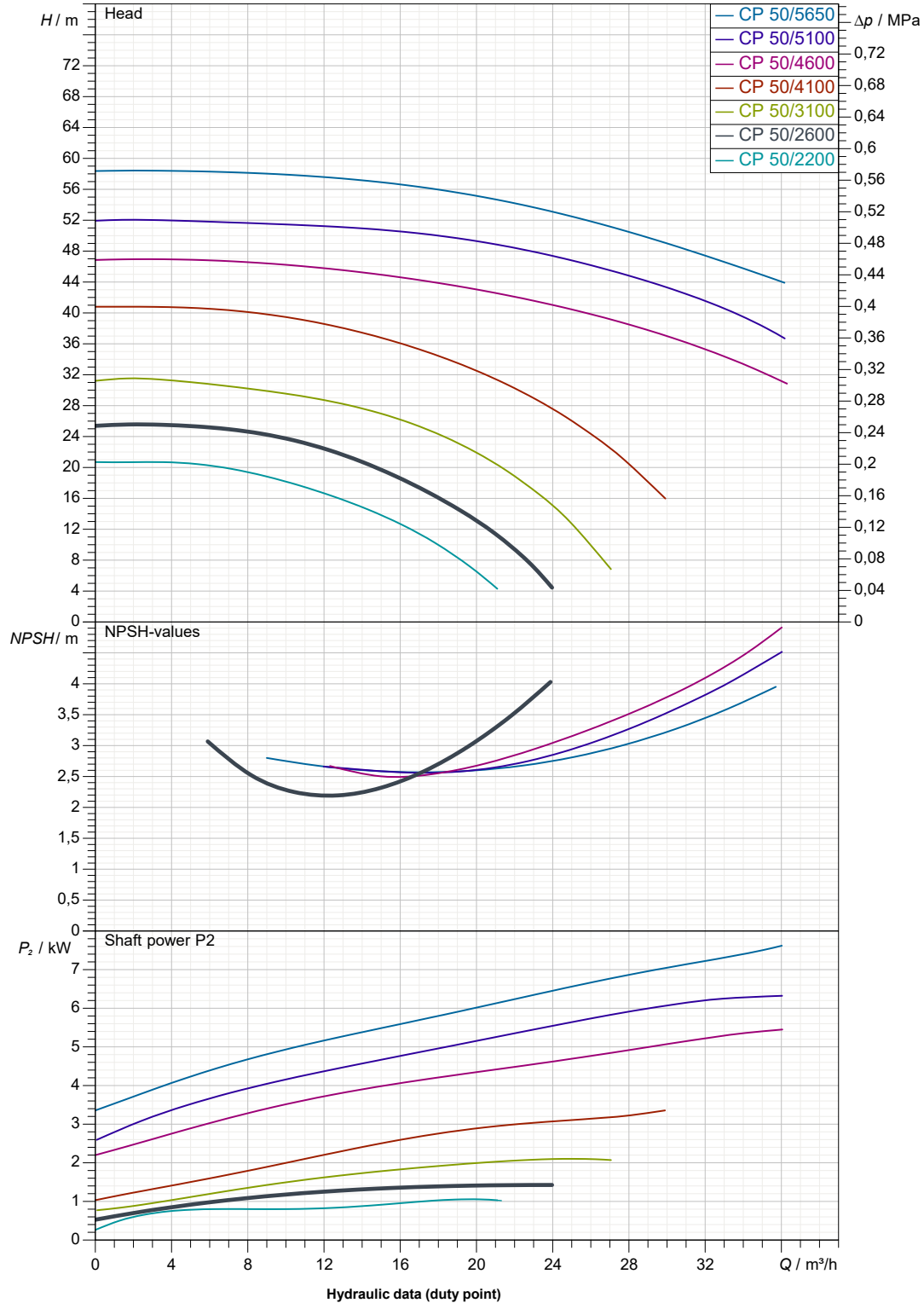
Receiver

From

Company  
Reference  
Address  
Phone  
Fax  
E-mail

## CP 50/2600 T IE3

Curve tolerance according to ISO 9906



Suction side :  
DN 50  
PN 16

Discharge side :  
DN 50  
PN 16

Flow :

Head :

Rated speed :  
2.894 1/min

MAIN\_PROJECT\_TITLE

BUSINESS\_PROCESS\_ID

OWNER\_

ISSUE\_DATE  
2023-03-17



# DIMENSIONAL DRAWING

2023-03-17

Page 3 / 3

DAB PUMPS S.p.A.  
Via Marco Polo, 14 - 35035 Mestrino (PD), Italy  
Tel. +39 049 5125000 - Fax +39 049 5125950  
www.dabpumps.com

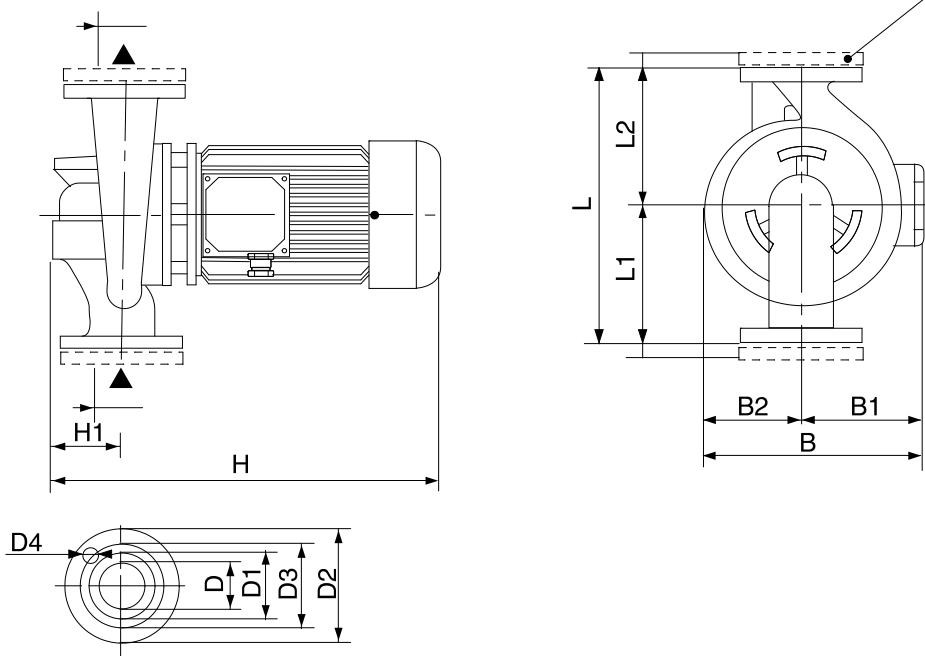
Receiver

From

Company  
Reference  
Address  
Phone  
Fax  
E-mail

## CP 50/2600 T IE3

Controflange a richiesta  
Counterflanges on request



DN : Flange / Flanges

DT : Ø Tubazione / Ø Piping

Dimensions in mm					Pump connection
1	B	233	L1	225	Suction DN 50 PN 16  Discharge DN 50 PN 16
2	B1	120	L2	200	
3	B2	113			
4	D	50 PN16			
5	D1	102			
6	D2	165			
7	D3	125			
8	D4	4 x Ø18			
9	H	463			
10	H1	105			
11	L	425			
MAIN_PROJECT_TITLE		BUSINESS_PROCESS_ID		OWNER	ISSUE_DATE 2023-03-17