

Receiver

From

Company
Reference
Address
Phone
Fax
E-mail

Item n° : Customer pos. no.:

60180113

Model :

DCP 50/1900 T IE3

Pump data

MEI \geq 0,60

Pressure rating : PN 16
Min. fluid temperature : -10 °C
Max. fluid temperature : 130 °C
Max. Ambient temperature : 40 °C

Requested data

Flow :
Head :
Fluid (%) :
Fluid Temperature : 20 °C
Density : 998,3 kg/m³
Kinematic viscosity : 1,005 mm²/s
Vapor pressure : 0,00 MPa

Hydraulic data (duty point)

Flow :
Head :
NPSH :
Shaft power P2 :
Efficiency :

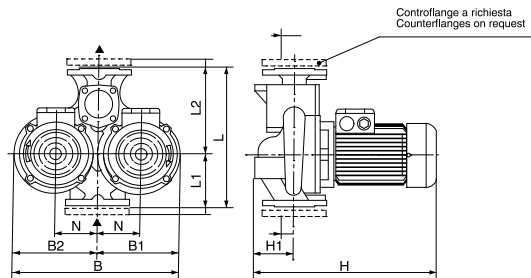
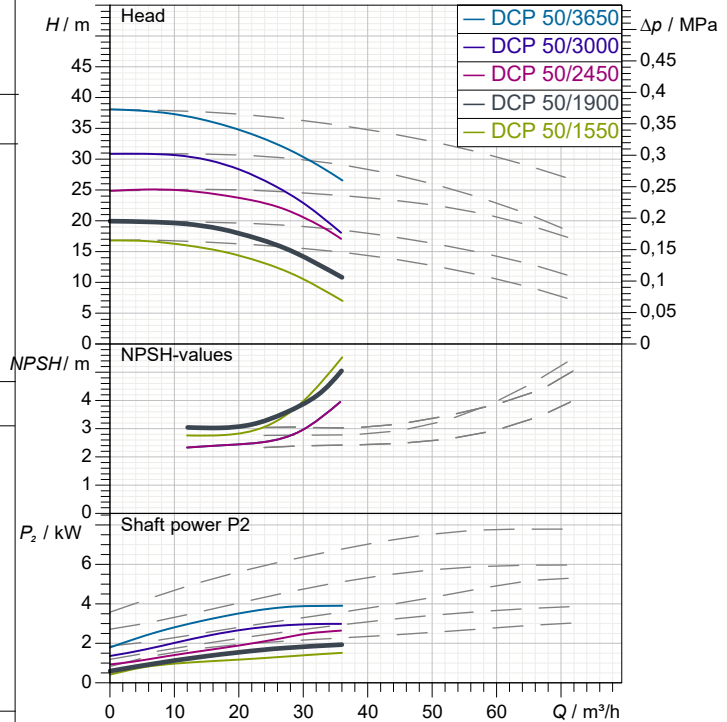
Materials

Pump body : Cast iron 250 UNI ISO 185
Support : Cast iron 250 UNI ISO 185
Impeller : Cast iron 250 UNI ISO 185
Mechanical seal : Carbon/Graphite
O-Ring : EPDM Rubber
Shaft with rotor : AISI 304 X5 Cr Ni 1810 UNI 6900/71

Motor data

Motor brand :
Nominal power P2 : 1 X 2,2 kW
Rated speed : 2.900 1/min
Rated voltage : 3~ 230 V 50 Hz
Nominal current : 1 X 8 A
Degree of protection : IP 55

**Curve tolerance according to ISO 9906
Number of working motors : 1**



DN : Flange / Flanges
DT : Ø Tubazione / Ø Piping

Weight : 58 kg

Dimensions in mm

B	427	H	455
B1	217	H1	110
B2	210	L	365
D	50 PN16	L1	145
D1	102	L2	220
D2	165	N	105
D3	125		
D4	4 x Ø18		

Pump connection

Suction side : DN 50 / PN 16
Discharge side : DN 50 / PN 16



PERFORMANCE CURVES

2023-03-17

Page 2 / 3

DAB PUMPS S.p.A.
Via Marco Polo, 14 - 35035 Mestrino (PD), Italy
Tel. +39 049 5125000 - Fax +39 049 5125950
www.dabpumps.com

Receiver

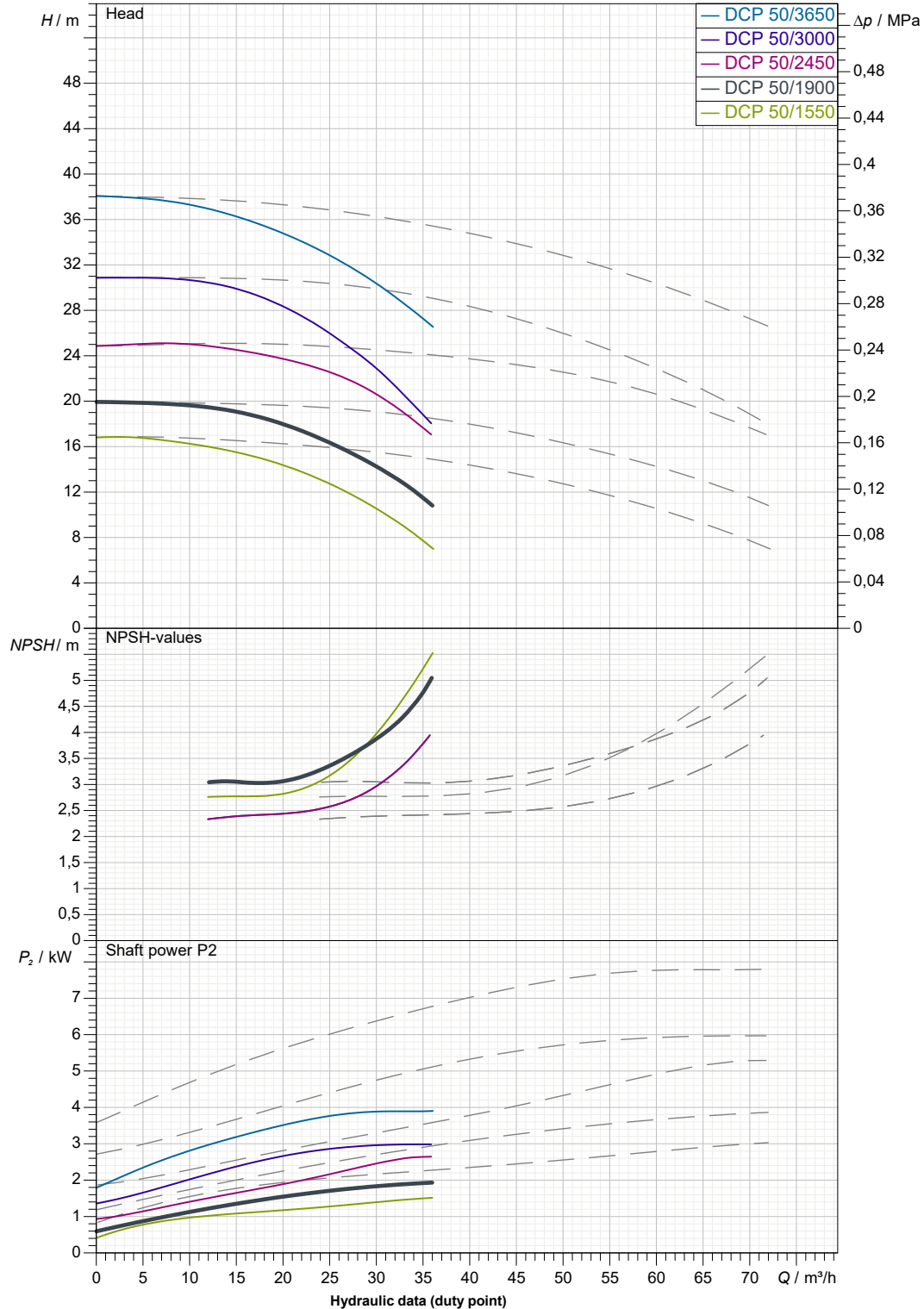
From

Company
Reference
Address
Phone
Fax
E-mail

DCP 50/1900 T IE3

Number of working motors : 1

Curve tolerance according to ISO 9906



Suction side :
DN 50
PN 16

Discharge side :
DN 50
PN 16

Flow :

Head :

Rated speed :
2.900 1/min

MAIN_PROJECT_TITLE

BUSINESS_PROCESS_ID

OWNER_

ISSUE_DATE
2023-03-17



DIMENSIONAL DRAWING

2023-03-17

Page 3 / 3

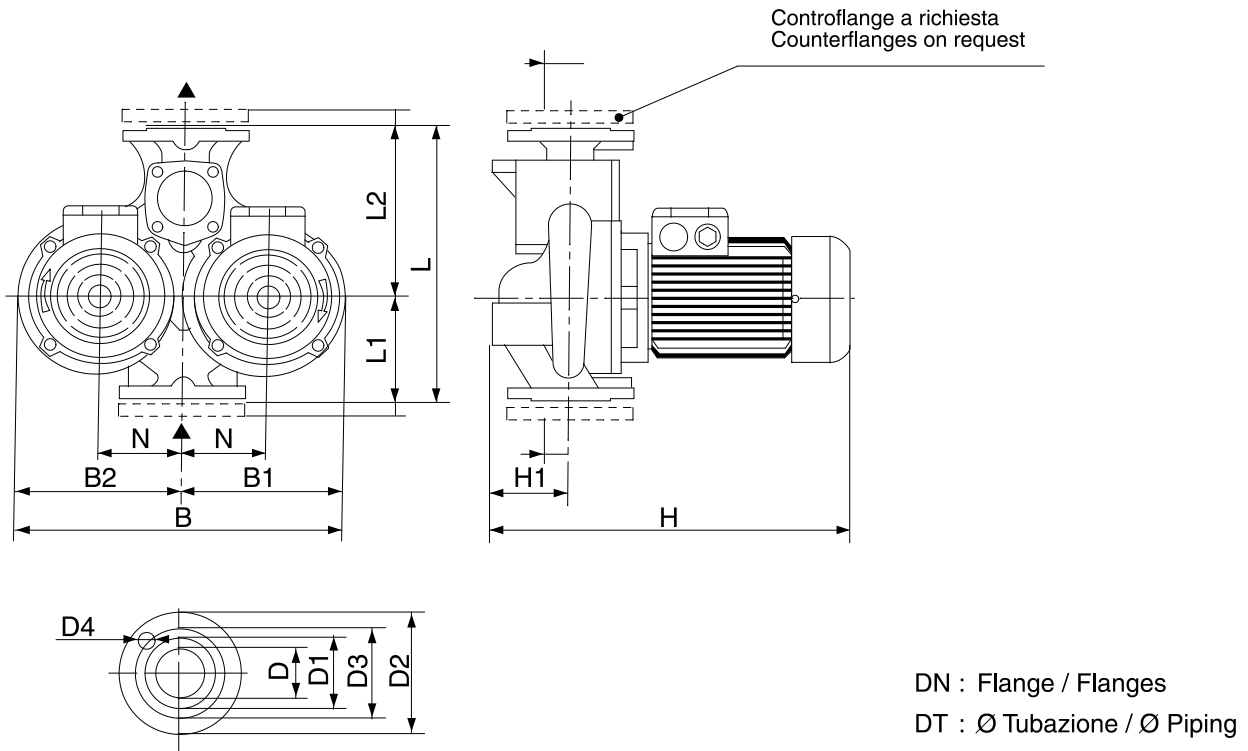
DAB PUMPS S.p.A.
Via Marco Polo, 14 - 35035 Mestrino (PD), Italy
Tel. +39 049 5125000 - Fax +39 049 5125950
www.dabpumps.com

Receiver

From

Company
Reference
Address
Phone
Fax
E-mail

DCP 50/1900 T IE3



Dimensions in mm						Pump connection
1	B	427	L1	145		Suction DN 50 PN 16
2	B1	217	L2	220		
3	B2	210	N	105		
4	D	50 PN16				Discharge DN 50 PN 16
5	D1	102				
6	D2	165				
7	D3	125				
8	D4	4 x Ø18				
9	H	455				
10	H1	110				
11	L	365				

MAIN_PROJECT_TITLE	BUSINESS_PROCESS_ID	OWNER	ISSUE_DATE 2023-03-17
--------------------	---------------------	-------	--------------------------