



PERFORMANCE CURVES

2023-03-17

Page 2 / 3

DAB PUMPS S.p.A.
Via Marco Polo, 14 - 35035 Mestrino (PD), Italy
Tel. +39 049 5125000 - Fax +39 049 5125950
www.dabpumps.com

Receiver

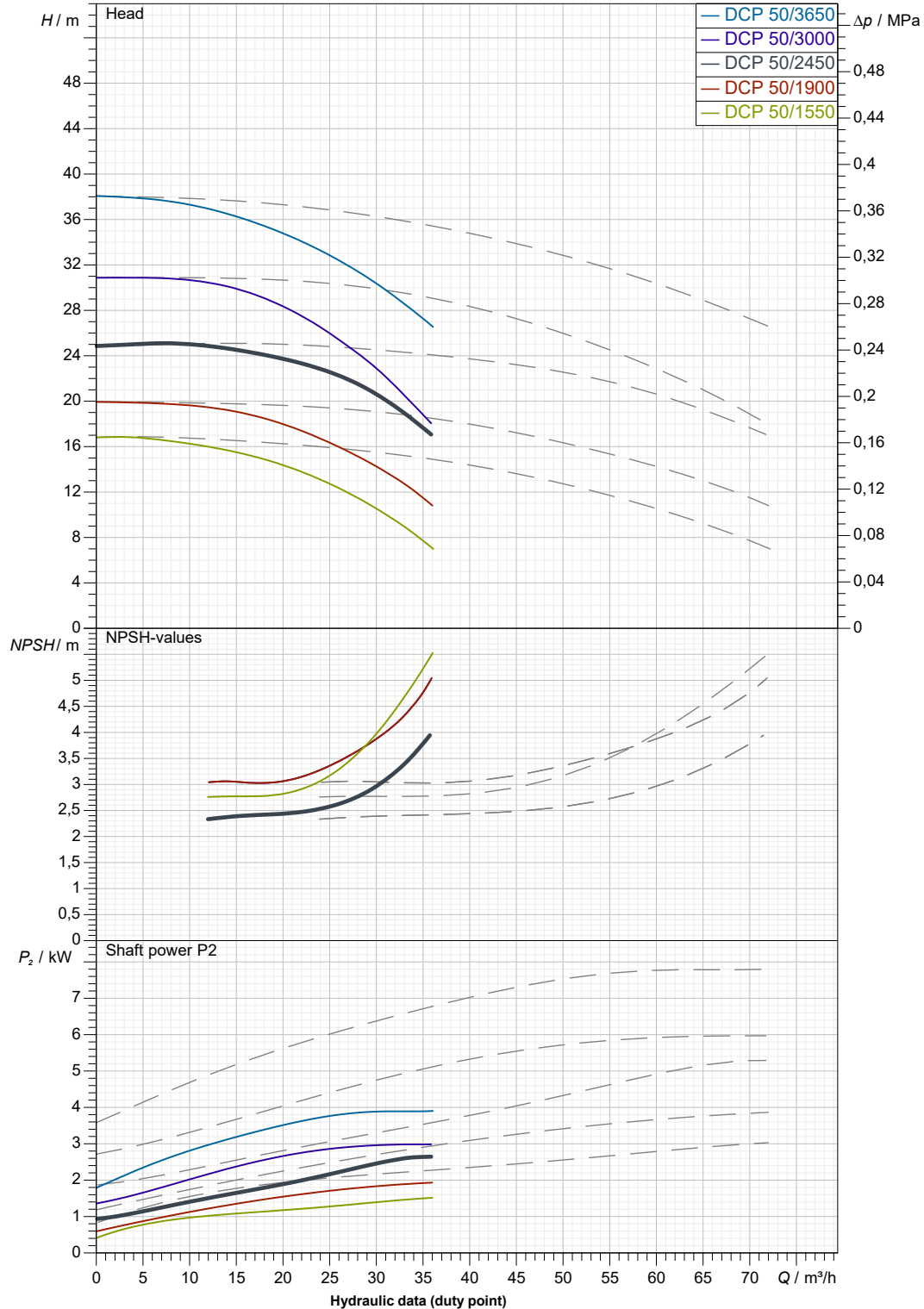
From

Company
Reference
Address
Phone
Fax
E-mail

DCP 50/2450 T IE3

Number of working motors : 1

Curve tolerance according to ISO 9906



Suction side :
DN 50
PN 16

Discharge side :
DN 50
PN 16

Flow :

Head :

Rated speed :
2.900 1/min

MAIN_PROJECT_TITLE

BUSINESS_PROCESS_ID

OWNER_

ISSUE_DATE
2023-03-17



DIMENSIONAL DRAWING

2023-03-17

Page 3 / 3

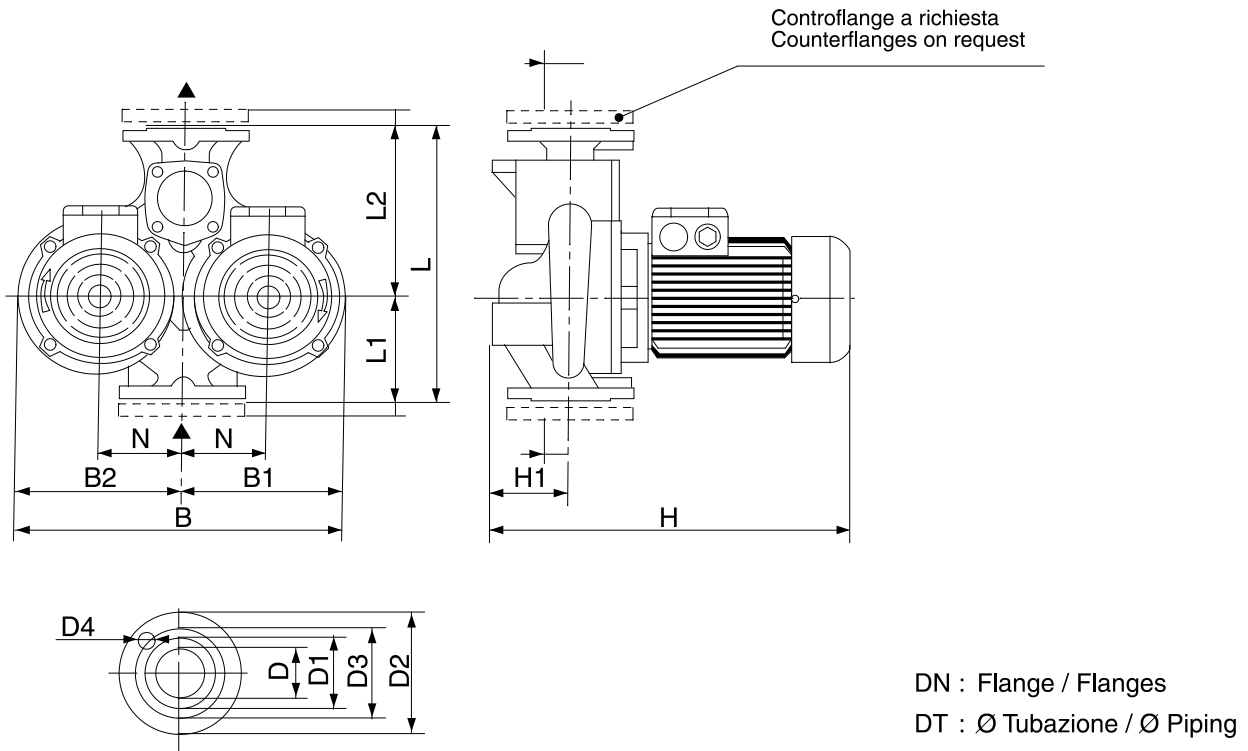
DAB PUMPS S.p.A.
Via Marco Polo, 14 - 35035 Mestrino (PD), Italy
Tel. +39 049 5125000 - Fax +39 049 5125950
www.dabpumps.com

Receiver

From

Company
Reference
Address
Phone
Fax
E-mail

DCP 50/2450 T IE3



Dimensions in mm						Pump connection
1	B	427	L1	145		Suction DN 50 PN 16
2	B1	217	L2	220		
3	B2	210	N	105		
4	D	50 PN16				Discharge DN 50 PN 16
5	D1	102				
6	D2	165				
7	D3	125				
8	D4	4 x Ø18				
9	H	455				
10	H1	110				
11	L	365				

MAIN_PROJECT_TITLE	BUSINESS_PROCESS_ID	OWNER	ISSUE_DATE 2023-03-17
--------------------	---------------------	-------	---------------------------------