

Receiver

From

Company
Reference
Address
Phone
Fax
E-mail

Item n° : 60180172
Customer pos. no.:

Model :
K 40/400 T IE3

Pump data

MEI \geq 0,50
Pressure rating : 1 MPa
Min. fluid temperature : -15 °C
Max. fluid temperature : 110 °C
Max. Ambient temperature : 40 °C

Requested data

Flow :
Head :
Fluid : Water
Fluid Temperature : 20 °C
Density : 998,3 kg/m³
Kinematic viscosity : 1,005 mm²/s
Vapor pressure : 0,00 MPa

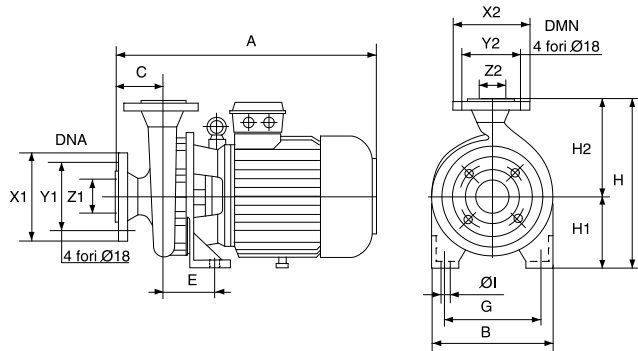
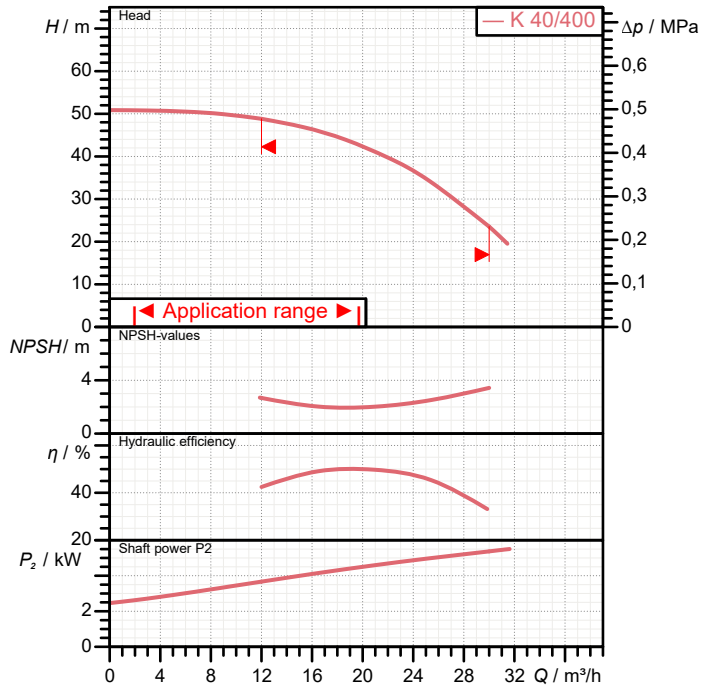
Hydraulic data (duty point)

Flow :
Head :
NPSH :
Shaft power P₂ :
Efficiency :

Materials

Pump body : Cast iron 200 UNI ISO 185
Support : Cast iron 200 UNI ISO 185
Impeller : Cast iron 200 UNI ISO 185
Mechanical seal : Carbon/Ceramic
O-Ring : NBR Rubber
Shaft with rotor : AISI 304 X5 Cr Ni 1810 UNI 6900/71

Curve tolerance according to ISO 9906



Weight : 79 kg

Motor data

Motor brand : DAB
Nominal power P₂ : 5,5 kW
Rated speed : 2.900 1/min
Rated voltage : 3~ 400 V 50 Hz
Nominal current : 11,5 A
Degree of protection : IP 55

Dimensions in mm

A	560	Y1	145
B	273	Y2	125
C	100	Z1	65
DNA	65	Z2	50
DNM	50		
E	110		
G	212		
H	360		
H1	160		
H2	200		
IØ	14		
X1	185		
X2	165		

Pump connection

Suction side : DN 65 / 1 MPa
Discharge side : DN 50 / 1 MPa



PERFORMANCE CURVES

2023-03-17

Page 2 / 3

DAB PUMPS S.p.A.
Via Marco Polo, 14 - 35035 Mestrino (PD), Italy
Tel. +39 049 5125000 - Fax +39 049 5125950
www.dabpumps.com

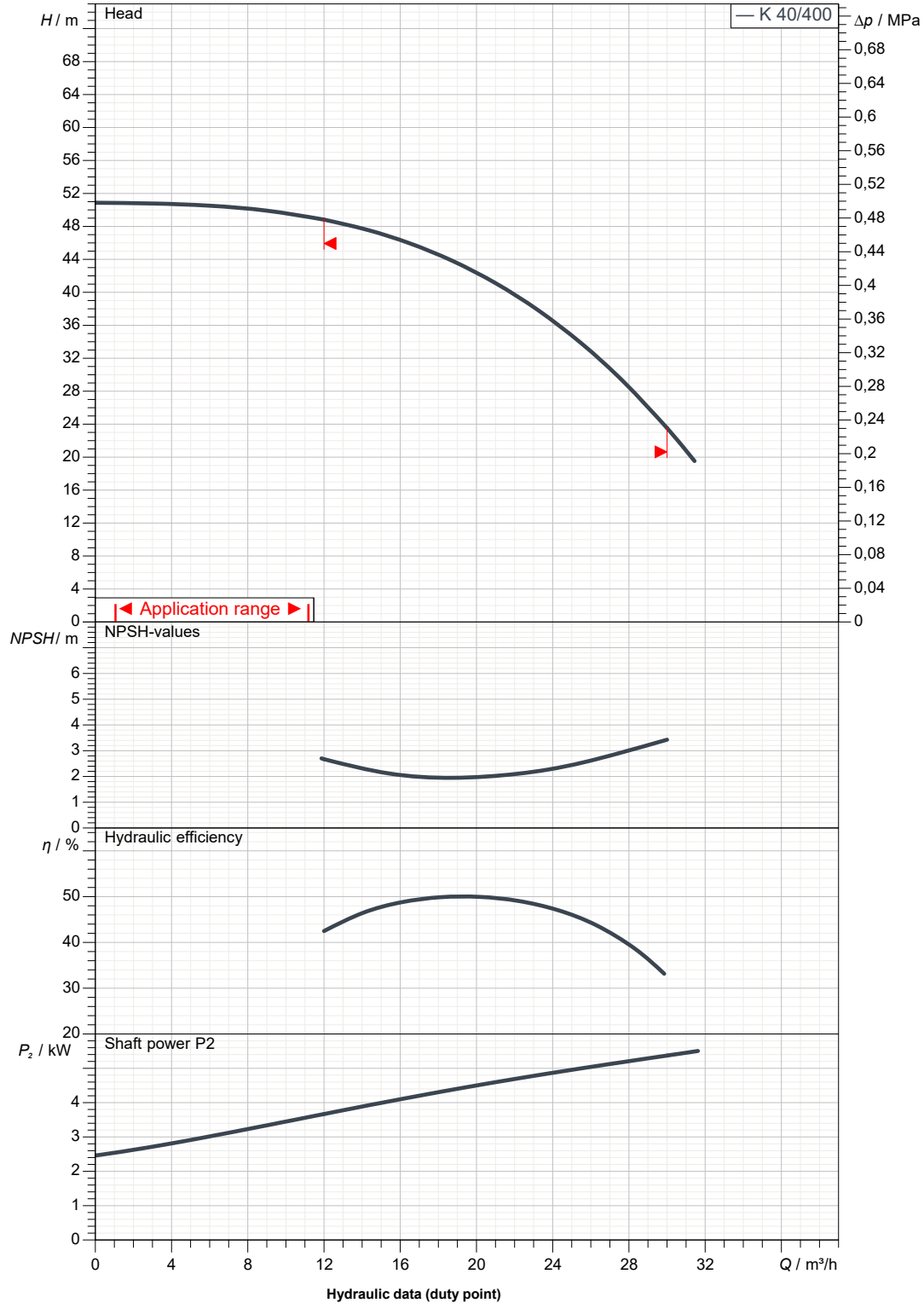
Receiver

From

Company
Reference
Address
Phone
Fax
E-mail

K 40/400 T IE3

Curve tolerance according to ISO 9906



Suction side :
DN 65
1 MPa

Discharge side :
DN 50
1 MPa

Flow :

Head :

Rated speed :
2.900 1/min

MAIN_PROJECT_TITLE

BUSINESS_PROCESS_IC

OWNER_

ISSUE_DATE
2023-03-17



DIMENSIONAL DRAWING

2023-03-17

Page 3 / 3

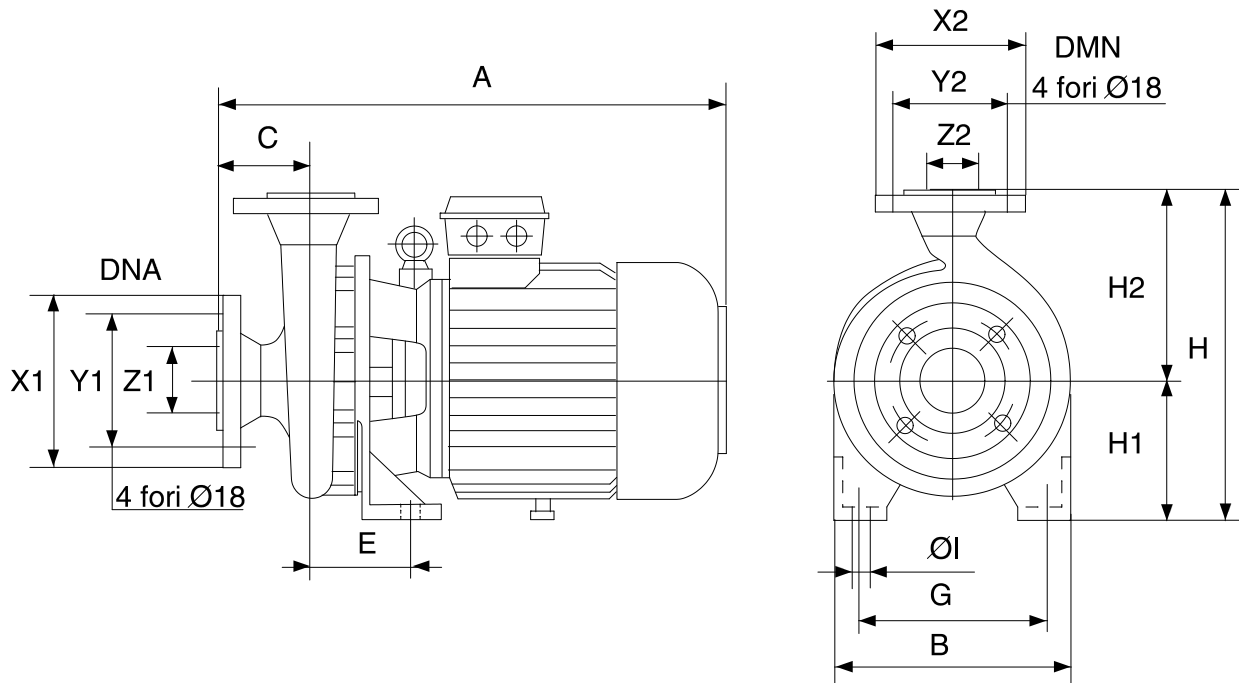
DAB PUMPS S.p.A.
Via Marco Polo, 14 - 35035 Mestrino (PD), Italy
Tel. +39 049 5125000 - Fax +39 049 5125950
www.dabpumps.com

Receiver

From

Company
Reference
Address
Phone
Fax
E-mail

K 40/400 T IE3



Dimensions in mm

Pump connection

1	A	560	X1	185		
2	B	273	X2	165		Suction
3	C	100	Y1	145		DN 65
4	DNA	65	Y2	125		1 MPa
5	DNM	50	Z1	65		
6	E	110	Z2	50		Discharge
7	G	212				DN 50
8	H	360				1 MPa
9	H1	160				
10	H2	200				
11	∅	14				

MAIN_PROJECT_TITLE

BUSINESS_PROCESS_ID

OWNER

ISSUE_DATE

2023-03-17