

Receiver

From

Company
Reference
Address
Phone
Fax
E-mail

Item n° : 60182108
Customer pos. no.:
Model : KLP 65-2000 T IE3

Pump data
MEI ≥ 0,4
Pressure rating : 1 MPa
Min. fluid temperature : -15 °C
Max. fluid temperature : 120 °C
Max. Ambient temperature : 40 °C

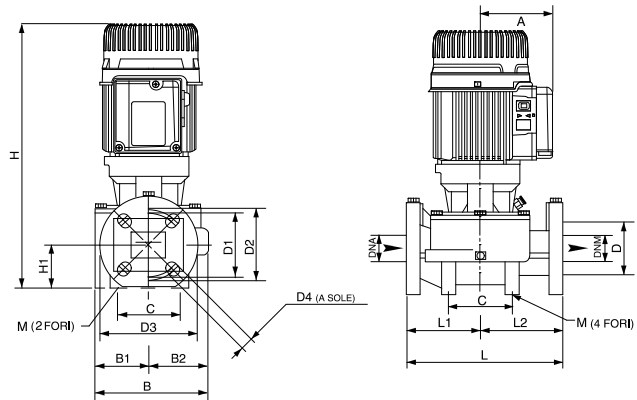
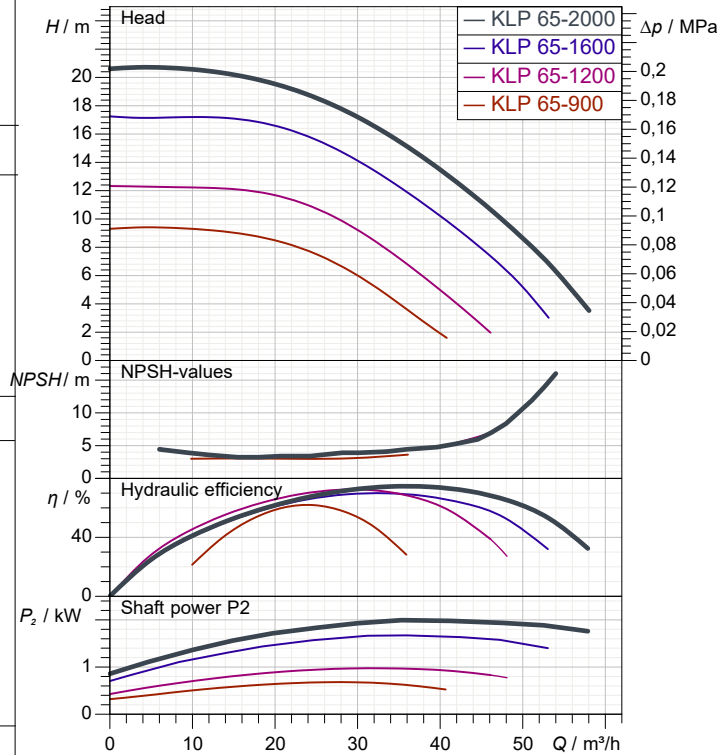
Requested data
Flow :
Head :
Fluid (%) :
Fluid Temperature : 20 °C
Density : 998,3 kg/m³
Kinematic viscosity : 1,005 mm²/s
Vapor pressure : 0,00 MPa

Hydraulic data (duty point)
Flow :
Head :
NPSH :
Shaft power P2 :
Efficiency :

Materials
Pump body : Cast iron 250 UNI ISO 185
Support : Cast iron 250 UNI ISO 185
Impeller : Technopolymer B
Mechanical seal : Carbon/Ceramic
O-Ring : EPDM Rubber
Shaft with rotor : AISI 303 X10 CrNiS 1809 UNI 6900/71

Motor data
Motor brand : DAB
Nominal power P2 : 2 kW
Rated speed : 2.828 1/min
Rated voltage : 3~ 230 V 50 Hz
Nominal current : 8,08 A
Degree of protection : IP 55

Curve tolerance according to ISO 9906



Weight : 38,2 kg

Dimensions in mm

A	118	D4	4 asole 18;	M	2 fori 12
B	228	DNA	65		
B1	99	DNM	65		
B2	129	H	517		
D	110	H1	82		
D1	130	L	340		
D2	145	L1	170		
D3	185	L2	170		

Pump connection

Suction side : DN 65 / 1 MPa
Discharge side : DN 65 / 1 MPa



PERFORMANCE CURVES

2023-03-17

Page 2 / 3

DAB PUMPS S.p.A.
Via Marco Polo, 14 - 35035 Mestrino (PD), Italy
Tel. +39 049 5125000 - Fax +39 049 5125950
www.dabpumps.com

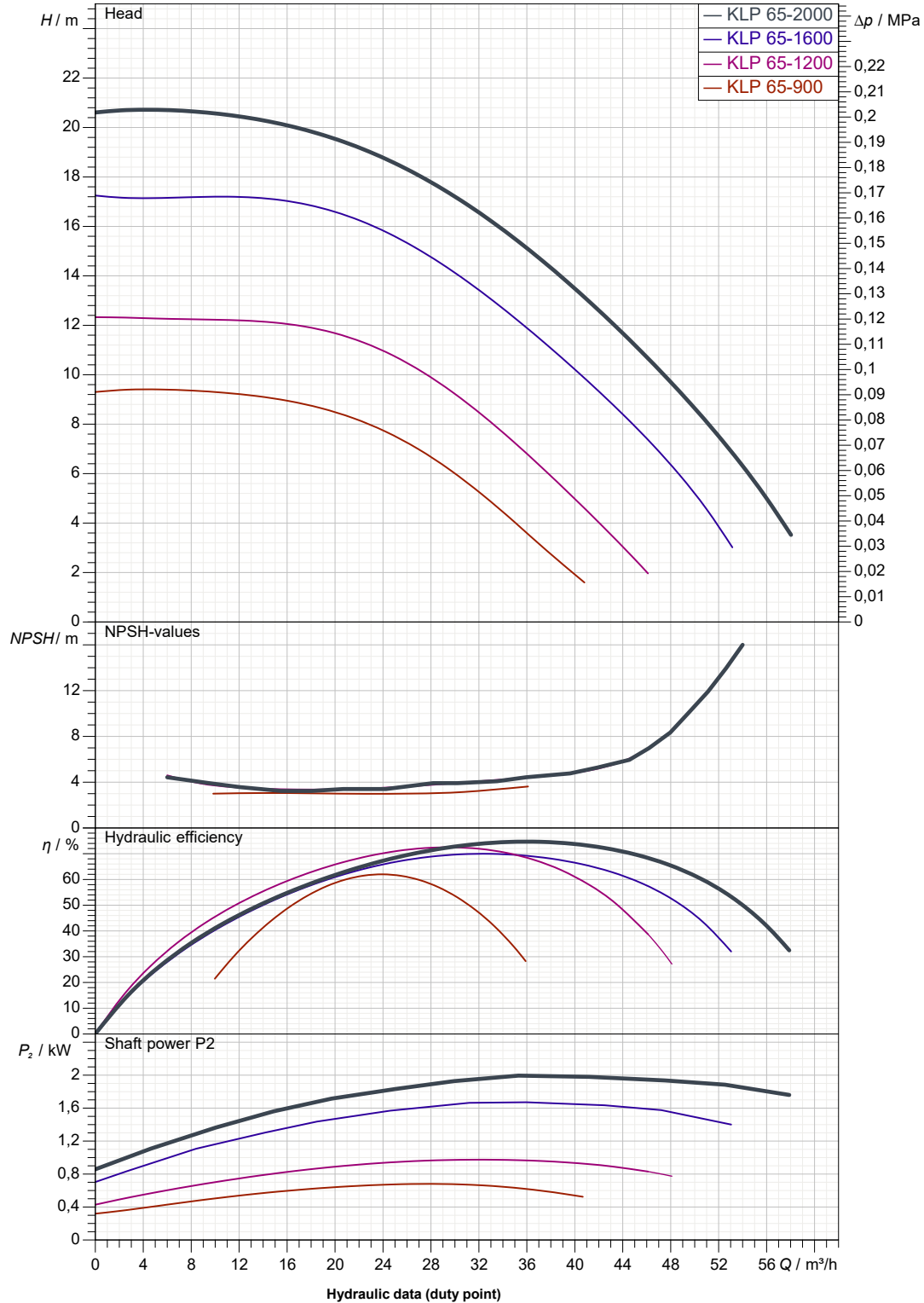
Receiver

From

Company
Reference
Address
Phone
Fax
E-mail

KLP 65-2000 T IE3

Curve tolerance according to ISO 9906



Suction side :
DN 65
1 MPa

Discharge side :
DN 65
1 MPa

Flow :

Head :

Rated speed :
2.828 1/min

MAIN_PROJECT_TITLE

BUSINESS_PROCESS_ID

OWNER_

ISSUE_DATE
2023-03-17



DIMENSIONAL DRAWING

2023-03-17

Page 3 / 3

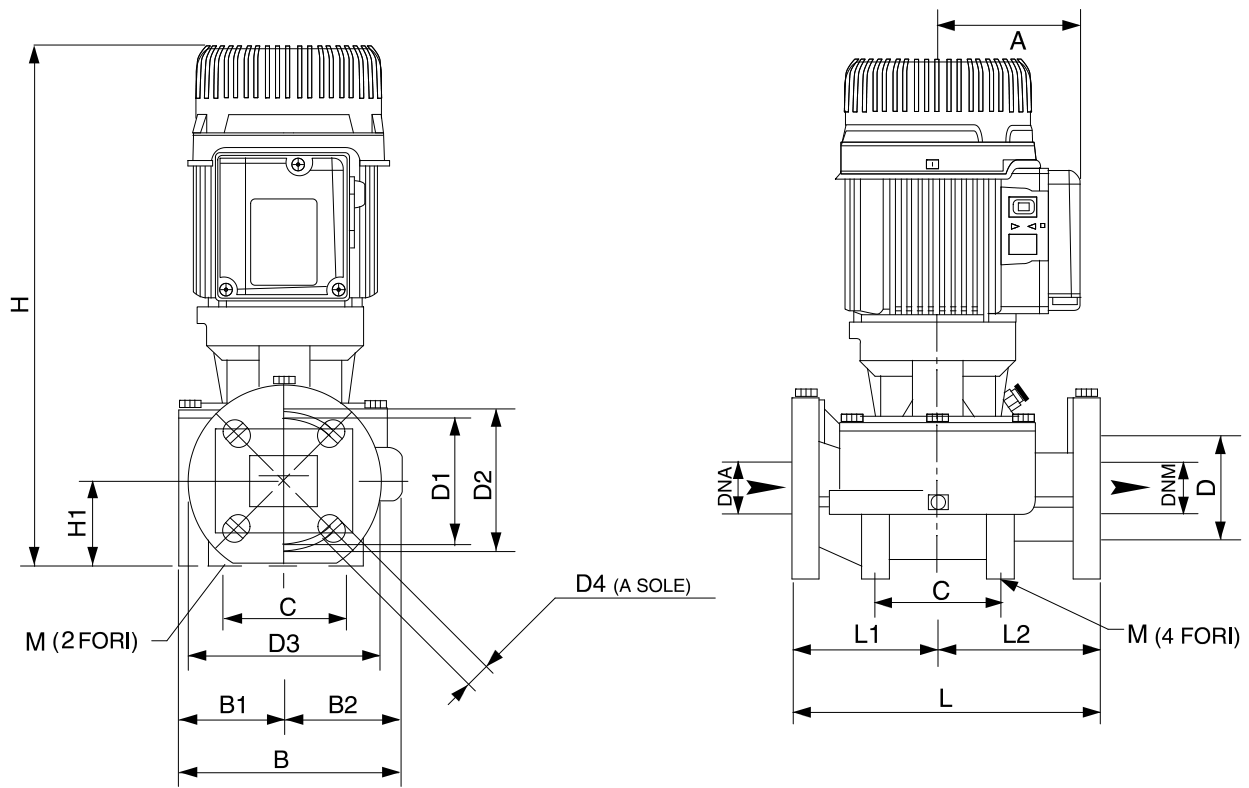
DAB PUMPS S.p.A.
Via Marco Polo, 14 - 35035 Mestrino (PD), Italy
Tel. +39 049 5125000 - Fax +39 049 5125950
www.dabpumps.com

Receiver

From

Company
Reference
Address
Phone
Fax
E-mail

KLP 65-2000 T IE3



Dimensions in mm					Pump connection	
1	A	118	H	517	Suction DN 65 1 MPa Discharge DN 65 1 MPa	
2	B	228	H1	82		
3	B1	99	L	340		
4	B2	129	L1	170		
5	D	110	L2	170		
6	D1	130	M	2 fori 12		
7	D2	145				
8	D3	185				
9	D4	4 asole 18x23				
10	DNA	65				
11	DNM	65				

MAIN_PROJECT_TITLE	BUSINESS_PROCESS_ID	OWNER	ISSUE_DATE 2023-03-17
--------------------	---------------------	-------	---------------------------------