

Receiver

From

Society
Reference
Address
Phone
Fax
E-mail

Item n° :

Model :

3 ESYBOX MAX 85/120 T

Pump data

Pressure rating : 12 bar (1200 KPa)
Constant pressure range: 1-12 bar (3 bar by default)
Min. fluid temperature : 0 °C
Max. fluid temperature : 50 °C
Max. Ambient temperature : 55 °C

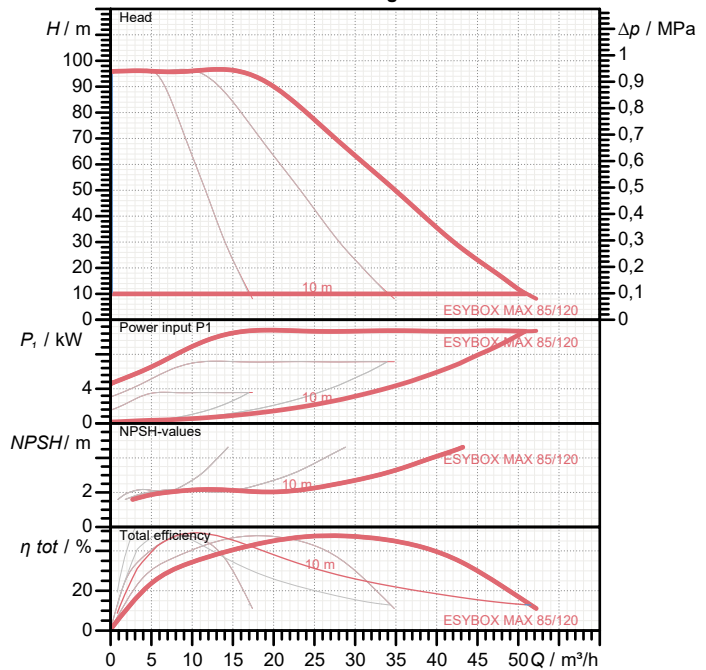
Requested data

Flow :
Head :
Fluid : Water
Fluid Temperature : 20 °C
Density : 998,3 kg/m³
Kinematic viscosity : 1,005 mm²/s
Vapor pressure : 2,34 kPa

Materials

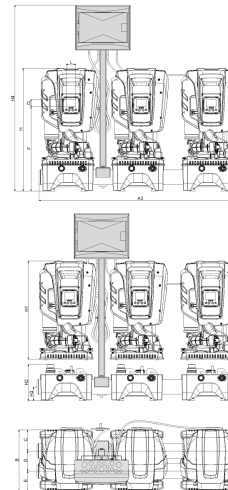
| | |
|-----------------------|---|
| Fitting | Technopolymer PA66 30%GF |
| Manifold | Stainless Steel AISI 304 |
| Flange | Technopolymer PA66 30%GF |
| Pump body | Technopolymer PA66 30%GF |
| Pump body ring | Technopolymer PP 30%GF |
| Impeller | Technopolymer PP 30%GF/AISI 304 |
| Diffuser | Technopolymer PP 30%GF/AISI 304 |
| Motor axis | Stainless Steel AISI 303 |
| OR ring | EPDM |
| Motor flange | Technopolymer PA66 30%GF |
| Mechanical seal | Impregnated carbon-resin/Silicon carbide/EPDM |
| Motor liner | Stainless Steel AISI 304 |
| Motor body | Technopolymer PA66 30%GF |
| Conveyor tube | Technopolymer PP 30%GF |
| Pressure sensor | Nylon/EPDM |
| Non-return valve | POM/EPDM/AISI 302 |
| Non-return valve body | Technopolymer PA66 30%GF |
| Tank | Noryl/Rubber |
| Delivery body | Technopolymer PA66 30%GF |
| Outer liner | Stainless Steel AISI 304 |

Curve tolerance according to ISO 9906



Hydraulic data (duty point)

Flow :
Head :



*Without the pillar kit and panel, do not consider the H4

Dimensions in mm

| | | | | | |
|-----|-------|----|-------|----|-------|
| A2 | 1,250 | E | 127,7 | H3 | 87 |
| B | 384 | F | 526 | H4 | 1.158 |
| C | 131,8 | G | 45 | L | 59,5 |
| D | 124,5 | H | 766 | | |
| DNA | 2" | H1 | 613 | | |
| DNM | 2" | H2 | 228 | | |

Weight : 117 kg

Pump connection

Suction side : 2" G / 12 bar (1200 KPa)
Discharge side : 2" G / 12 bar (1200 KPa)

Motor data

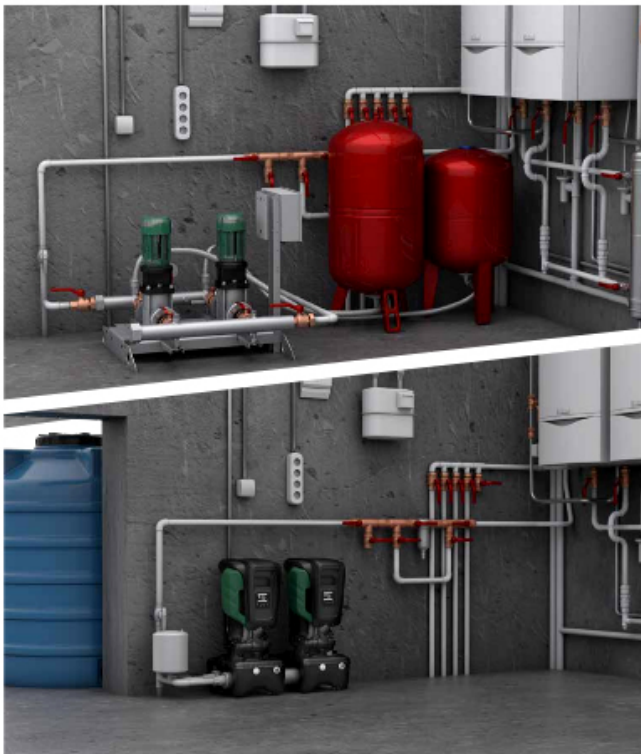
Power input P1 : 3 x 3,5 kW
Maximum speed : 5.350 1/min
Rated voltage : 3~ 380-460 V 50 Hz
Nominal current : 3 x 5,5 A
Degree of protection : IP X5

ENERGY SAVING

BEFORE

AFTER

- **20%**
Compared with
traditional inverter pump



D+CONNECT
BUILT-IN



As quick as a "click"





PERFORMANCE CURVES

2021-10-1€

Page 3 / 4

DAB PUMPS S.p.A.
Via Marco Polo, 14 - 35035 Mestrino (PD), Italy
Tel. +39 049 5125000 - Fax +39 049 5125950
www.dabpumps.com

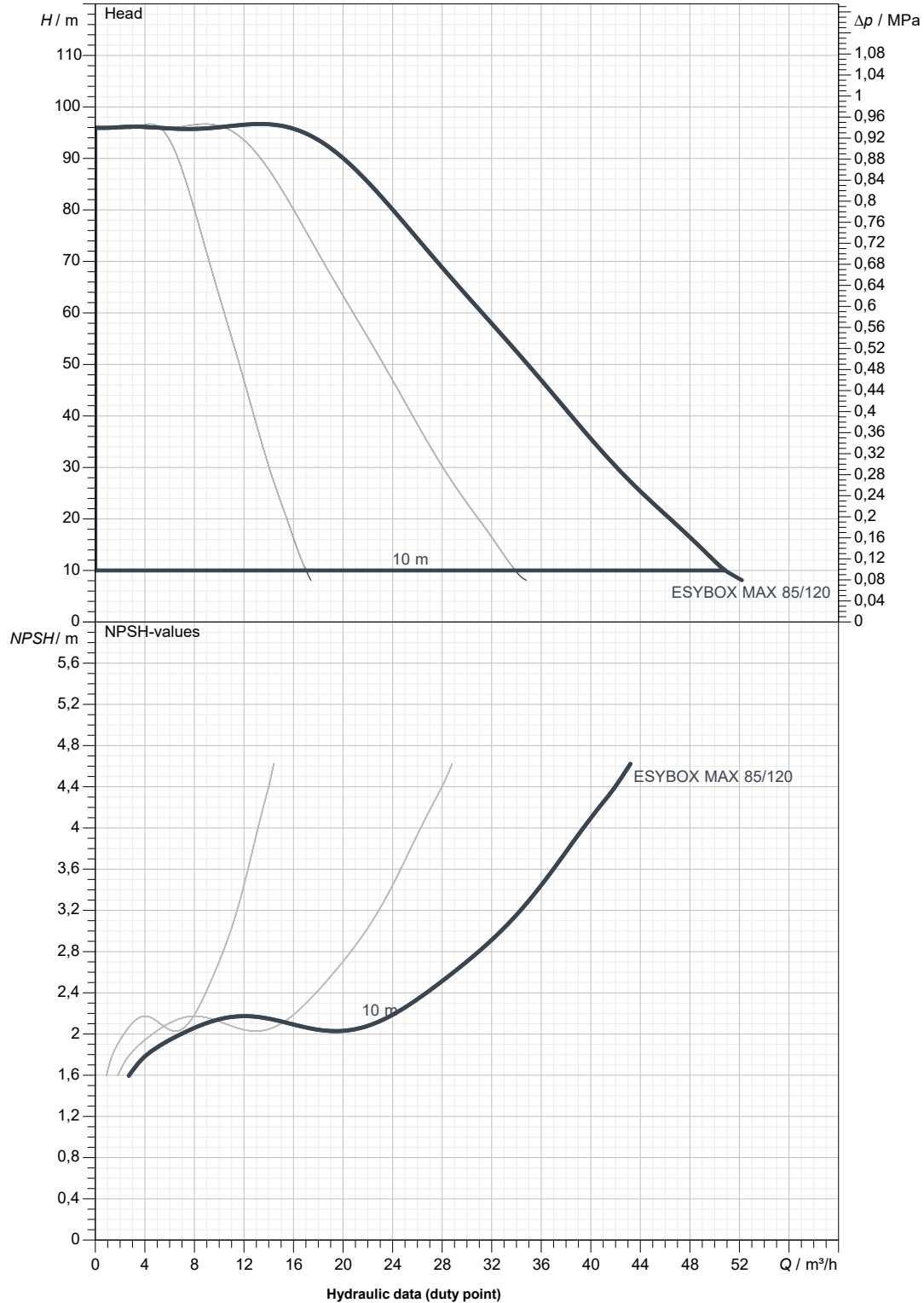
Receiver

From

Society
Reference
Address
Phone
Fax
E-mail

3 ESYBOX MAX 85/120 T

Curve tolerance according to ISO 9906



| | | | | |
|---|---|--------|--------------------------|------------------------------|
| Suction side : 2" G 12 bar (1200 KPa) | Discharge side : 2" G 12 bar (1200 KPa) | Flow : | Head : | Rated speed : 5.350 1/min |
| MAIN_PROJECT_TITLE | BUSINESS_PROCESS_ID | OWNER_ | ISSUE_DATE 2021-10-19 | |



DIMENSIONAL DRAWING

DAB PUMPS S.p.A.
Via Marco Polo, 14 - 35035 Mestrino (PD), Italy
Tel. +39 049 5125000 - Fax +39 049 5125950
www.dabpumps.com

2021-10-1€

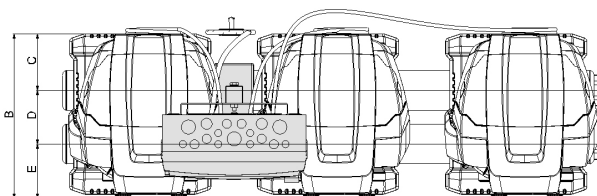
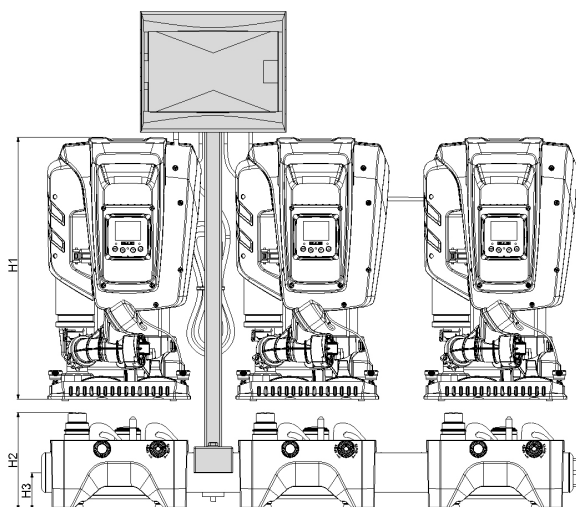
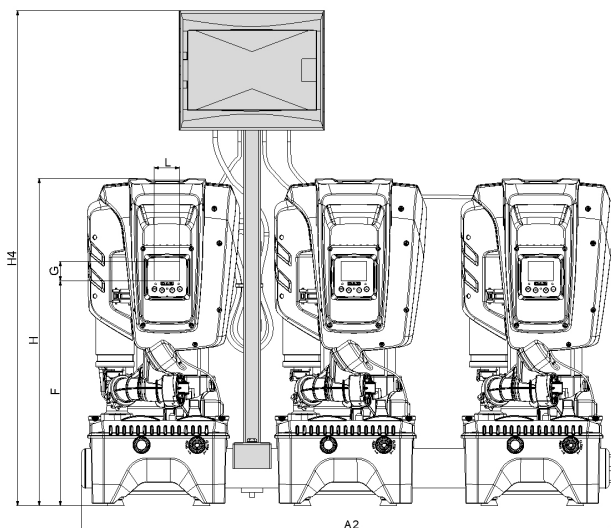
Page 4 / 4

Receiver

From

Society
Reference
Address
Phone
Fax
E-mail

3 ESYBOX MAX 85/120 T



*Without the pillar kit and panel, do not consider the H4

| Dimensions in mm | | | | | | Pump connection |
|------------------|-----|-------|----|-------|--|--|
| 1 | A2 | 1.250 | H3 | 87 | | Suction 2" G 12 bar (1200 KPa) Discharge 2" G 12 bar (1200 KPa) |
| 2 | B | 384 | H4 | 1.158 | | |
| 3 | C | 131,8 | L | 59,5 | | |
| 4 | D | 124,5 | | | | |
| 5 | DNA | 2" | | | | |
| 6 | DNM | 2" | | | | |
| 7 | E | 127,7 | | | | |
| 8 | F | 526 | | | | |
| 9 | G | 45 | | | | |
| 10 | H | 766 | | | | |
| 11 | H1 | 613 | | | | |
| 12 | H2 | 228 | | | | |

| | | | |
|--------------------|---------------------|-------|---------------------------------|
| MAIN_PROJECT_TITLE | BUSINESS_PROCESS_ID | OWNER | ISSUE_DATE 2021-10-19 |
|--------------------|---------------------|-------|---------------------------------|