



PERFORMANCE CURVES

2023-03-17

Page 2 / 3

DAB PUMPS S.p.A.
Via Marco Polo, 14 - 35035 Mestrino (PD), Italy
Tel. +39 049 5125000 - Fax +39 049 5125950
www.dabpumps.com

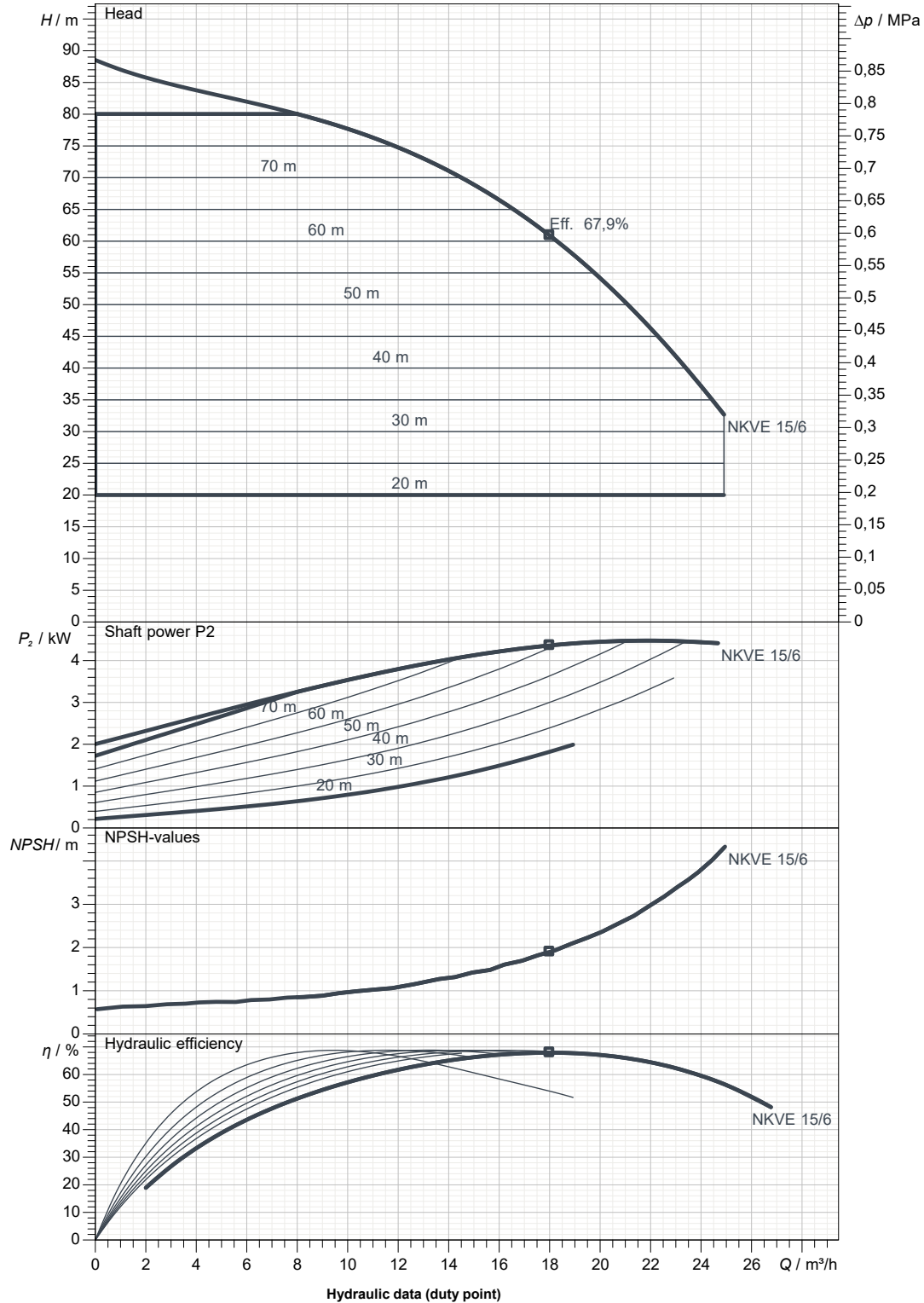
Receiver

From

Company
Reference
Address
Phone
Fax
E-mail

NKVE 15/6 S T E1 MCE55/P IE3

Curve tolerance according to ISO 9906



Suction side : DN 50 2,5 MPa	Discharge side : DN 50 2,5 MPa	Flow :	Head :	Rated speed : 2.935 1/min
MAIN_PROJECT_TITLE	BUSINESS_PROCESS_ID	OWNER_	ISSUE_DATE 2023-03-17	



DIMENSIONAL DRAWING

2023-03-17

Page 3 / 3

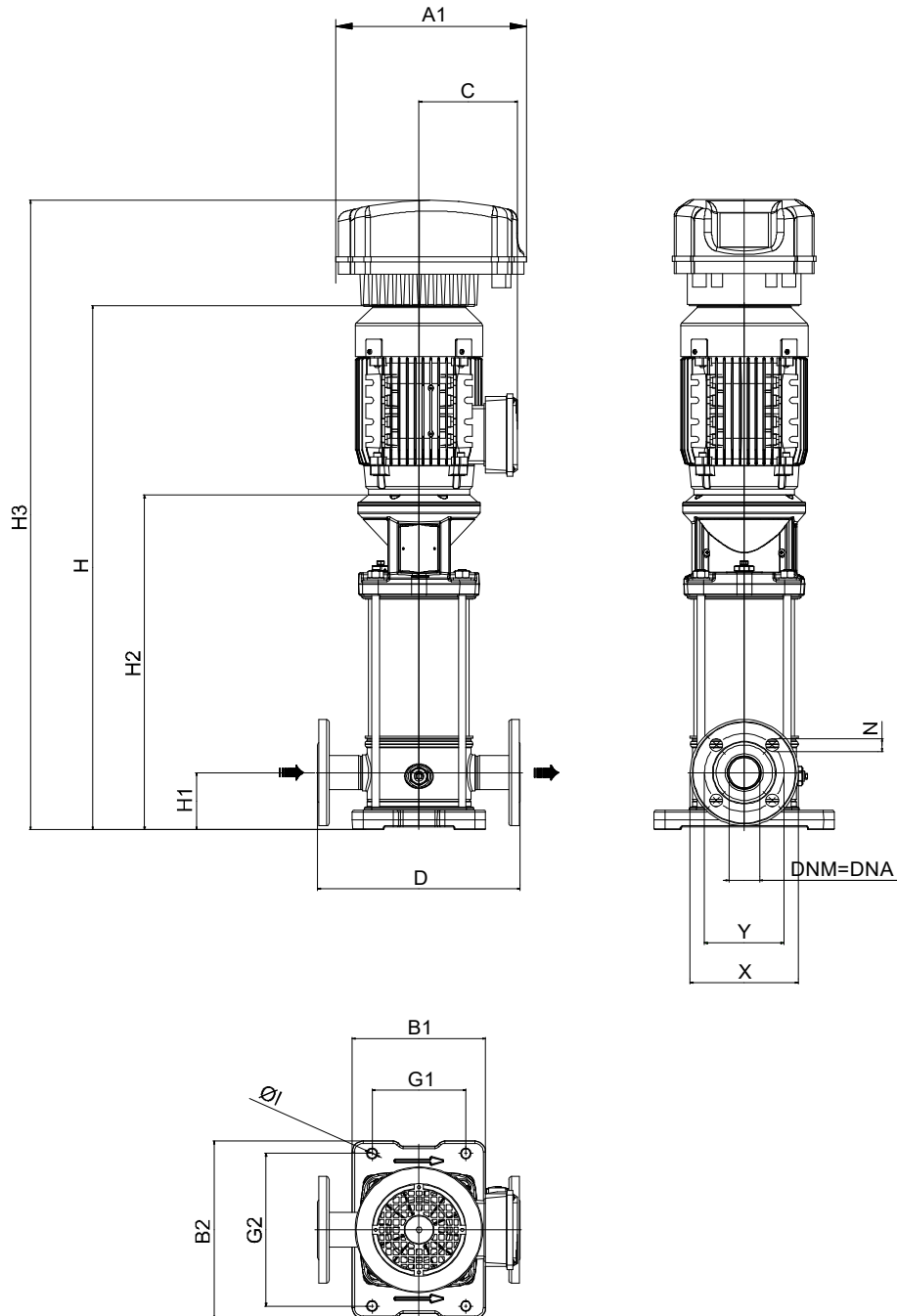
DAB PUMPS S.p.A.
Via Marco Polo, 14 - 35035 Mestrino (PD), Italy
Tel. +39 049 5125000 - Fax +39 049 5125950
www.dabpumps.com

Receiver

From

Company
Reference
Address
Phone
Fax
E-mail

NKVE 15/6 S T E1 MCE55/P IE3



Dimensions in mm						Pump connection	
1	A1	352	H2	800			
2	B1	185	H3	1.328		Suction	
3	B2	250	N	19		DN 50	
4	C	160	Ø1	13		2,5 MPa	
5	D	300	X	165			
6	DNA	50	Y	127			
7	DNM	50				Discharge	
8	G1	130				DN 50	
9	G2	215				2,5 MPa	
10	H	1.128					
11	H1	90					

MAIN_PROJECT_TITLE	BUSINESS_PROCESS_ID	OWNER	ISSUE_DATE 2023-03-17
--------------------	---------------------	-------	---------------------------------