

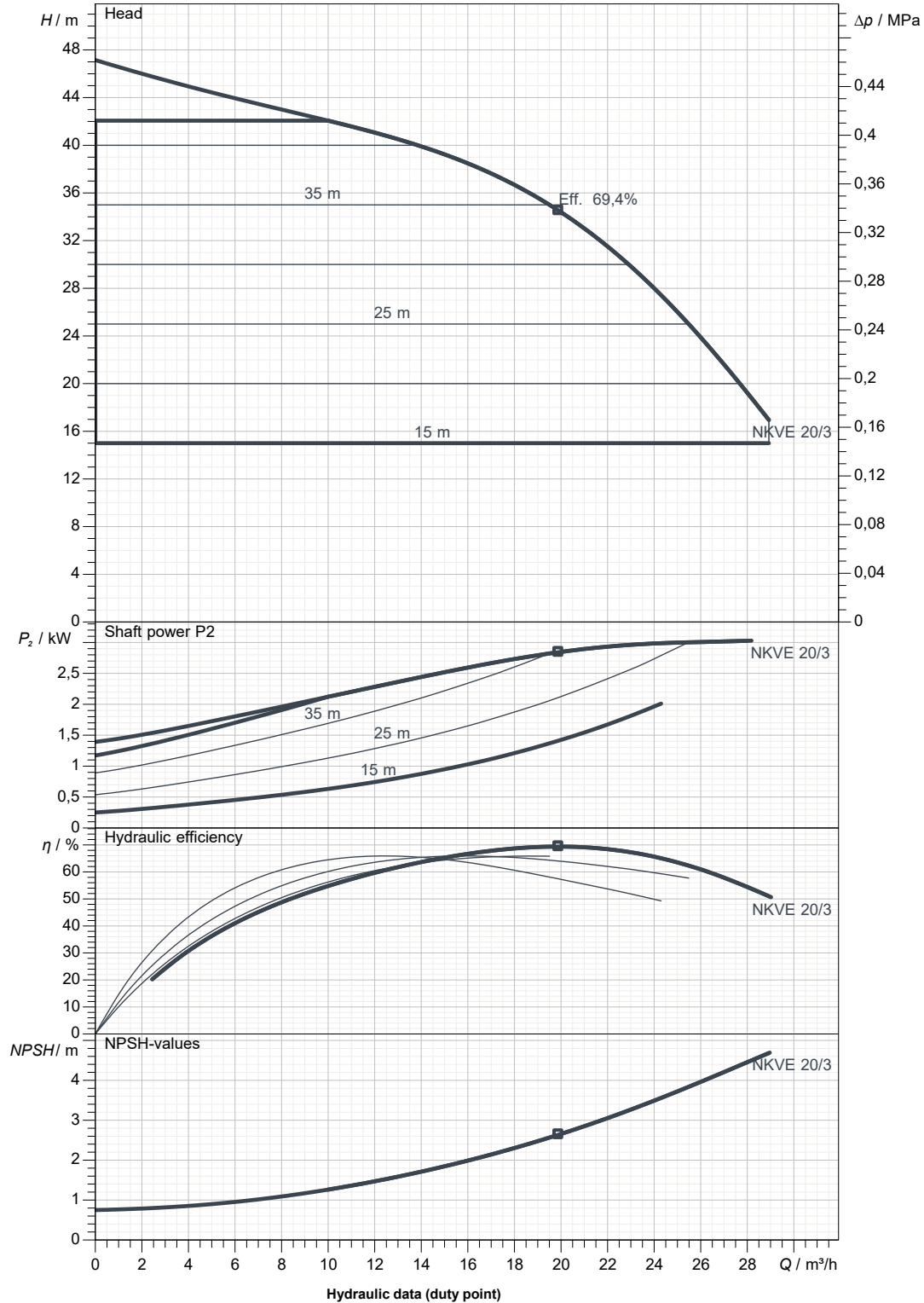
Receiver

From

 Company
 Reference
 Address
 Phone
 Fax
 E-mail

NKVE 20/3 S T E1 MCE30/P IE3

Curve tolerance according to ISO 9906


 Suction side :
 DN 50
 2,5 MPa

 Discharge side :
 DN 50
 2,5 MPa

Flow :

Head :

 Rated speed :
 2.900 1/min

MAIN_PROJECT_TITLE

BUSINESS_PROCESS_ID

OWNER_

 ISSUE_DATE
2023-03-17



DIMENSIONAL DRAWING

DAB PUMPS S.p.A.
Via Marco Polo, 14 - 35035 Mestrino (PD), Italy
Tel. +39 049 5125000 - Fax +39 049 5125950
www.dabpumps.com

2023-03-17

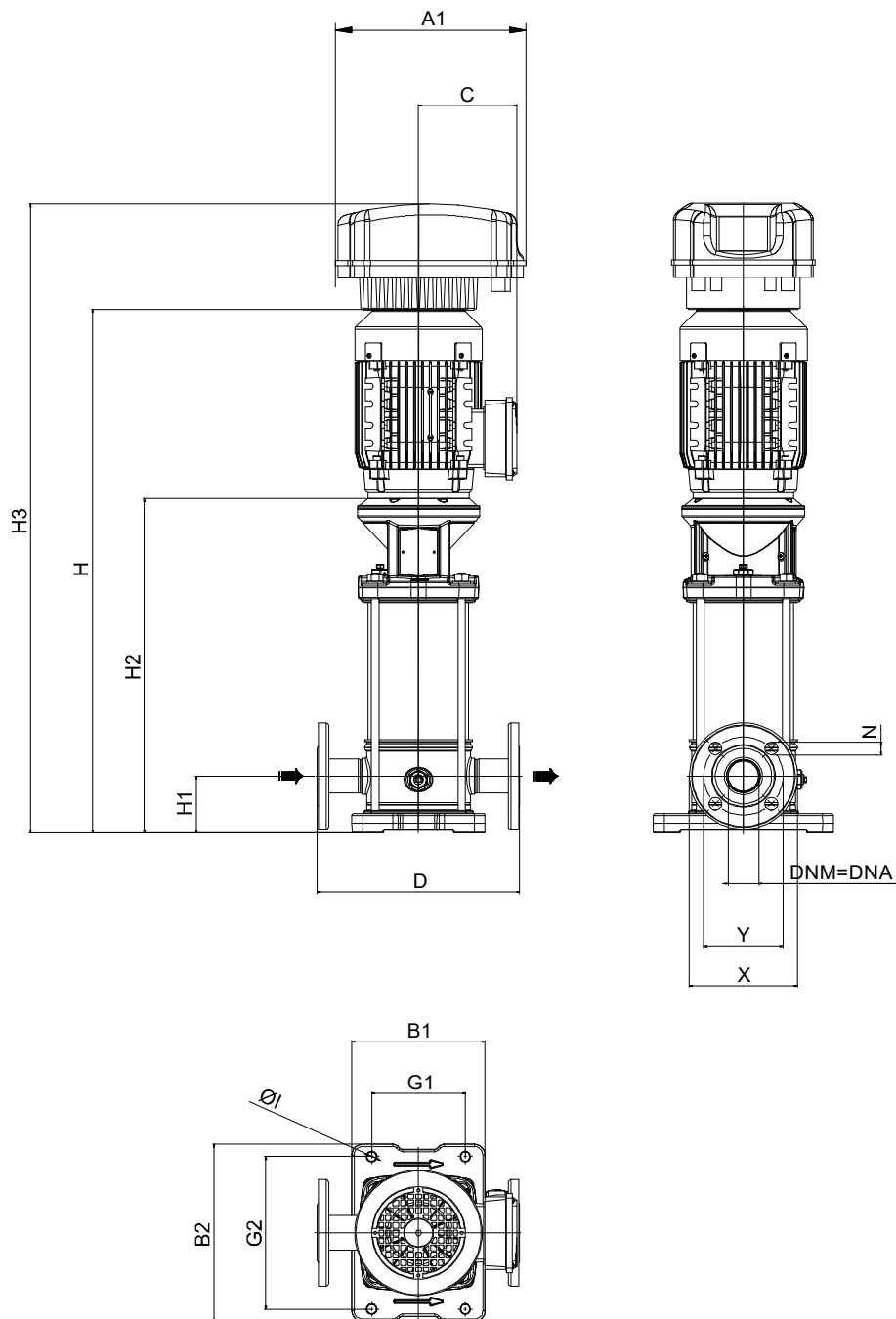
Page 3 / 3

Receiver

From

Company
Reference
Address
Phone
Fax
E-mail

NKVE 20/3 S T E1 MCE30/P IE3



Dimensions in mm

Pump connection

1	A1	352	H2	469	Suction DN 50 2,5 MPa Discharge DN 50 2,5 MPa
2	B1	185	H3	975	
3	B2	250	N	19	
4	C	145	Ø1	13	
5	D	300	X	165	
6	DNA	50	Y	127	
7	DNM	50			
8	G1	130			
9	G2	215			
10	H	775			
11	H1	90			

MAIN_PROJECT_TITLE

BUSINESS_PROCESS_ID

OWNER

ISSUE_DATE

2023-03-17