

Receiver

From

Society
Reference
Address
Phone
Fax
E-mail

Item n° :

Model :

1 ESYBOX MAX 85/120 T

Pump data

Pressure rating : 12 bar (1200 KPa)
Constant pressure range: 1-12 bar (3 bar by default)
Min. fluid temperature : 0 °C
Max. fluid temperature : 50 °C
Max. Ambient temperature : 55 °C

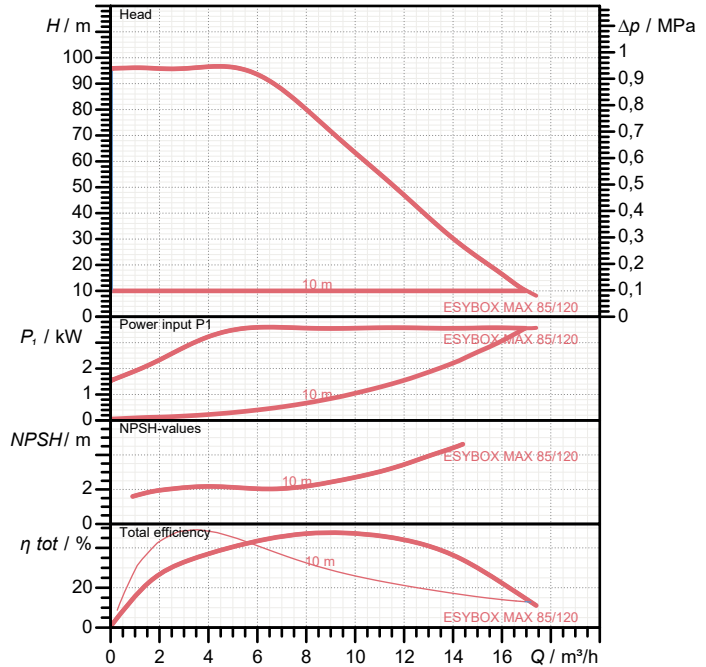
Requested data

Flow :
Head :
Fluid : Water
Fluid Temperature : 20 °C
Density : 998,3 kg/m³
Kinematic viscosity : 1,005 mm²/s
Vapor pressure : 2,34 kPa

Materials

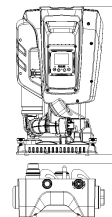
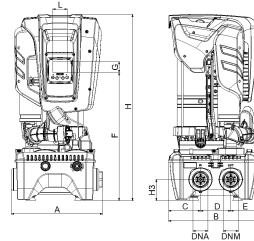
Fitting : Technopolymer PA66 30%GF
Manifold : Stainless Steel AISI 304
Flange : Technopolymer PA66 30%GF
Pump body : Technopolymer PA66 30%GF
Pump body ring : Technopolymer PP 30%GF
Impeller : Technopolymer PP 30%GF/AISI 304
Diffuser : Technopolymer PP 30%GF/AISI 304
Motor axis : Stainless Steel AISI 303
OR ring : EPDM
Motor flange : Technopolymer PA66 30%GF
Mechanical seal : Impregnated carbon-resin/Silicon carbide/EPDM
Motor liner : Stainless Steel AISI 304
Motor body : Technopolymer PA66 30%GF
Conveyor tube : Technopolymer PP 30%GF
Pressure sensor : Nylon/EPDM
Non-return valve : POM/EPDM/AISI 302
Non-return valve body : Technopolymer PA66 30%GF
Tank : Noryl/Rubber
Delivery body : Technopolymer PA66 30%GF
Outer liner : Stainless Steel AISI 304

Curve tolerance according to ISO 9906



Hydraulic data (duty point)

Flow :
Head :



Dimensions in mm

| | | | | | | | |
|-----|---------|----|-------|----|------|--|--|
| A | 375 | E | 127,7 | H3 | 87 | | |
| B | 384 | F | 526 | L | 59,5 | | |
| C | 131,8 | G | 45 | | | | |
| D | 124,5 | H | 766 | | | | |
| DNA | 1"1/4 - | H1 | 613 | | | | |
| DNM | 1"1/4 - | H2 | 228 | | | | |

Weight : 39 kg

Pump connection

Suction side : 1"1/4 - 2" G / 12 bar (1200 KPa)
Discharge side : 1"1/4 - 2" G / 12 bar (1200 KPa)

Motor data

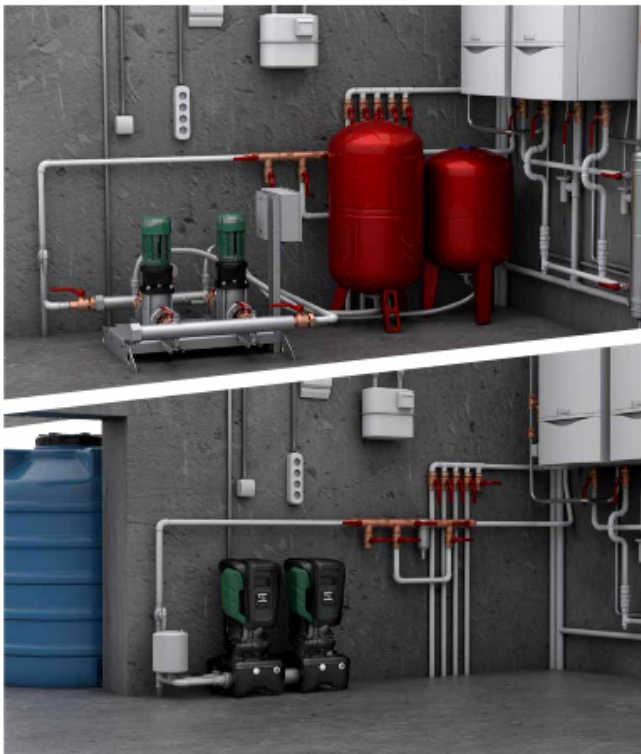
Power input P1 : 1 x 3,5 kW
Maximum speed : 5.350 1/min
Rated voltage : 3~ 380-460 V 50 Hz
Nominal current : 1 x 5,5 A
Degree of protection : IP X5

ENERGY SAVING

BEFORE

AFTER

- 20%
Compared with
traditional inverter pump



D+CONNECT
BUILT-IN



As quick as a "click"

OSA
ON SITE ASSEMBLY





PERFORMANCE CURVES

2021-10-1€

Page 3 / 4

DAB PUMPS S.p.A.
Via Marco Polo, 14 - 35035 Mestrino (PD), Italy
Tel. +39 049 5125000 - Fax +39 049 5125950
www.dabpumps.com

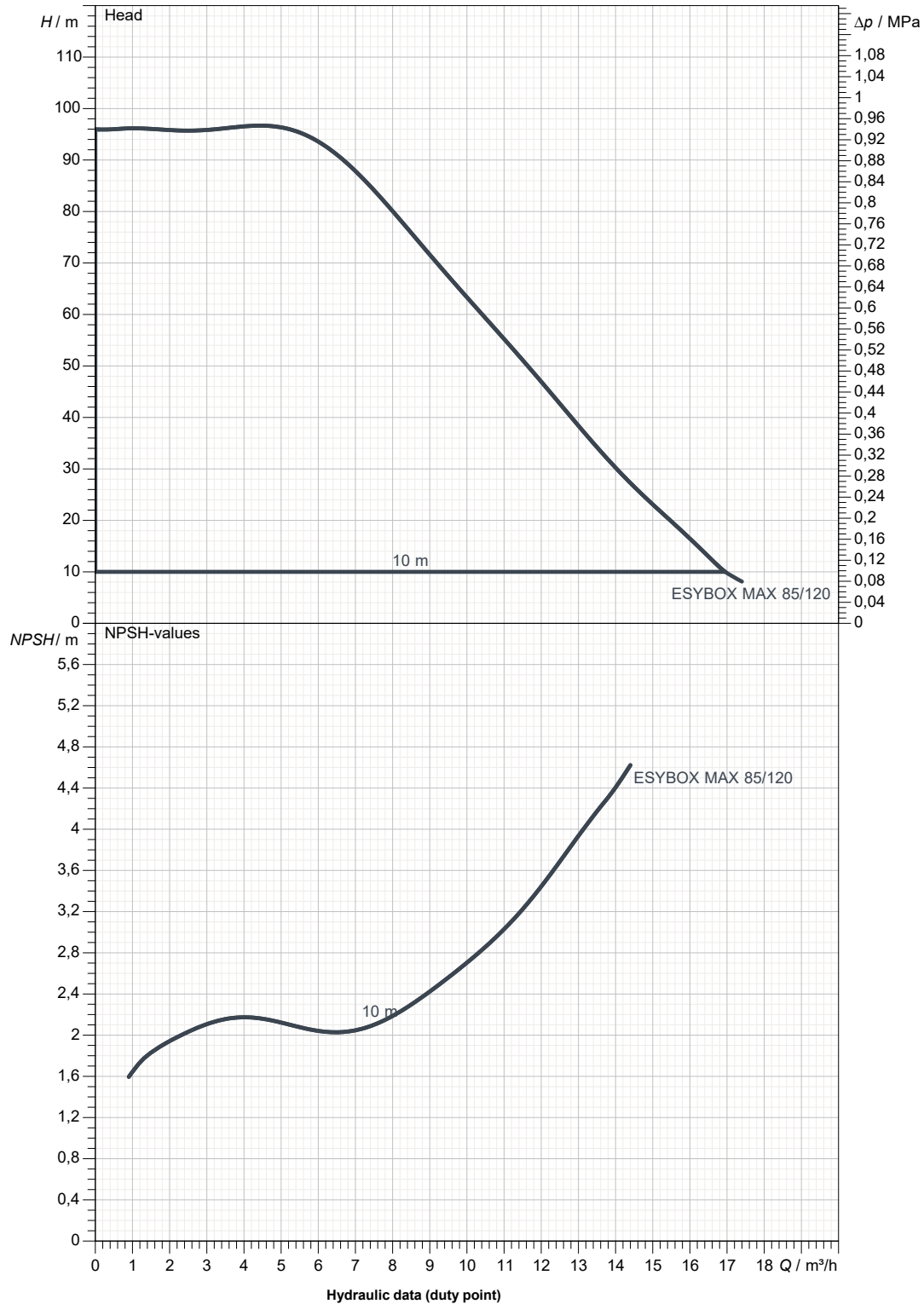
Receiver

From

Society
Reference
Address
Phone
Fax
E-mail

1 ESYBOX MAX 85/120 T

Curve tolerance according to ISO 9906



Suction side :
1"1/4 - 2" G
12 bar (1200 KPa)

Discharge side :
1"1/4 - 2" G
12 bar (1200 KPa)

Flow :

Head :

Rated speed :
5.350 1/min

MAIN_PROJECT_TITLE

BUSINESS_PROCESS_ID

OWNER_

ISSUE_DATE

2021-10-19



DIMENSIONAL DRAWING

DAB PUMPS S.p.A.
Via Marco Polo, 14 - 35035 Mestrino (PD), Italy
Tel. +39 049 5125000 - Fax +39 049 5125950
www.dabpumps.com

2021-10-1€

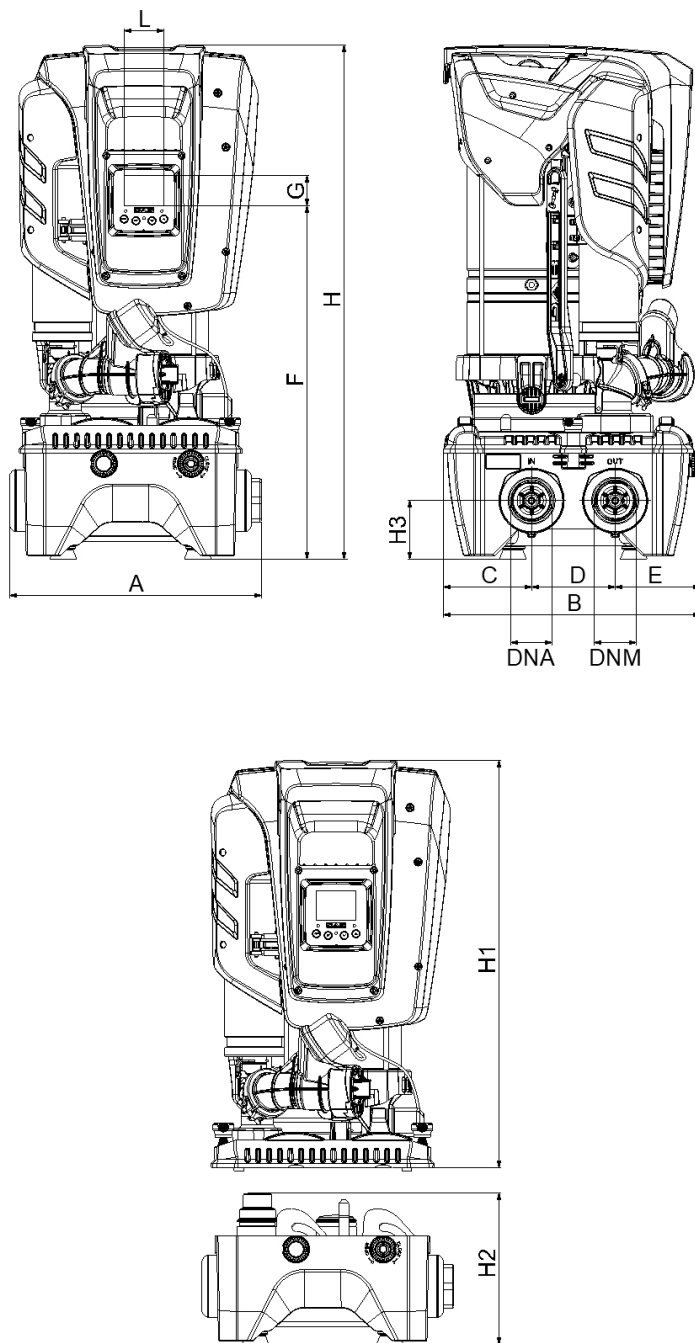
Page 4 / 4

Receiver

From

Society
Reference
Address
Phone
Fax
E-mail

1 ESYBOX MAX 85/120 T



Dimensions in mm

Pump connection

| | | | | | |
|----|-----|------------|----|------|--|
| 1 | A | 375 | H3 | 87 | Suction 1"1/4 - 2" G 12 bar (1200 KPa) Discharge 1"1/4 - 2" G 12 bar (1200 KPa) |
| 2 | B | 384 | L | 59,5 | |
| 3 | C | 131,8 | | | |
| 4 | D | 124,5 | | | |
| 5 | DNA | 1"1/4 - 2" | | | |
| 6 | DNM | 1"1/4 - 2" | | | |
| 7 | E | 127,7 | | | |
| 8 | F | 526 | | | |
| 9 | G | 45 | | | |
| 10 | H | 766 | | | |
| 11 | H1 | 613 | | | |
| 12 | H2 | 228 | | | |

MAIN_PROJECT_TITLE

BUSINESS_PROCESS_ID

OWNER_

ISSUE_DATE

2021-10-19