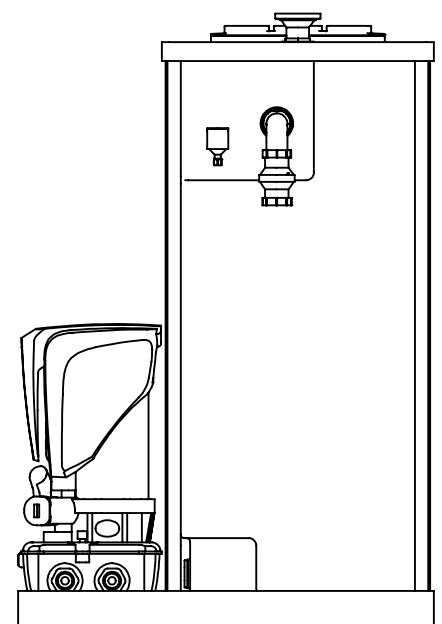
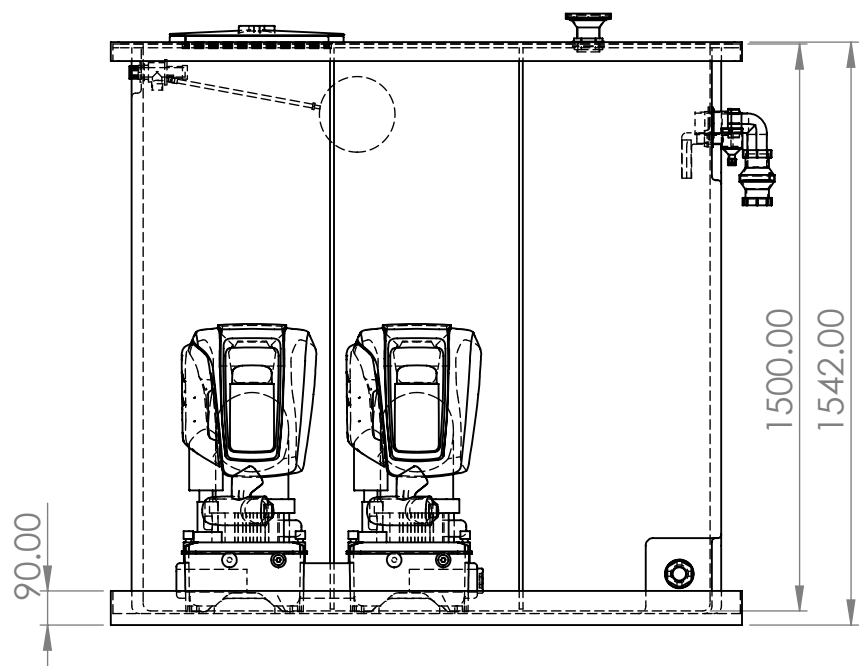
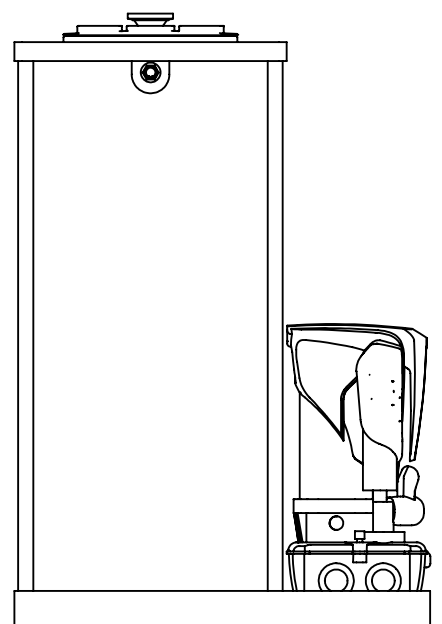
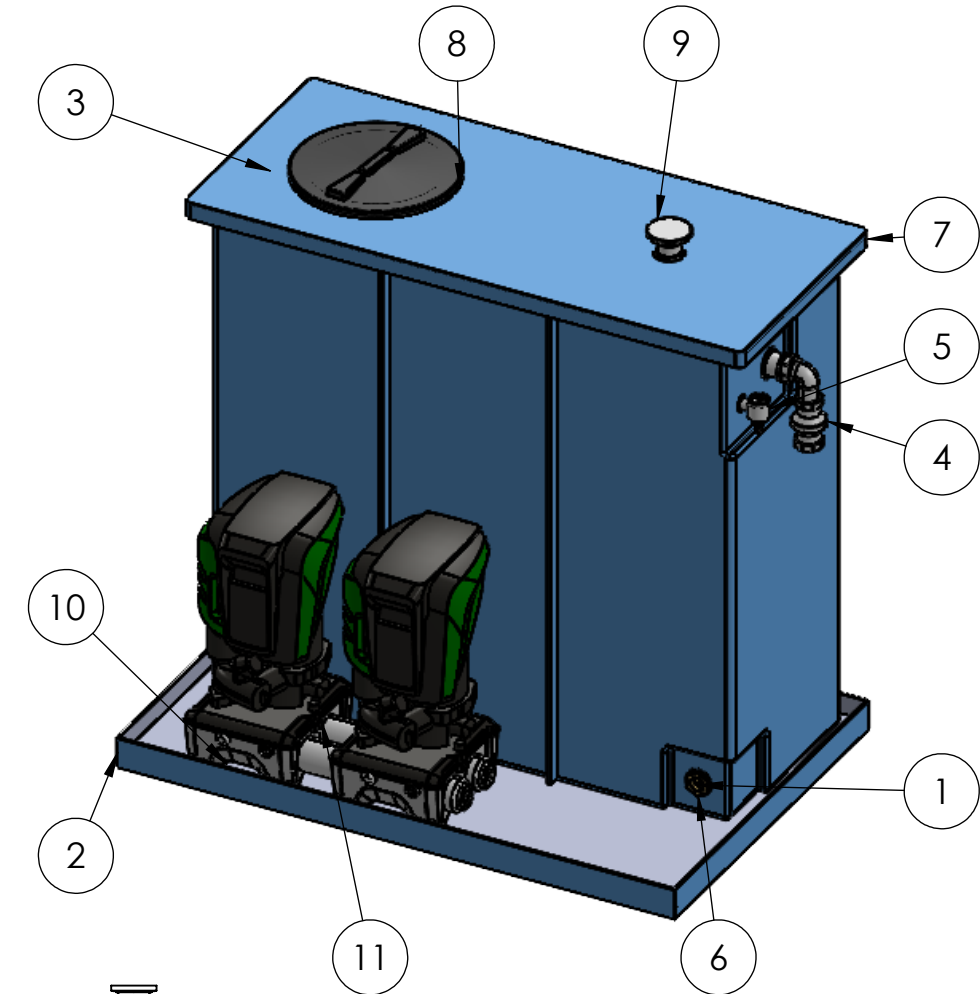
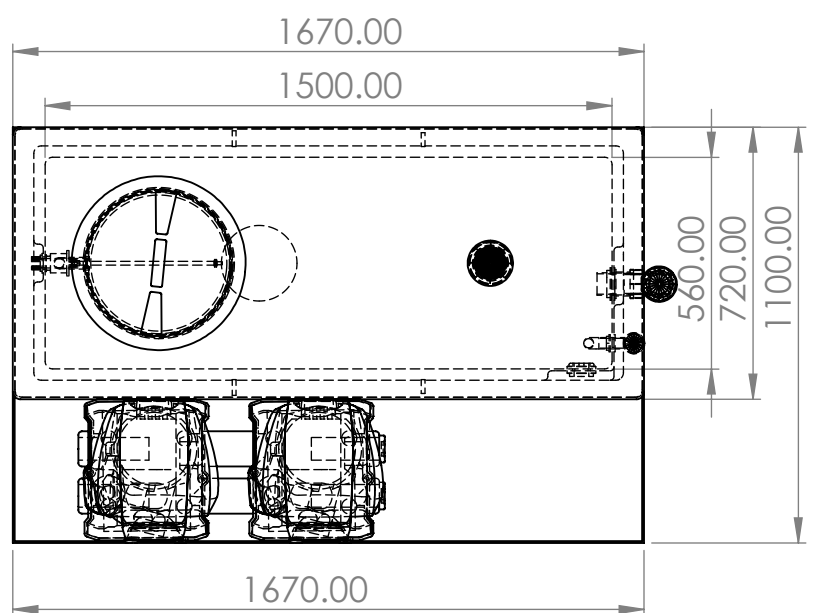


ITEM NO.	PART NUMBER	DESCRIPTION	QTY.
1	DAB1260 Tank	Int Dims L/W/H 1500 x 560 x 1500mm	1
2	DAB Condense Tray	Ext Dims L/W/H 1670 x 100 x 90mm	1
3	25mm Equilibrium Valve	Complete with copper float	1
4	2 Inch Screened Overflow		1
5	22mm Warning Pipe		1
6	1.25 Inch Brass Essex	Tank Connector	1
7	DAB1260 Preins Lid	Ext Dims L/W/H 1670 x 720 x 50mm	1
8	400 Round Hatch414		1
9	Screened Lid Vent		1
10	60198332_STP.stp		1
11	60195100_60199035_60199039_STP_.stp		2

DAB1260P + Eskybox Max 2



All Provisions are shown in standard locations
 If required differently Please amend prior to order
 I am signing to approve this drawing to progress my order into the build program
 I accept that I cannot cancel this order following my signature of approval

Name	Signature	Drawing approval date

DAB Pumps LTD
 Unit 6 Gilbert Court
 Newcomen Way
 Severalls Park
 Colchester
 CO4 9WN
WWW.dabpumps.com

