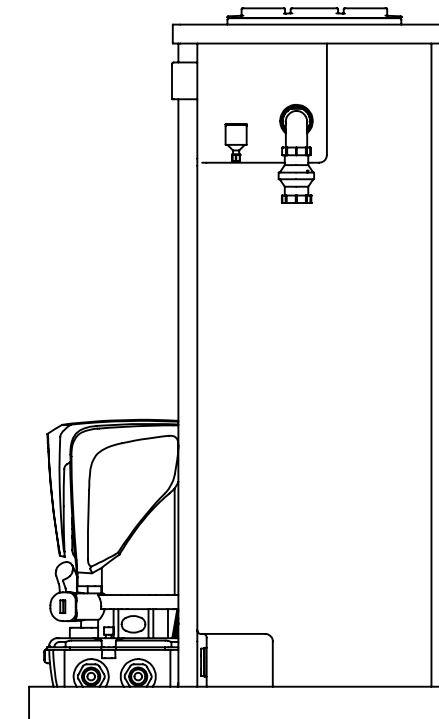
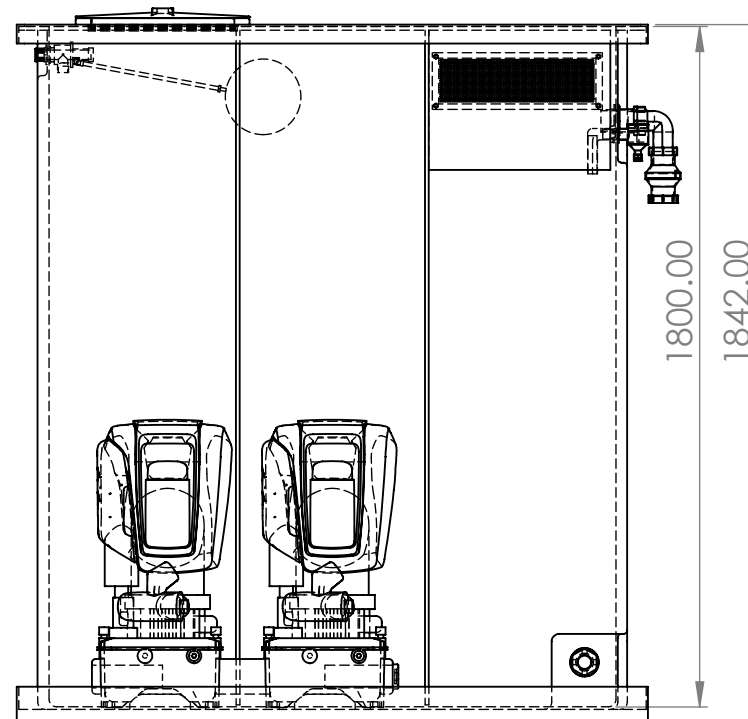
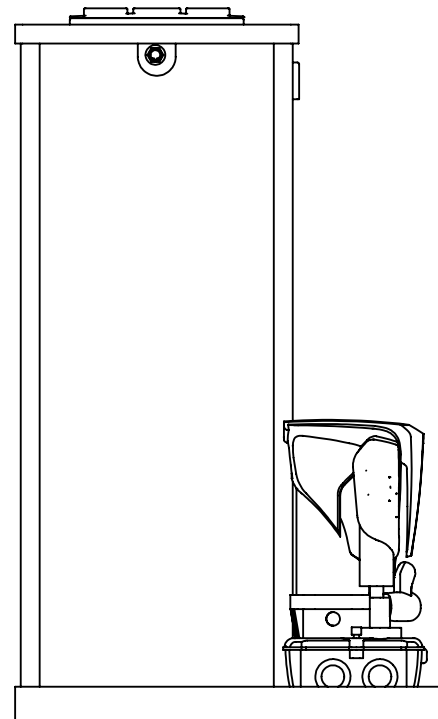
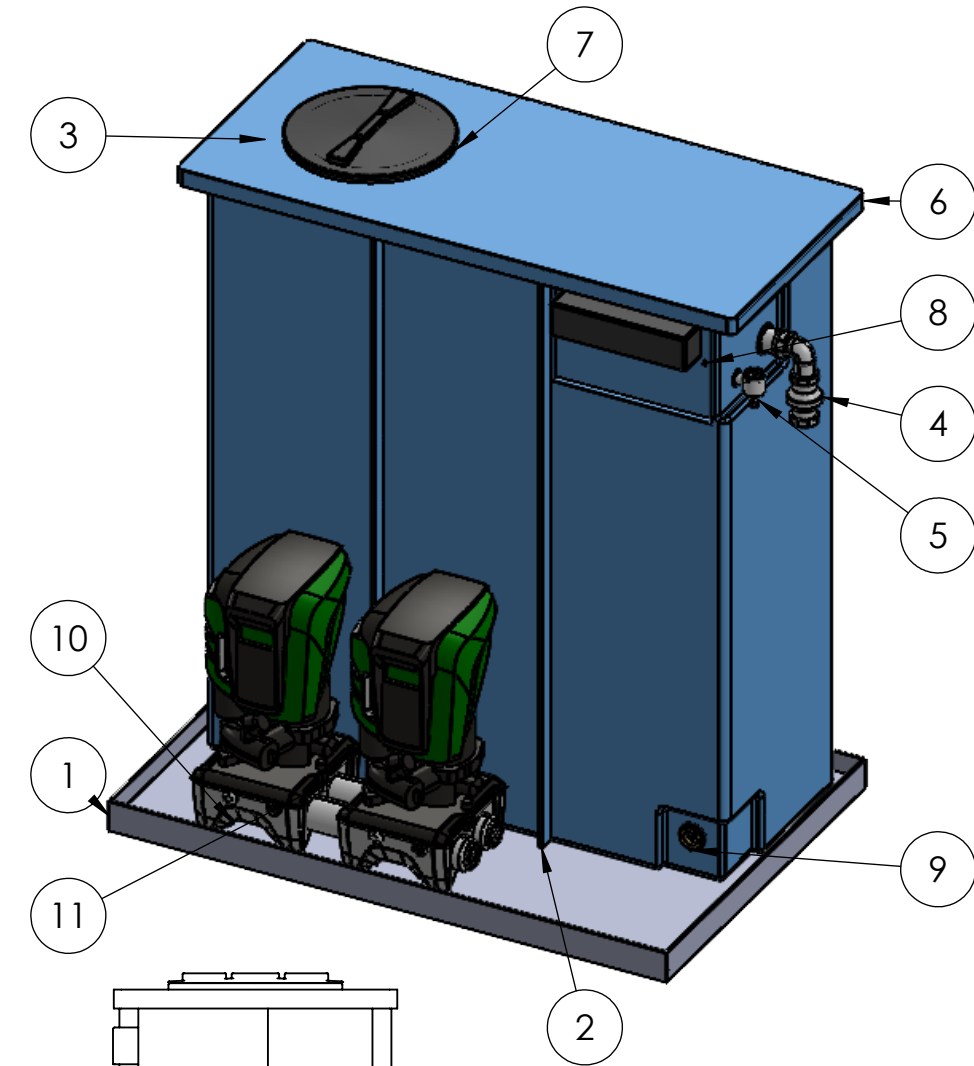
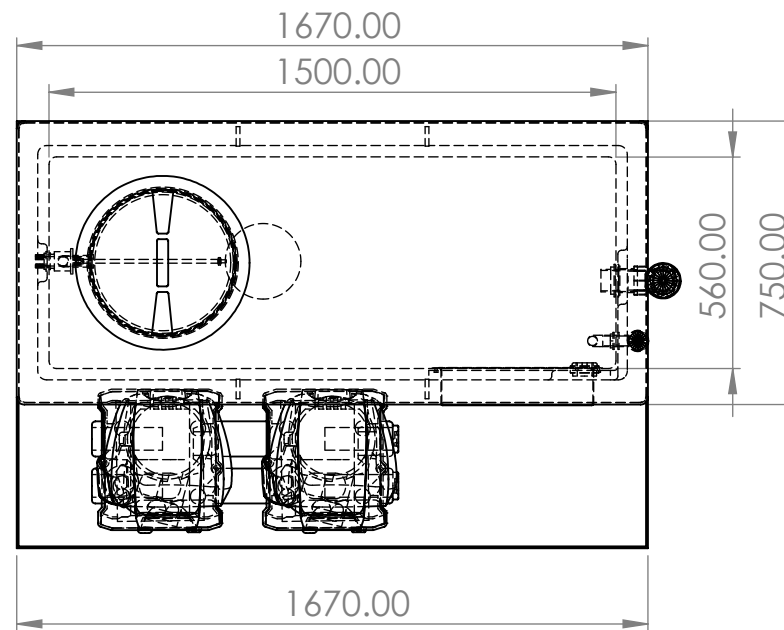


ITEM NO.	PART NUMBER	DESCRIPTION	QTY.
1	Dab 1500 Condense Tray	Ext Dims L/W/H 1670 x 1130 x 90mm	1
2	DAB1512 Tank	Int Dims L/W/H 1500 x 560 x 1800mm	1
3	25mm Equilibrium Valve	Complete with copper float	1
4	2 Inch Screened Overflow		1
5	22mm Warning Pipe		1
6	DAB1500 Preins Lid	Ext Dims L/W/H 1670 x 750 x 50mm	1
7	400 Round Hatch414		1
8	400x95ABWEIR		1
9	1.25 Inch Brass Essex	Tank Connector	1
10	60198332_STP.stp	-	1
11	60195100_60199035_60199039_STP.stp	-	2

DAB1512AB + Eskybox Max 2



All Provisions are shown in standard locations
 If required differently Please amend prior to order
 I am signing to approve this drawing to progress my order into the build program
 I accept that I cannot cancel this order following my signature of approval

Name	Signature	Drawing approval date

DAB Pumps LTD
 Unit 6 Gilbert Court
 Newcomen Way
 Severalls Park
 Colchester
 CO4 9WN
[WWW.dabpumps.com](http://www.dabpumps.com)

