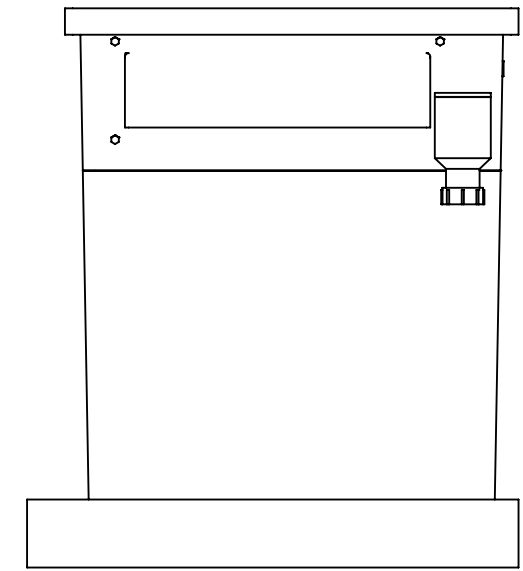
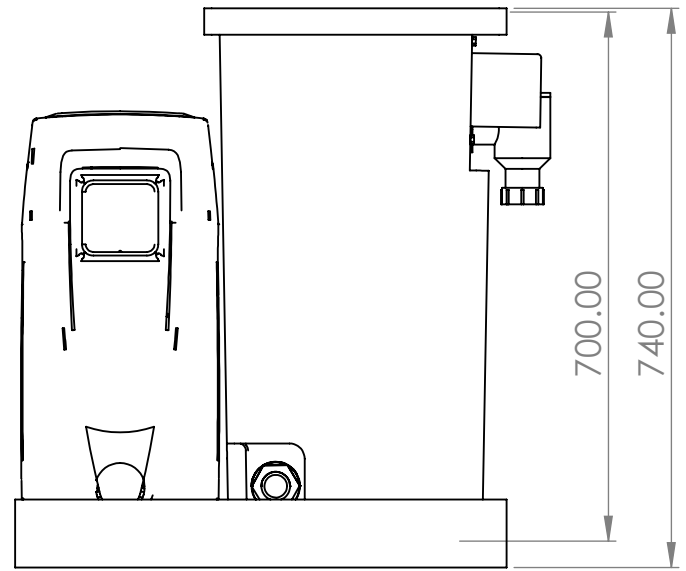
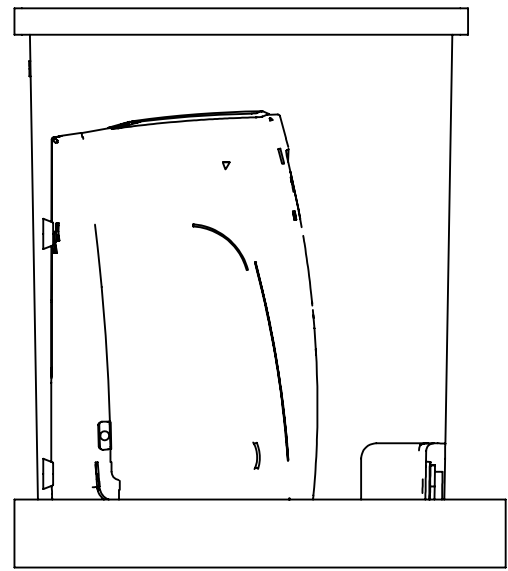
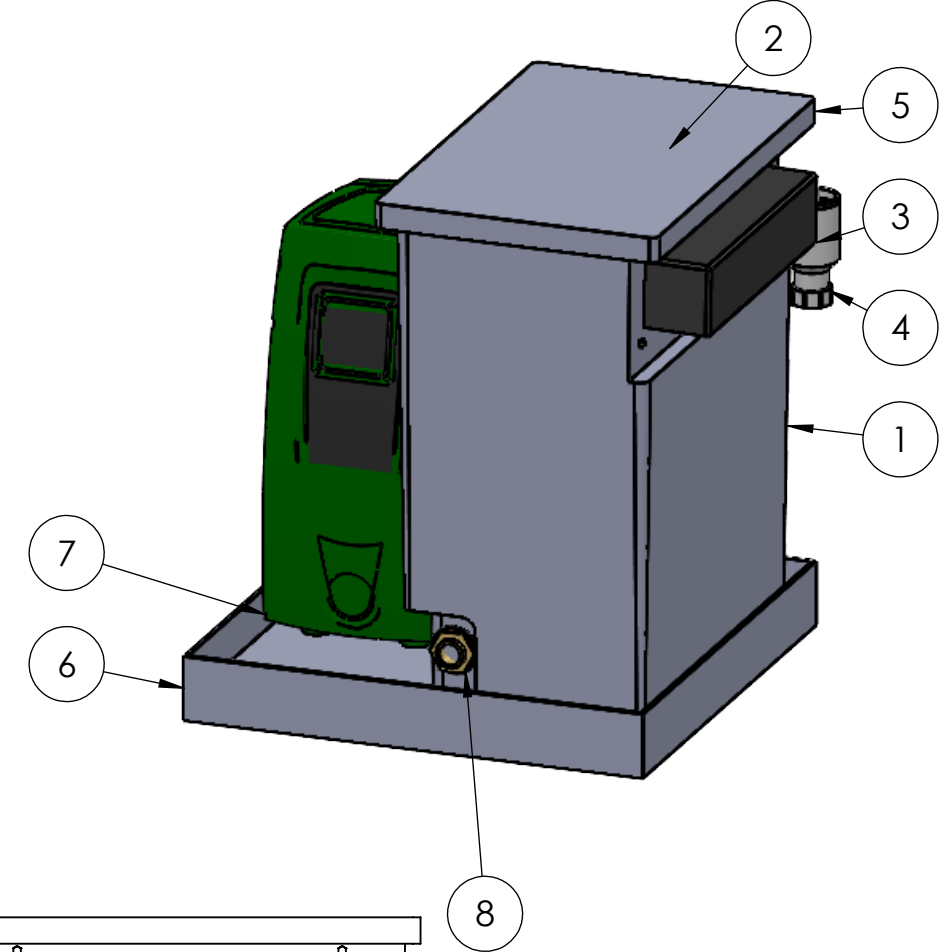
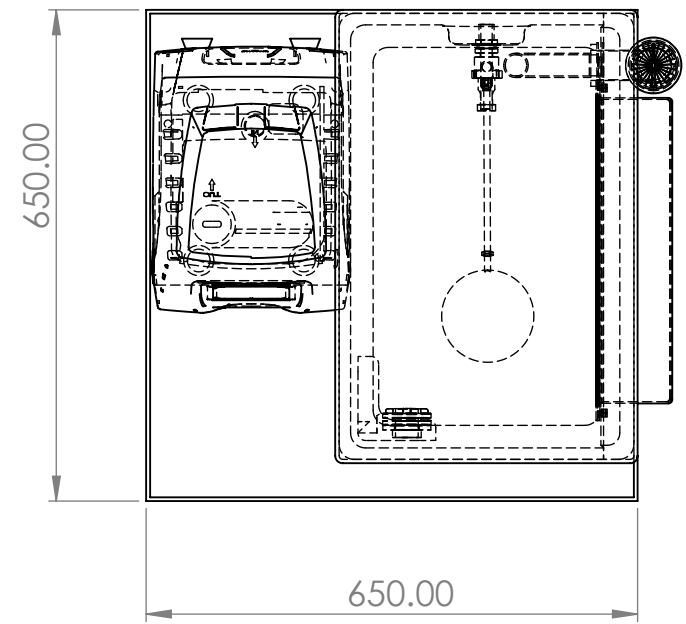


ITEM NO.	PART NUMBER	DESCRIPTION	QTY.
1	DAB 65Actual Tank	Int Dims L/W/H 490 X 290 X 700MM	1
2	Half Inch Equilibrium	Complete with Copper float	1
3	400x95ABWEIR		1
4	1 Inch Overflow		1
5	Dab 65 Preins Lid	Ext Dims 600 x 400 x 35MM	1
6	Dab 65 Condense Tray	Ext Dims L/W/H 650 x 650 x 90MM	1
7	60147200 e.sybox.stp		1
8	1 Inch Brass Essex	Tank Connector	1

### DAB65 + Esybox



All Provisions are shown in standard locations  
 If required differently Please amend prior to order

I am signing to approve this drawing to progress my order into the build program  
 I accept that I cannot cancel this order following my signature of approval

Name	Signature	Drawing approval date

DAB Pumps LTD  
 Unit 6 Gilbert Court  
 Newcomen Way  
 Severalls Park  
 Colchester  
 CO4 9WN  
 WWW.dabpumps.com

