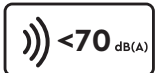


## AQUABOOST

### Booster Set (Horizontal Twin)

The Aquaboost Horizontal Booster Set offers variable speed twin pump units capable of boosting cold water at up to 30 m<sup>3</sup>/h or up to 9.2 bar pressure in light commercial applications.

Aquaboost Booster Sets can be configured for duty-assist or duty-standby modes.



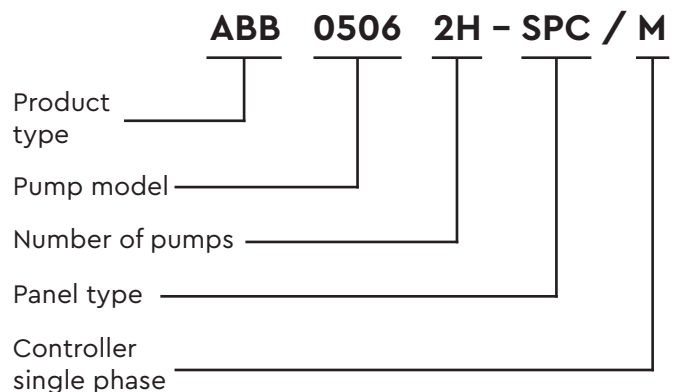
#### Features

- Heads up to 9.2 bar
- Flow rates up to 30 m<sup>3</sup>/h
- Variable speed pump control
- Duty-assist and duty-standby modes
- WRAS approved materials
- Continuously rated operation
- Stainless steel manifold assembly
- Anti-vibration mounting feet
- 24 litre pressure vessel included

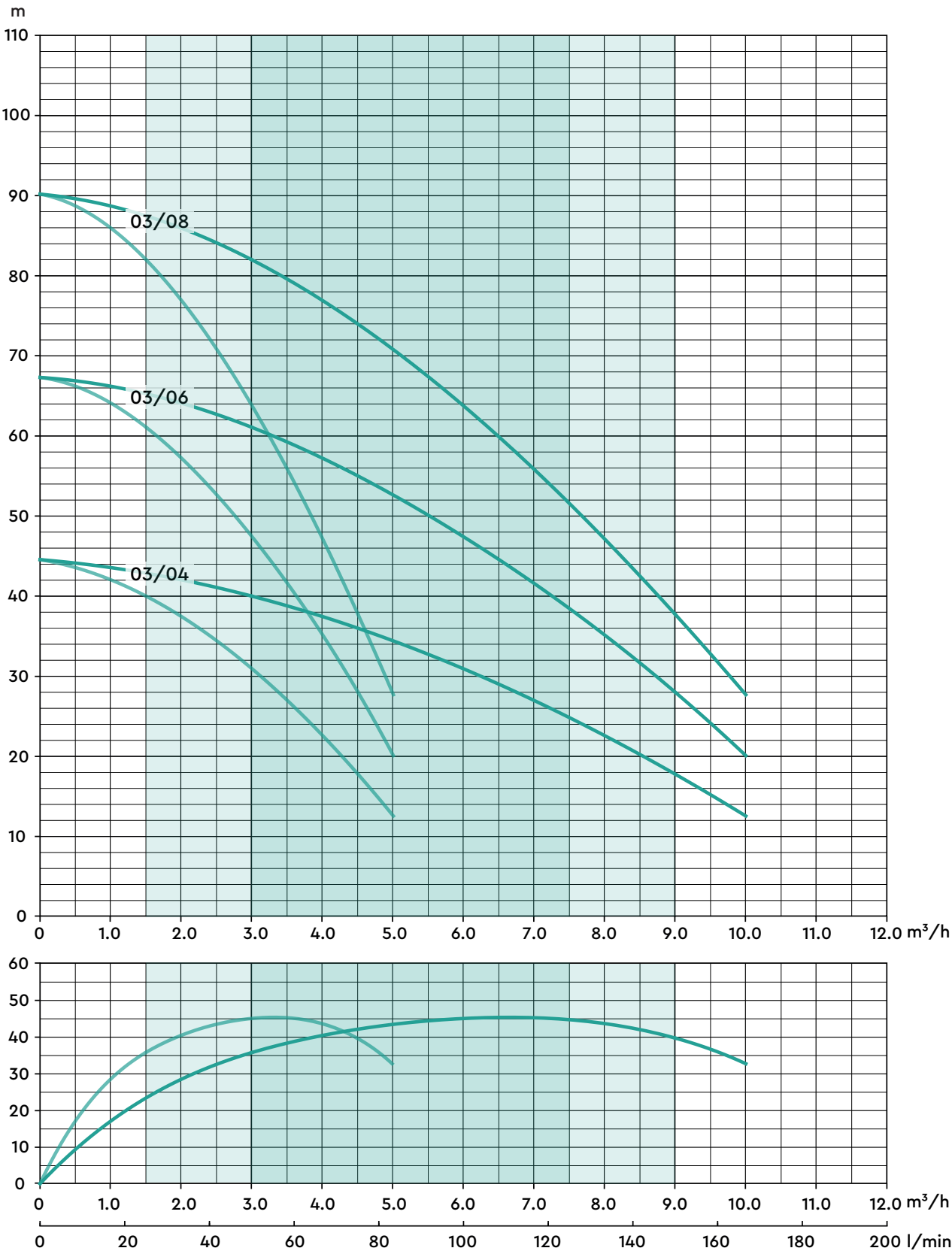
#### Application

- Cold water pressure and flow boosting in a range of domestic, commercial and industrial applications

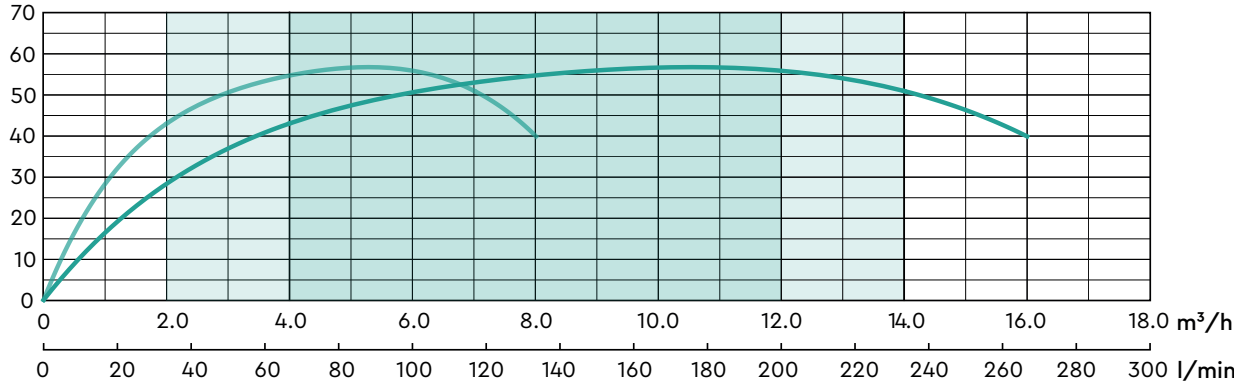
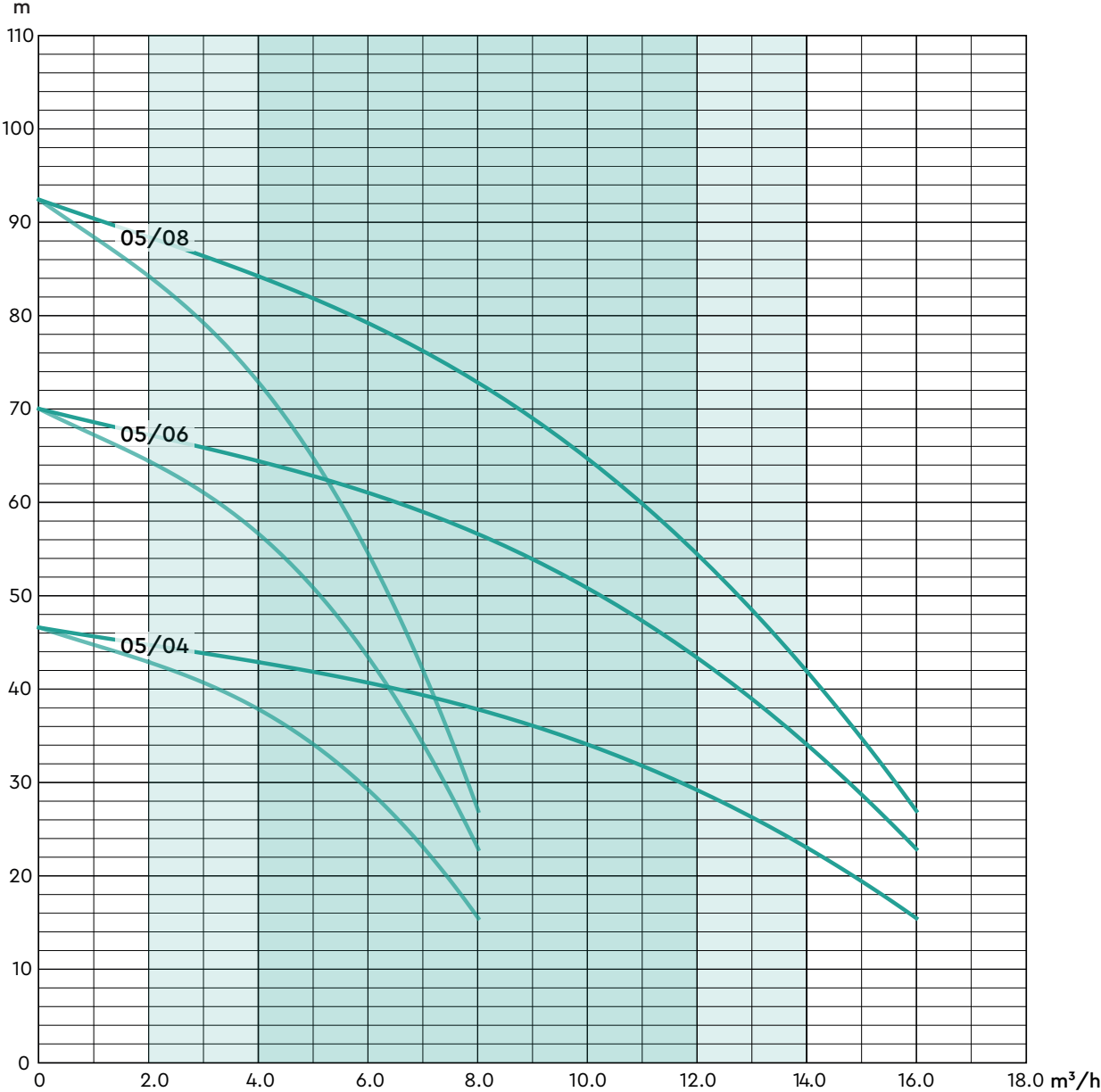
#### Product Code Structure



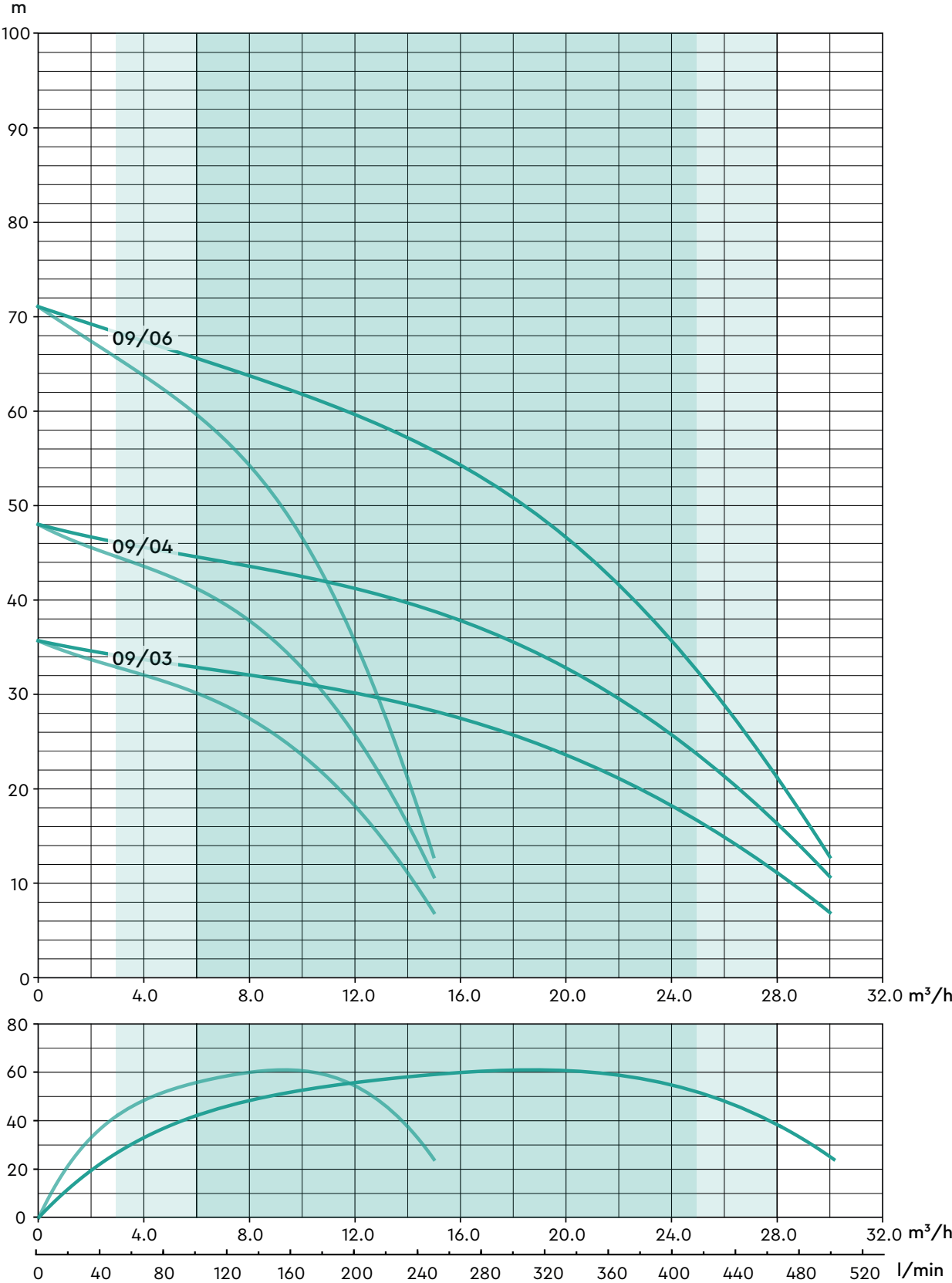
## Pump Characteristic (ABB 0304/06/08)



## Pump Characteristic (ABB 0504/06/08)



**Pump Characteristic (ABB 0903/04/06)**



## Technical Specification (ABB 0304/06/08)

Aquaboost Model		ABB 0304 2H-SPC/M 50 Hz 67203	ABB 0306 2H-SPC/M 50 Hz 67205	ABB 0308 2H-SPC/M 50 Hz 67207
General	Warranty	2 years		
	Approvals	UKCA, CE, WRAS Approved Materials		
Features	Pump control system	Variable speed (via pressure transducer)		
	Pump control mode	Duty / Standby or Duty / Assist		
	Dry run protection	✓	✓	✓
	Glycerine filled pressure gauge	✓	✓	✓
	Pump check valve(s)	✓	✓	✓
	BMS volt-free contacts	✓	✓	✓
	Pressure vessel	24 litres		
	Noise	<70 dB(A)		
Performance	Nominal head	3.0 bar	4.7 bar	6.4 bar
	Maximum head (closed valve)	4.4 bar	6.7 bar	9.0 bar
	Nominal flow rate	6.0 m <sup>3</sup> /h (3.0 m <sup>3</sup> /h per pump)		
	Maximum flow rate	10.0 m <sup>3</sup> /h (5.0 m <sup>3</sup> /h per pump)		
	Minimum static inlet pressure	0.1 bar		
	Maximum static inlet pressure	1 bar		
	Maximum static outlet pressure	1.3 bar		
	Maximum ambient air temperature	40 °C		
Connections	Inlet	2"		
	Outlet	1 ½"		
Manifold	Manifold construction	Stainless steel		
	Pump isolation valves	Full bore, lever, WRAS Approved		
Pump	Pump type	Centrifugal multistage		
	Pump body	Stainless steel		
	Impeller	Stainless steel		
	Mechanical seal	EPDM / Carbon / Ceramic		
	Motor type	Induction (current overload sensor)		
	Duty rating	Continuous		
Electrical	Power supply / phase / frequency	230 V a.c./1/50 Hz		
	Current – full load	5.8 Amps	7.6 Amps	10.6 Amps
Physical	Enclosure protection	IP55		
	Width	650 mm		
	Depth	780 mm	825 mm	875 mm
	Height	1050 mm		
	Weight	60 kg	65 kg	74 kg

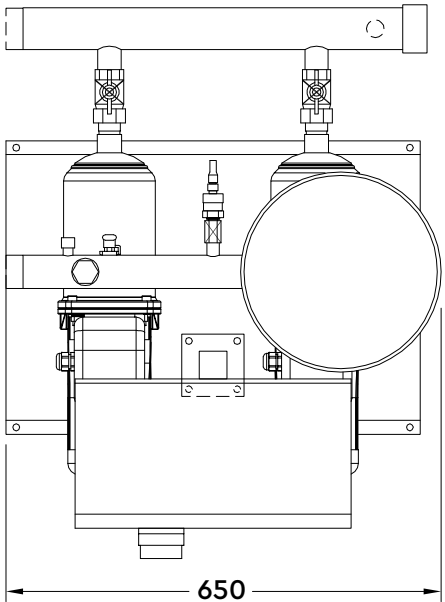
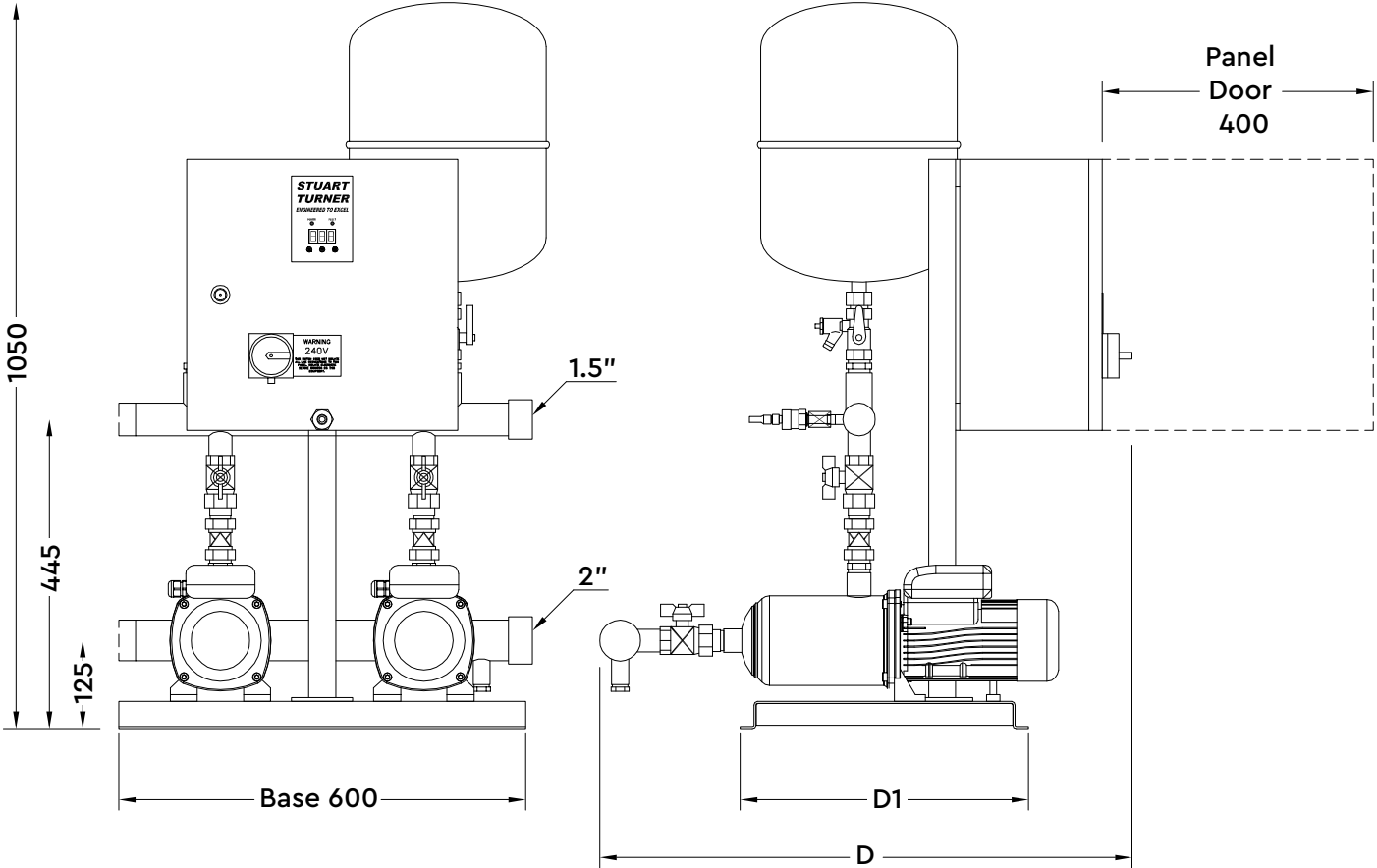
## Technical Specification (ABB 0504/06/08)

Aquaboost Model		ABB 0504 2H-SPC/M 50 Hz 67211	ABB 0506 2H-SPC/M 50 Hz 67213	ABB 0508 2H-SPC/M 50 Hz 67215
General	Warranty	2 year		
	Approvals	UKCA, CE, WRAS Approved Materials		
Features	Pump control system	Variable speed (via pressure transducer)		
	Pump control mode	Duty / Standby or Duty / Assist		
	Dry run protection	✓	✓	✓
	Glycerine filled pressure gauge	✓	✓	✓
	Pump check valve(s)	✓	✓	✓
	BMS volt-free contacts	✓	✓	✓
	Pressure vessel	24 litres		
	Noise	<70 dB(A)		
Performance	Nominal head	3.4 bar	5.0 bar	6.5 bar
	Maximum head (closed valve)	4.6 bar	7.0 bar	9.2 bar
	Nominal flow rate	10.0 m <sup>3</sup> /h (5.0 m <sup>3</sup> /h per pump)		
	Maximum flow rate	16.0 m <sup>3</sup> /h (8.0 m <sup>3</sup> /h per pump)		
	Minimum static inlet pressure	0.1 bar		
	Maximum static inlet pressure	1 bar		
	Maximum static outlet pressure	1.3 bar		
	Maximum ambient air temperature	40 °C		
Connections	Inlet	2"		
	Outlet	1 ½"		
Manifold	Manifold construction	Stainless steel		
	Pump isolation valves	Full bore, lever, WRAS Approved		
Pump	Pump type	Centrifugal multistage		
	Pump body	Stainless steel		
	Impeller	Stainless steel		
	Mechanical seal	EPDM / Carbon / Ceramic		
	Motor type	Induction (current overload sensor)		
	Duty rating	Continuous		
Electrical	Power supply / phase / frequency	230 V a.c./1/50 Hz		
	Current – full load	7.4 Amps	11.0 Amps	14.6 Amps
Physical	Enclosure protection	IP55		
	Width	650 mm		
	Depth	780 mm	825 mm	875 mm
	Height	1050 mm		
	Weight	61 kg	70 kg	82 kg

## Technical Specification (ABB 0903/04/06)

Aquaboost Model		ABB 0903 2H-SPC/M 50 Hz 67218	ABB 0904 2H-SPC/M 50 Hz 67219	ABB 0906 2H-SPC/M 50 Hz 67221
General	Warranty	2 years		
	Approvals	UKCA, CE, WRAS Approved Materials		
Features	Pump control system	Variable speed (via pressure transducer)		
	Pump control mode	Duty / Standby or Duty / Assist		
	Dry run protection	✓	✓	✓
	Glycerine filled pressure gauge	✓	✓	✓
	Pump check valve(s)	✓	✓	✓
	BMS volt-free contacts	✓	✓	✓
	Pressure vessel	24 litres		
	Noise	<70 dB(A)		
Performance	Nominal head	2.6 bar	3.6 bar	5.0 bar
	Maximum head (closed valve)	3.6 bar	4.8 bar	7.1 bar
	Nominal flow rate	18.0 m <sup>3</sup> /h (9.0 m <sup>3</sup> /h per pump)		
	Maximum flow rate	30.0 m <sup>3</sup> /h (15.0 m <sup>3</sup> /h per pump)		
	Minimum static inlet pressure	0.1 bar		
	Maximum static inlet pressure	1 bar		
	Maximum static outlet pressure	1.3 bar		
	Maximum ambient air temperature	40 °C		
Connections	Inlet	2½"		
	Outlet	2"		
Manifold	Manifold construction	Stainless steel		
	Pump isolation valves	Full bore, lever, WRAS Approved		
Pump	Pump type	Centrifugal multistage		
	Pump body	Stainless steel		
	Impeller	Stainless steel		
	Mechanical seal	EPDM / Carbon / Ceramic		
	Motor type	Induction (current overload sensor)		
	Duty rating	Continuous		
Electrical	Power supply / phase / frequency	230 V a.c./1/50 Hz		
	Current – full load	8.6 Amps	12.0 Amps	17.4 Amps
Physical	Enclosure protection	IP55		
	Width	650 mm		
	Depth	795 mm	825 mm	885 mm
	Height	1085 mm		
	Weight	63 kg	70 kg	84 kg

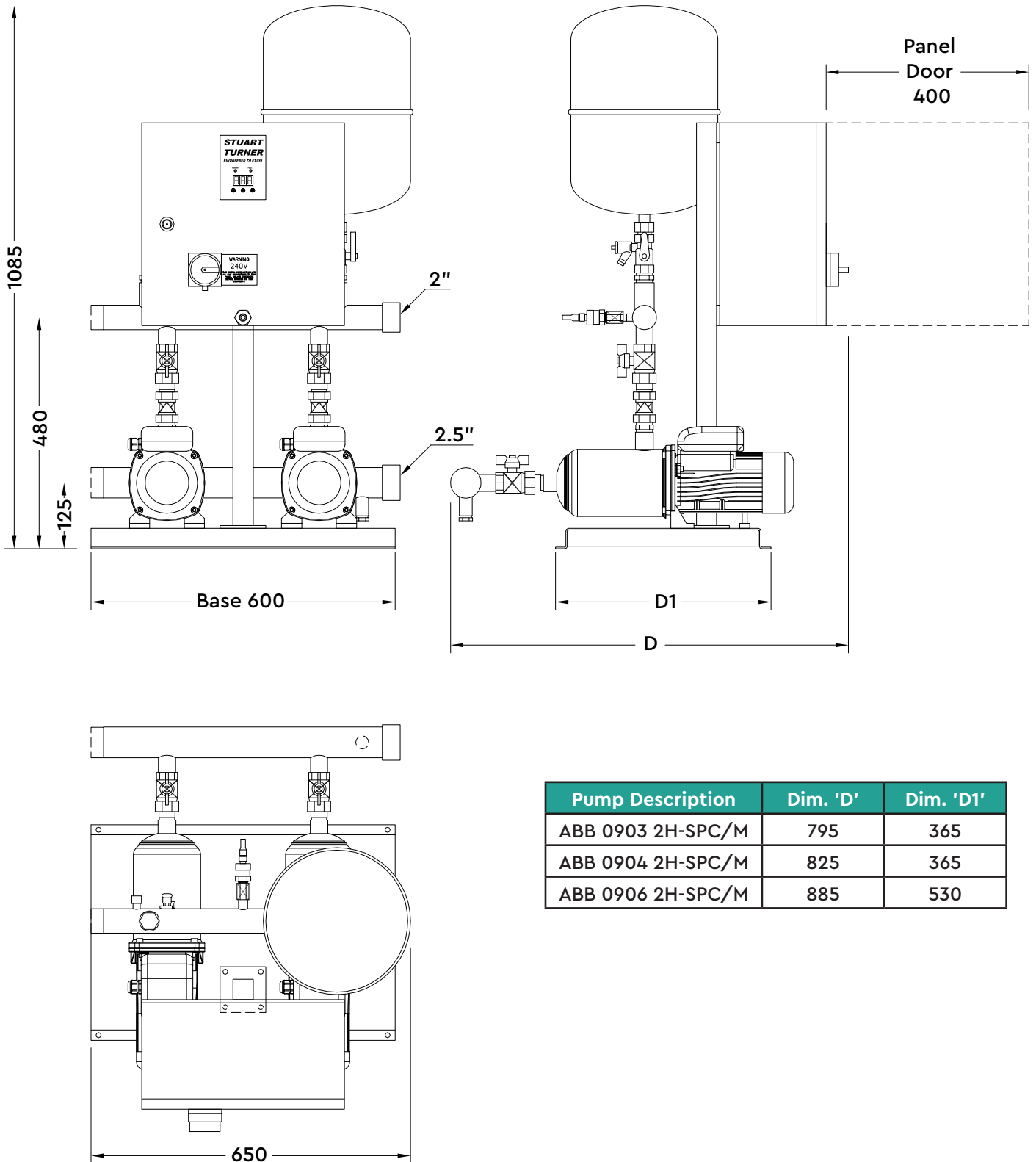
**Dimensions (ABB 03 & 05)**



Pump Description	Dim. 'D'	Dim. 'D1'
ABB 0304 2H-SPC/M	780	365
ABB 0306 2H-SPC/M	825	365
ABB 0308 2H-SPC/M	875	530
ABB 0504 2H-SPC/M	780	365
ABB 0506 2H-SPC/M	825	365
ABB 0508 2H-SPC/M	875	530



## Dimensions (ABB 09)



Pump Description	Dim. 'D'	Dim. 'D1'
ABB 0903 2H-SPC/M	795	365
ABB 0904 2H-SPC/M	825	365
ABB 0906 2H-SPC/M	885	530

Stuart Turner Limited reserves the right to amend specifications without notice.

Stuart Turner Ltd, Henley-on-Thames, Oxfordshire RG9 2AD Tel: +44 (0) 1491 572655 Fax: +44 (0) 1491 573704

TechAssist Helpline +44 (0) 800 31 969 80

[www.stuart-turner.co.uk](http://www.stuart-turner.co.uk)

Pt. No. 20682 Issue 4920/02-01