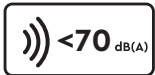


AQUABOOST

Booster Set (Horizontal Triple)

The Aquaboost Horizontal Booster Set offers variable speed triple pump units capable of boosting cold water at up to 45 m³/h or up to 9.2 bar pressure in light commercial applications.

Aquaboost Horizontal Triple Booster Sets can be configured in a range of duty, assist and standby modes.



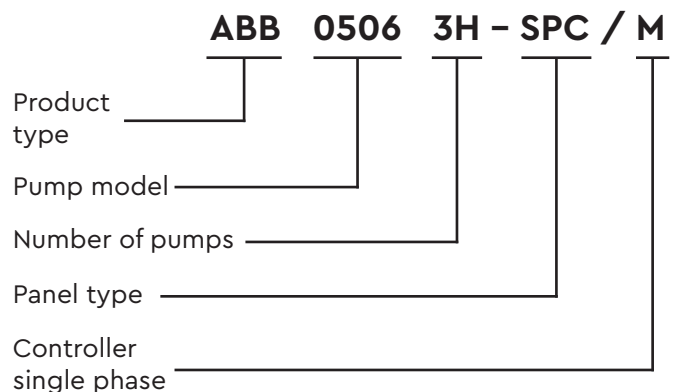
Features

- Heads up to 9.2 bar
- Flow rates up to 45 m³/h
- Variable speed pump control
- Duty-assist and duty-standby modes
- WRAS approved materials
- Continuously rated operation
- Stainless steel manifold assembly
- Anti-vibration mounting feet
- 24 litre pressure vessel included

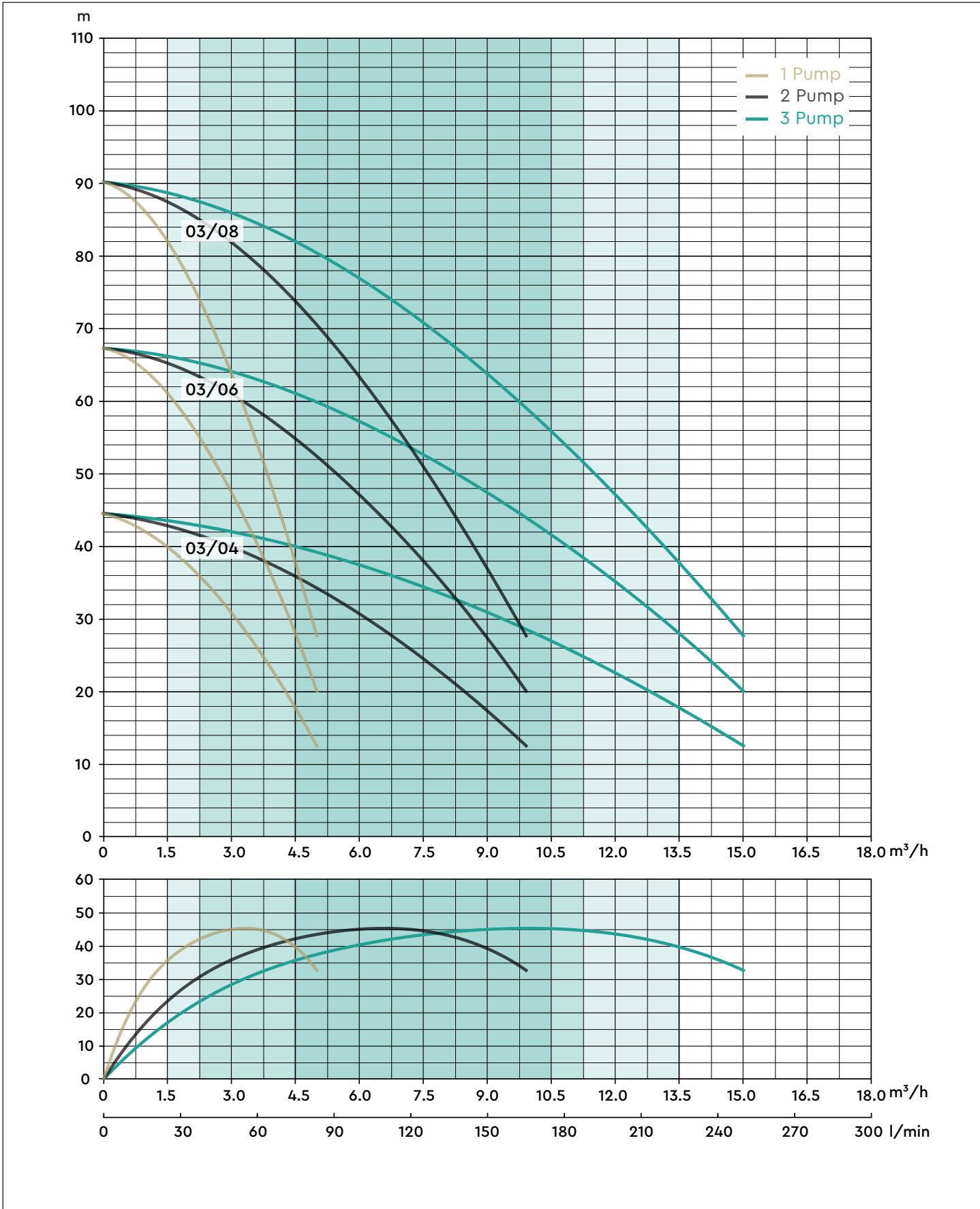
Application

- Cold water pressure and flow boosting in a range of domestic, commercial and industrial applications

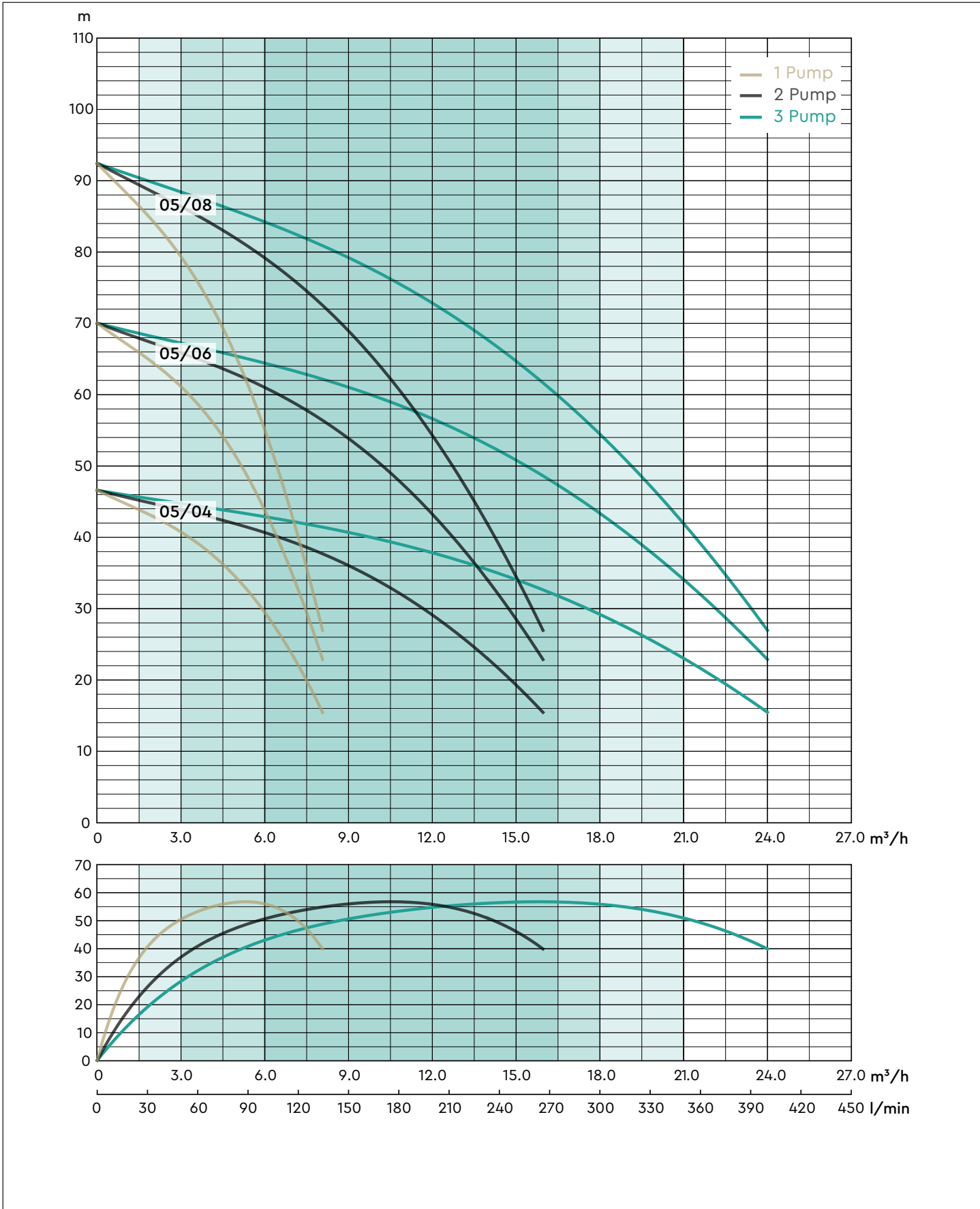
Product Code Structure



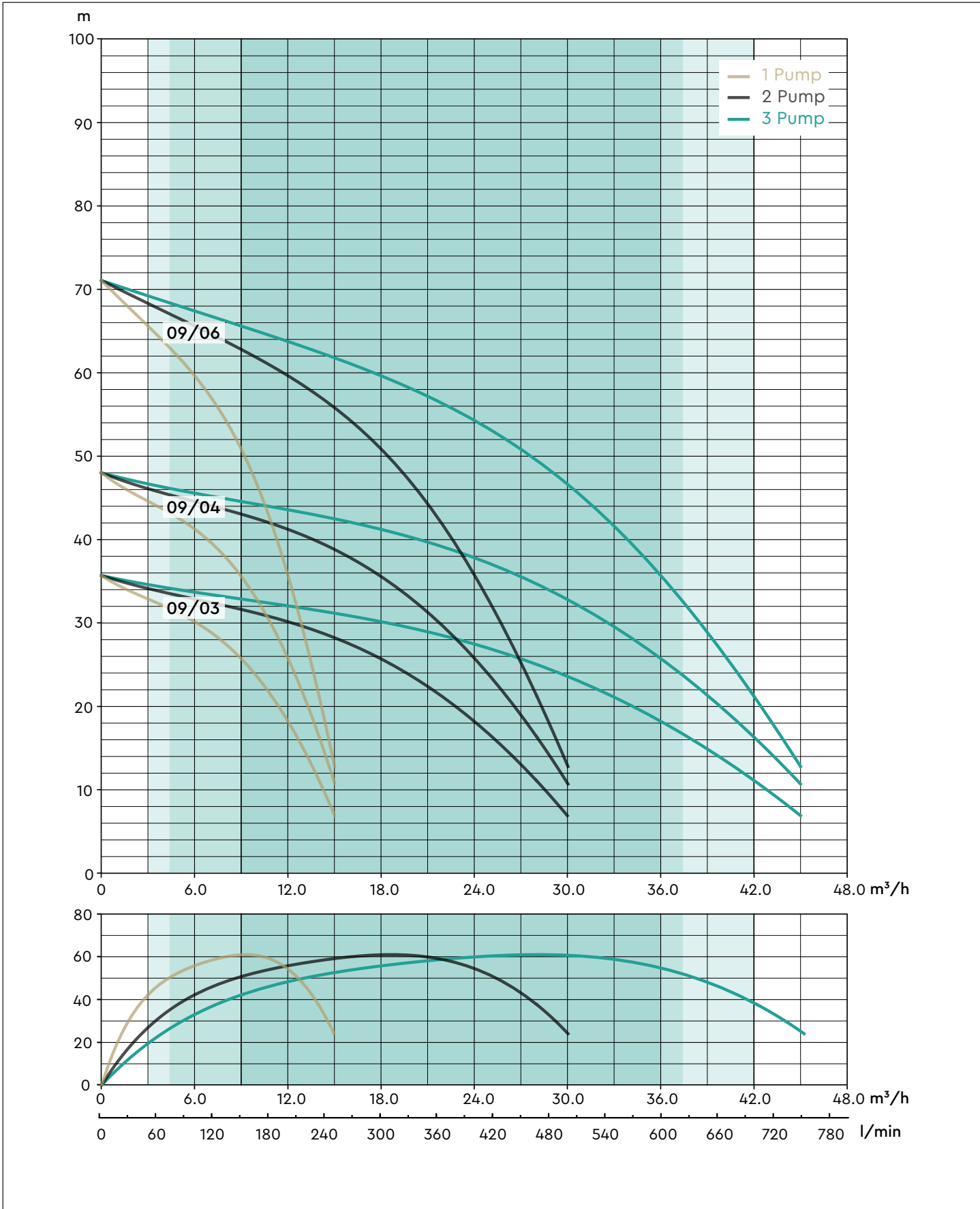
Pump Characteristic (ABB 0304/06/08)



Pump Characteristic (ABB 0504/06/08)



Pump Characteristic (ABB 0903/04/06)



Technical Specification (ABB 0304/06/08)

Aquaboost Model		ABB 0304 3H-SPC/M 50 Hz 67303	ABB 0306 3H-SPC/M 50 Hz 67305	ABB 0308 3H-SPC/M 50 Hz 67307
General	Warranty	2 years		
	Approvals	UKCA, CE, WRAS Approved Materials		
Features	Pump control system	Variable speed (via pressure transducer)		
	Pump control mode	Duty / Assist / Standby or Duty / Assist / Assist		
	Dry run protection	✓	✓	✓
	Glycerine filled pressure gauge	✓	✓	✓
	Pump check valve(s)	✓	✓	✓
	BMS volt-free contacts	✓	✓	✓
	Pressure vessel	24 litres		
	Noise	<70 dB(A)		
Performance	Nominal head	3.0 bar	4.7 bar	6.4 bar
	Maximum head (closed valve)	4.4 bar	6.7 bar	9.0 bar
	Nominal flow rate	9.0 m ³ /h (3.0 m ³ /h per pump)		
	Maximum flow rate	15.0 m ³ /h (5.0 m ³ /h per pump)		
	Minimum static inlet pressure	0.1 bar		
	Maximum static inlet pressure	1 bar		
	Maximum static outlet pressure	1.3 bar		
	Maximum ambient air temperature	40 °C		
Connections	Inlet	2"		
	Outlet	1½"		
Manifold	Manifold construction	Stainless steel		
	Pump isolation valves	Full bore, lever, WRAS Approved		
Pump	Pump type	Centrifugal multistage		
	Pump body	Stainless steel		
	Impeller	Stainless steel		
	Mechanical seal	EPDM / Carbon / Ceramic		
	Motor type	Induction (current overload sensor)		
	Duty rating	Continuous		
Electrical	Power supply / phase / frequency	230 V a.c./1/50 Hz		
	Current – full load	8.7 Amps	11.4 Amps	15.9 Amps
Physical	Enclosure protection	IP55		
	Width	900 mm		
	Depth	780 mm	825 mm	875 mm
	Height	1070 mm		
	Weight	82 kg	89 kg	102 kg

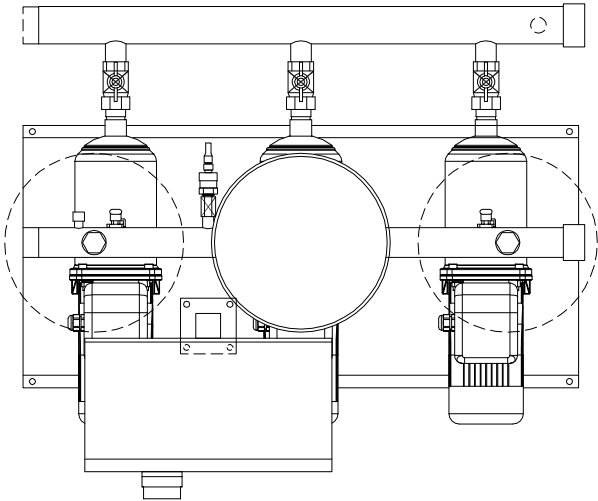
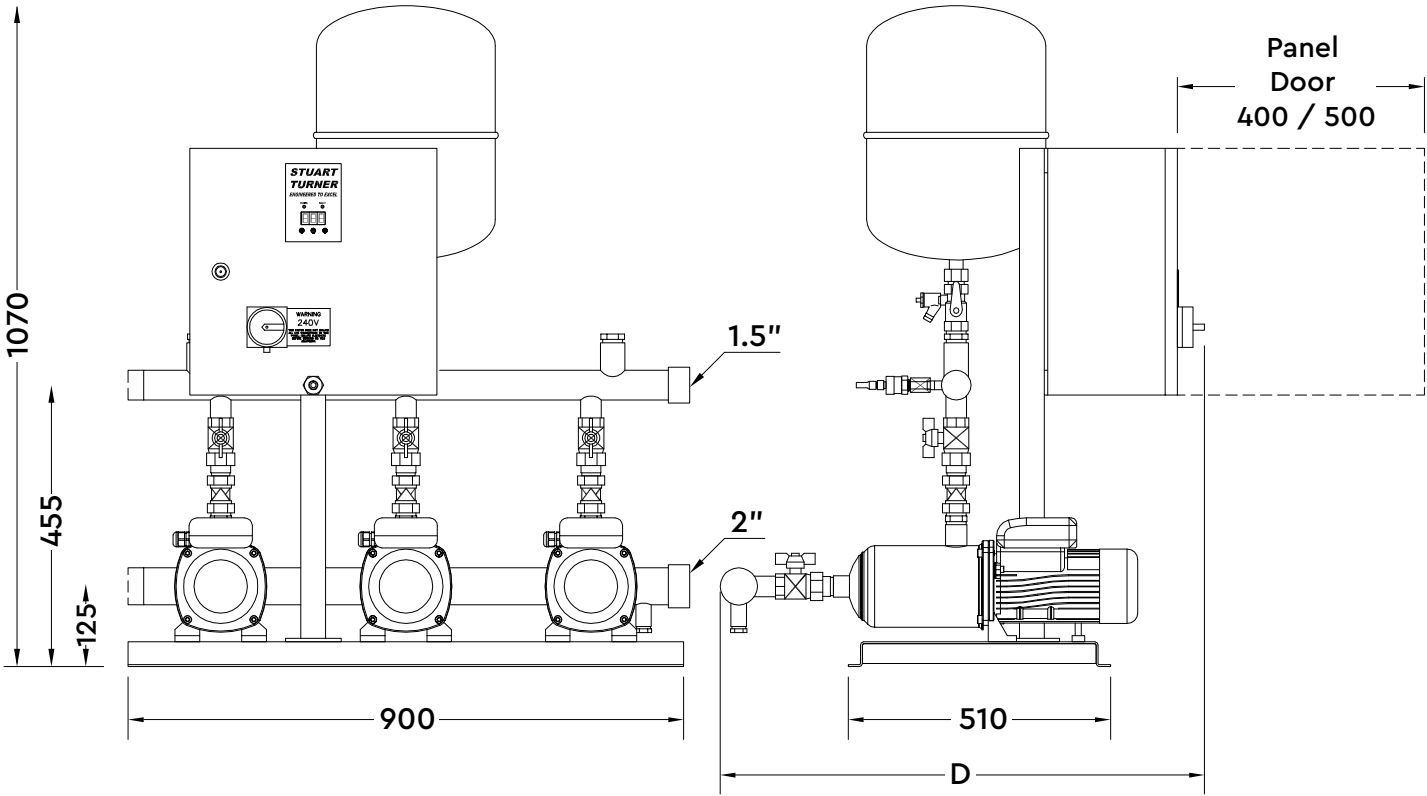
Technical Specification (ABB 0504/06/08)

Aquaboost Model		ABB 0504 3H-SPC/M 50 Hz 67311	ABB 0506 3H-SPC/M 50 Hz 67313	ABB 0508 3H-SPC/M 50 Hz 67315
General	Warranty	2 years		
	Approvals	UKCA, CE, WRAS Approved Materials		
Features	Pump control system	Variable speed (via pressure transducer)		
	Pump control mode	Duty / Assist / Standby or Duty / Assist / Assist		
	Dry run protection	✓	✓	✓
	Glycerine filled pressure gauge	✓	✓	✓
	Pump check valve(s)	✓	✓	✓
	BMS volt-free contacts	✓	✓	✓
	Pressure vessel	24 litres		
	Noise	<70 dB(A)		
Performance	Nominal head	3.4 bar	5.0 bar	6.5 bar
	Maximum head (closed valve)	4.6 bar	7.0 bar	9.2 bar
	Nominal flow rate	15.0 m ³ /h (5.0 m ³ /h per pump)		
	Maximum flow rate	24.0 m ³ /h (8.0 m ³ /h per pump)		
	Minimum static inlet pressure	0.1 bar		
	Maximum static inlet pressure	1 bar		
	Maximum static outlet pressure	1.3 bar		
	Maximum ambient air temperature	40 °C		
Connections	Inlet	2½"		
	Outlet	2"		
Manifold	Manifold construction	Stainless steel		
	Pump isolation valves	Full bore, lever, WRAS Approved		
Pump	Pump type	Centrifugal multistage		
	Pump body	Stainless steel		
	Impeller	Stainless steel		
	Mechanical seal	EPDM / Carbon / Ceramic		
	Motor type	Induction (current overload sensor)		
	Duty rating	Continuous		
Electrical	Power supply / phase / frequency	230 V a.c./1/50 Hz		
	Current – full load	11.1 Amps	16.5 Amps	21.9 Amps
Physical	Enclosure protection	IP55		
	Width	900 mm		
	Depth	800 mm	845 mm	895 mm
	Height	1070 mm		
	Weight	84 kg	97 kg	115 kg

Technical Specification (ABB 0903/04/06)

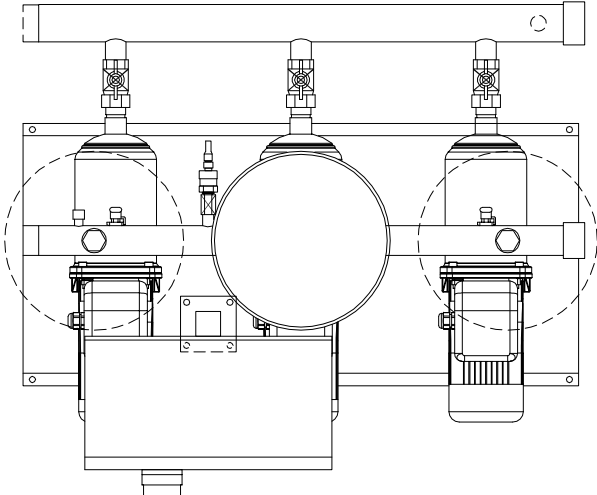
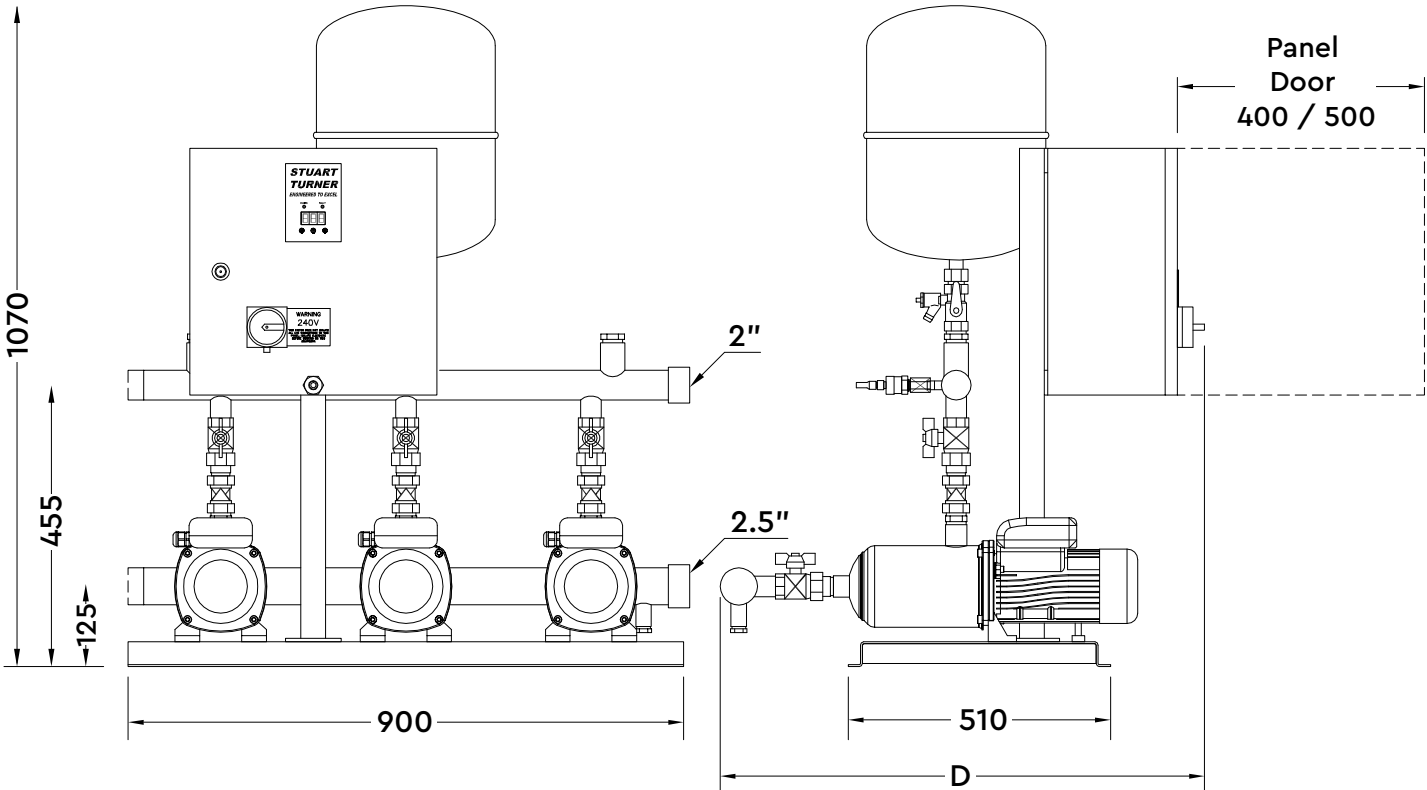
Aquaboost Model		ABB 0903 3H-SPC/M 50 Hz 67318	ABB 0904 3H-SPC/M 50 Hz 67319	ABB 0906 3H-SPC/M 50 Hz 67321
General	Warranty	2 years		
	Approvals	UKCA, CE, WRAS Approved Materials		
Features	Pump control system	Variable speed (via pressure transducer)		
	Pump control mode	Duty / Assist / Standby or Duty / Assist / Assist		
	Dry run protection	✓	✓	✓
	Glycerine filled pressure gauge	✓	✓	✓
	Pump check valve(s)	✓	✓	✓
	BMS volt-free contacts	✓	✓	✓
	Pressure vessel	24 litres		
	Noise	<70 dB(A)		
Performance	Nominal head	2.6 bar	3.6 bar	5.0 bar
	Maximum head (closed valve)	3.6 bar	4.8 bar	7.1 bar
	Nominal flow rate	27.0 m ³ /h (9.0 m ³ /h per pump)		
	Maximum flow rate	45.0 m ³ /h (15.0 m ³ /h per pump)		
	Minimum static inlet pressure	0.1 bar		
	Maximum static inlet pressure	1 bar		
	Maximum static outlet pressure	1.3 bar		
	Maximum ambient air temperature	40 °C		
Connections	Inlet	3"		
	Outlet	2½"		
Manifold	Manifold construction	Stainless steel		
	Pump isolation valves	Full bore, lever, WRAS Approved		
Pump	Pump type	Centrifugal multistage		
	Pump body	Stainless steel		
	Impeller	Stainless steel		
	Mechanical seal	EPDM / Carbon / Ceramic		
	Motor type	Induction (current overload sensor)		
	Duty rating	Continuous		
Electrical	Power supply / phase / frequency	230 V a.c./1/50 Hz		
	Current – full load	12.9 Amps	18.0 Amps	26.1 Amps
Physical	Enclosure protection	IP55		
	Width	900 mm		
	Depth	815 mm	845 mm	905 mm
	Height	1120 mm		
	Weight	85 kg	96 kg	117 kg

Dimensions (ABB 03)



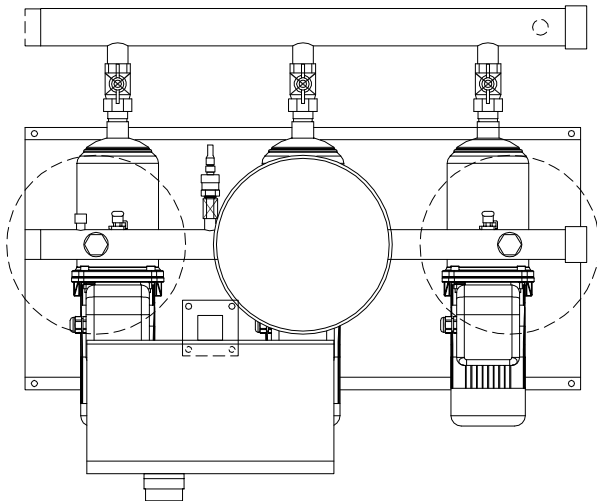
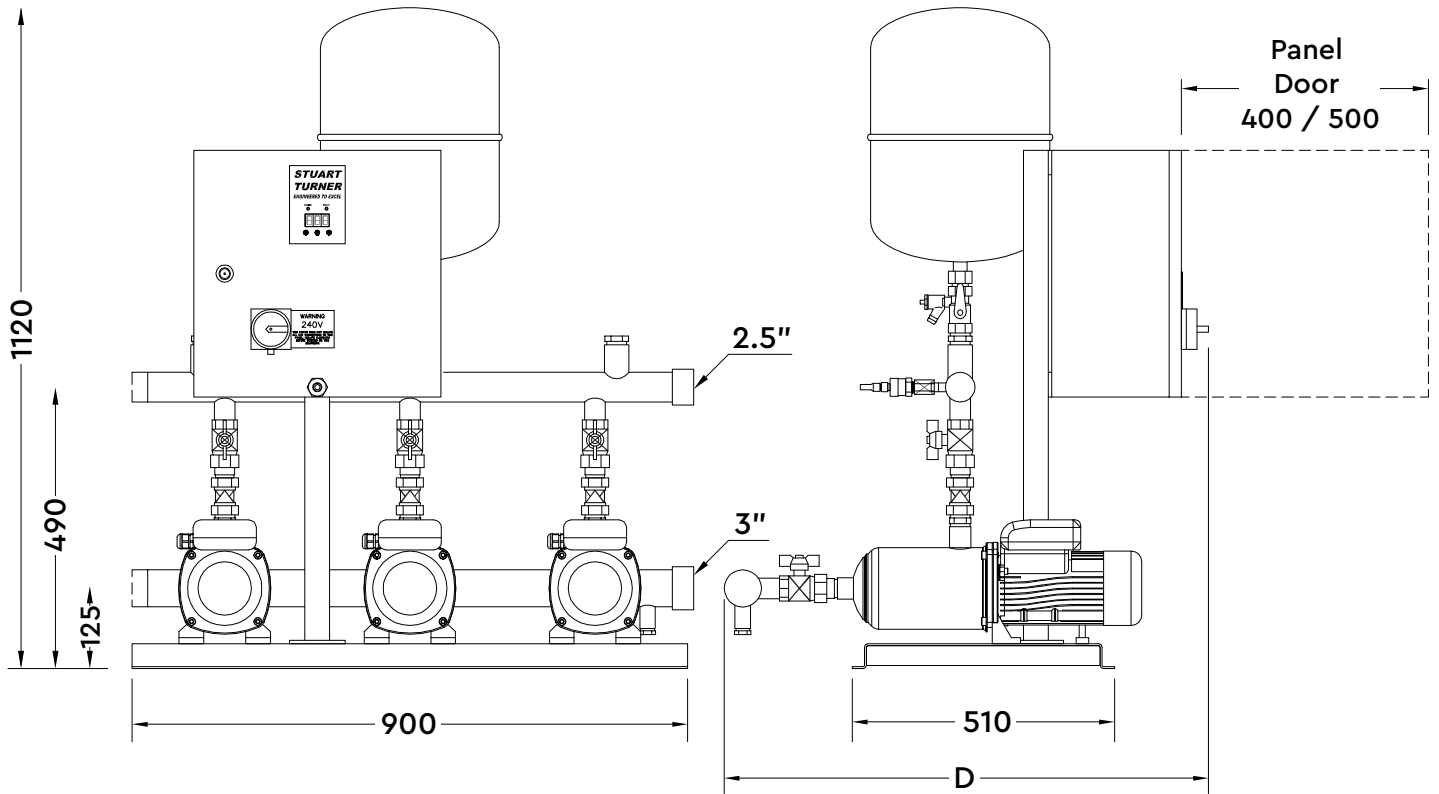
Pump Description	Dim. 'D'
ABB 0304 3H-SPC/M	780
ABB 0306 3H-SPC/M	825
ABB 0308 3H-SPC/M	875

Dimensions (ABB 05)



Pump Description	Dim. 'D'
ABB 0504 3H-SPC/M	800
ABB 0506 3H-SPC/M	845
ABB 0508 3H-SPC/M	895

Dimensions (ABB 09)



Pump Description	Dim. 'D'
ABB 0903 3H-SPC/M	815
ABB 0904 3H-SPC/M	845
ABB 0906 3H-SPC/M	905

Stuart Turner Limited reserves the right to amend specifications without notice.

Stuart Turner Ltd, Henley-on-Thames, Oxfordshire RG9 2AD Tel: +44 (0) 1491 572655 Fax: +44 (0) 1491 573704

TechAssist Helpline +44 (0) 800 31 969 80

www.stuart-turner.co.uk

Pt. No. 20684 Issue 4920/02-01